

CITY OF SACRAMENTO

Permit No: 9804870

1231 I Street, Sacramento, CA 95814

Insp Area: 2

Site Address: 15 PRINCEVILLE CR SAC

Sub-Type: RES

Parcel No: 0310500032

Housing (Y/N): N

CONTRACTOR

ZIMMERMAN ROOFING
3560 RAMONA AV
SACRAMENTO, CA

95826

OWNER

JUGUM GARY J
15 PRINCEVILLE CR
SACRAMENTO CA

95831

ARCHITECT

Nature of Work: T/O AND REROOF 43 SQS WITH TILE

CONSTRUCTION LENDING AGENCY : I hereby affirm under penalty of perjury that there is a construction lending agency for the performance of the work for which this permit is issued (Sec. 3097, Civ. C).

Lender's Name Lender's Address

LICENSED CONTRACTORS DECLARATION: I hereby affirm under penalty of perjury that I am licensed under provisions of Chapter 9 (commencing with section 7000) of Division 3 of the Business and Professions Code and my license is in full force and effect.

License Class C39 License Number 557559 Date 6-4-98 Contractor Signature [Signature]

OWNER-BUILDER DECLARATION: I hereby affirm under penalty of perjury that I am exempt from the contractors License Law for the following reason (Sec. 7031.5, Business and Professions Code; any city or county which requires a permit to construct, alter, improve, demolish, or repair any structure, prior to its issuance, also requires the applicant for such permit to file a signed statement that he or she is licensed pursuant to the provisions of the Contractors License Law (Chapter 9 (commencing with Section 7000) of Division 8 of the Business and Professions Code) or that he or she is exempt therefrom and the basis for the alleged exemption. Any violation of Section 7031.5 by any applicant for a permit subjects the applicant to a civil penalty of not more than five hundred dollars (\$500.00);

I, as a owner of the property, or my employees with wages as their sole compensation, will do the work, and the structure is not intended or offered for sale (Sec. 7044, Business and Professional Code: The Contractors License Law does not apply to an owner of property who builds or improves thereon, and who does such work himself or herself or through his/her own employees, provided that such improvements are not intended or offered for sale. If, however, the building or improvement is sold within one year of completion, the owner-builder will have the burden of proving that he/she did not build or improve for the purpose of sale.)

I, as owner of the property, am exclusively contracting with licensed contractors to construct the project (Sec. 7044, Business and Professions Code: The Contractors License Law does not apply to an owner of property who builds or improves thereon, and who contracts for such projects with a contractor(s) licensed pursuant to the Contractors License Law).

I am exempt under Sec. B & PC for this reason:

Date Owner Signature

IN ISSUING THIS BUILDING PERMIT, the applicant represents, and the city relies on the representation of the applicant, that the applicant verified all measurements and locations shown on the application or accompanying drawings and that the improvement to be constructed does not violate any law or private agreement relating to permissible or prohibited locations for such improvements. This building permit does not authorize any illegal location of any improvement or the violation of any private agreement relating to location of improvements.

I certify that I have read this application and state that all information is correct. I agree to comply with all city and county ordinances and state laws relating to building construction and hereby authorize representative(s) of this city to enter upon the abovementioned property for inspection purposes.

Date 6-4-98 Applicant/Agent Signature [Signature]

WORKER'S COMPENSATION DECLARATION: I hereby affirm under penalty of perjury one of the following declarations:

I have and will maintain a certificate of consent to self-insure for workers' compensation as provided for by Section 3700 of the Labor Code, for the performance of work for which the permit is issued.

X I have and will maintain workers' compensation insurance, as required by Section 3700 of the Labor Code, for the performance of the work for which this permit is issued. My workers' compensation insurance carrier and policy number are:

Carrier State Fund Policy Number 713 970002024

(This section need not be completed if the permit is for \$100 or less) I certify that in the performance of the work for which this permit is issued, I shall not employ any person in any manner so as to become subject to the workers' compensation laws of California and agree that if I should become subject to the workers' compensation provisions of Section 3700 of the Labor Code, I shall forthwith comply with those provisions.

Date 6-4-98 Applicant Signature [Signature]

WARNING: FAILURE TO SECURE WORKER'S COMPENSATION COVERAGE IS UNLAWFUL AND SHALL SUBJECT AN EMPLOYER TO CRIMINAL PENALTIES AND CIVIL FINES UP TO ONE HUNDRED THOUSAND DOLLARS (\$100,000) IN ADDITION TO THE COST OF COMPENSATION, DAMAGES AS PROVIDED FOR IN SECTION 3706 OF THE LABOR CODE, INTEREST AND ATTORNEY'S FEE.

THIS PERMIT SHALL EXPIRE BY LIMITATION IF WORK IS NOT COMMENCED WITHIN 180 DAYS.



DEPARTMENT OF  
PLANNING AND DEVELOPMENT

CITY OF SACRAMENTO  
CALIFORNIA

1231 I STREET  
ROOM 200  
SACRAMENTO, CA  
95814-2998

Permit Services  
916-264-7619  
FAX 916-264-7096

Jugum at  
15 Princeton

TILE ROOF WORKSHEET

This worksheet must be filled out whenever any type of tile roof is applied for.

If the answer to question #5 is yes, a written engineering report from a registered engineer must be provided with each application.

- 1 BRAND AND MODEL OF TILE Pioneer Everwest Tile
- 2 TILE WEIGHT PER SQUARE 730
- 3 WEIGHT OF ROOF SYSTEM PER SQUARE 180
- 4 TOTAL WEIGHT OF ROOF SYSTEM 910 lbs
- 5 DOES TOTAL WEIGHT OF ROOF SYSTEM EXCEED 750# PER SQUARE?  YES  NO
- 6 ROOF SLOPE 4/12

PLEASE PROVIDE A SEPARATE WORKSHEET FOR EACH APPLICATION INVOLVING A TILE ROOF.

*see attached engineering report*

JUGEM

OK  
47  
6/4/98

Paul Zacher-Structural Engineer  
4701 Lakeside Way  
Fair Oaks, CA 95628  
TEL: 916.961.3960  
FAX: 916.961.3960

May 27, 1998

Zimmerman Roofing  
3560 Ramona Avenue  
Sacramento, CA 95826  
TEL: 916.454.3667  
FAX: 916.455.3784  
TEL (Jeff): 916.392.1971  
FAX (Jeff): 916.392.6853  
FAX (Framer) : 916.383.5308

Attn.: Mr. Jeff Tucker,

re: Job 98088: JUGEM

Subject: Structural Investigation Report of the Roof for the Residence located at 15 Princeville Circle, Sacramento, CA 95831.

As requested by Mr. Jeff Tucker, this is a report to determine what needs should be addressed to correct any structural deficiencies of the roof. Paul Zacher visited the site May 22, 1998. The investigation was made to determine the existing condition of the structure. All information, data and analysis contained within this report is based on the 1994 Uniform Building Code.

The following is based on visual observations with no subsurface investigation being made.

DESCRIPTION:

Type of Facility: Residence.  
Year Built: Estimated 1970's vintage.  
Occupancy: Residential.  
No. of Stories: One.  
Dimensions: Approximately 1800 square feet with a first story plate height of 8 feet.

CONSTRUCTION:

Roof:  
The roof covering will consist of Pioneer Everwest Light Weight Tile over 1/2" solid sheathing. The living area is conventionally framed with 2x6 rafters spaced at 24" on center with 2x6 purlins supported at no more than 6'-0" on center by 2x4 struts bearing on walls below except over the vaulted ceiling. The vaulted ceiling is constructed of 2x6 rafters spaced at 24" on center supported by a 6x14 beam at the ridge. The garage area is framed with 2x6 rafters spaced at 24" on center and 2x6 cross ties spaced at 4'-0" on center.

CONCLUSIONS:

Roof:

The living area has sufficient structural capacity for the applied live and dead loads. The garage lacks sufficient structural capacity for the applied live and dead loads.

RECOMMENDATIONS:

If any of the following recommendations do not correspond to actual field conditions, the engineer of record shall be notified for further investigation and evaluation before continuing work.

Garage:

1. Scab a 1 3/4" x 14" microlam beam to the existing 2x6 crossie and nail together with 16d's @ 12" oc staggered. The support at the walls of the shall be a 2x8 x 16" long nailer attached to the double top plate with 16d's @ 2" oc staggered. The top of the microlam may be "clipped" as required where the rafters meet the bearing wall. See details 1 and 2. Splice the 2x strong back as shown in detail 3.
2. Add 2x4 struts from the ridge/ hip/ valley connections to the beam below. The unbraced length of the struts shall not exceed 8'-0" and the minimum slope of the struts shall not be less than 45 degrees from the horizontal. See detail 1.

The inspection consisted of visual observation only, made solely to determine the structural capacity of the existing roof. Analysis does not determine any effects on the overall structure under lateral forces or effects on the foundation unless specifically noted in the calculations and in this document. No warranties, expressed or implied, are made or intended in conjunction with this report. The inspection was made only to the portions that were accessible. The specific items noted were those that were observable and there may be defects which are not observable, or are hidden by architectural and structural materials.

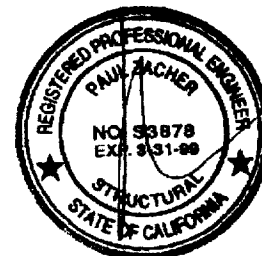
If you have any questions on the above, do not hesitate to call.

Sincerely,



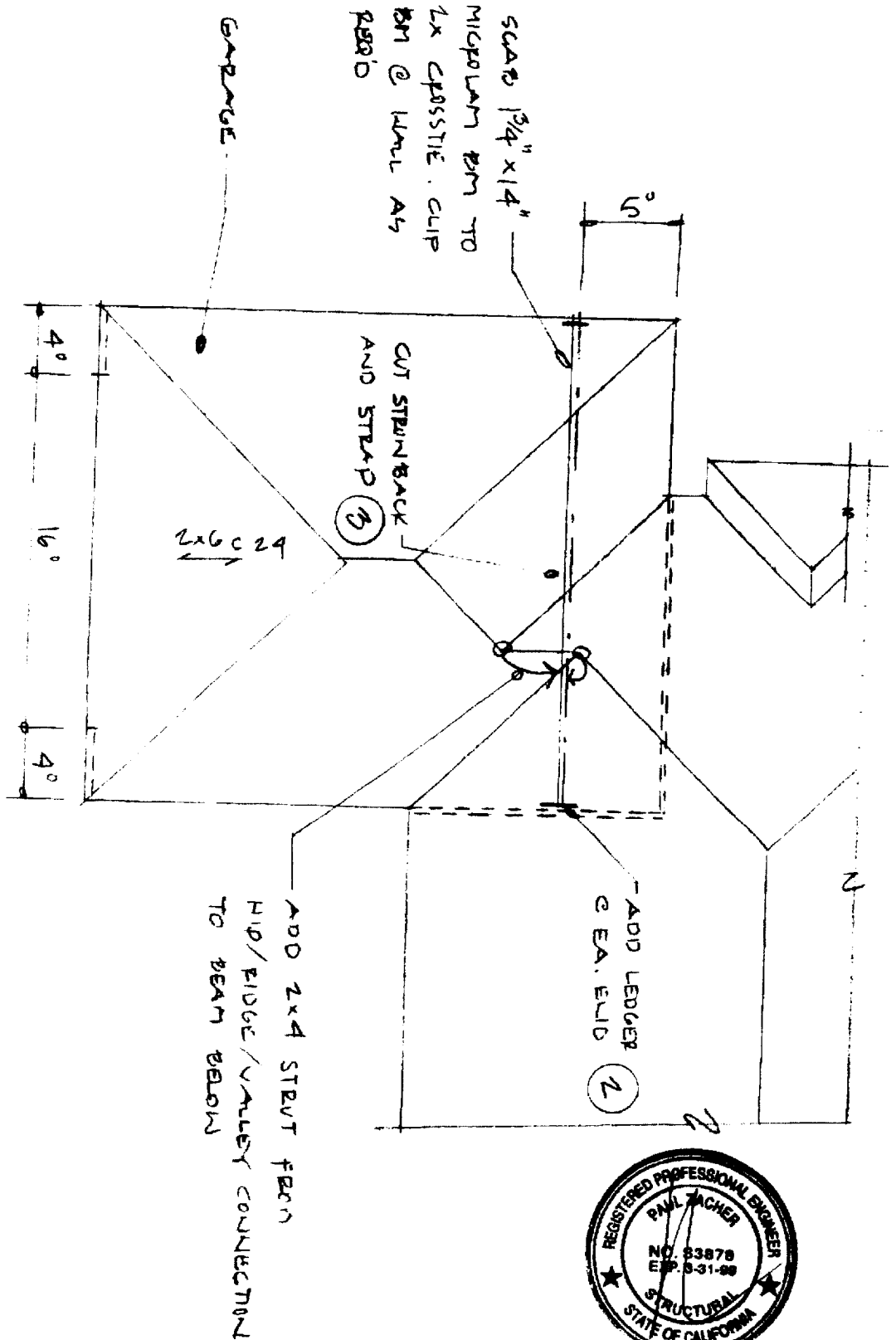
Paul Zacher, P.E., S.E.

file



80

1 PARTIAL ROOF PLAN



5

9

ledger.xls

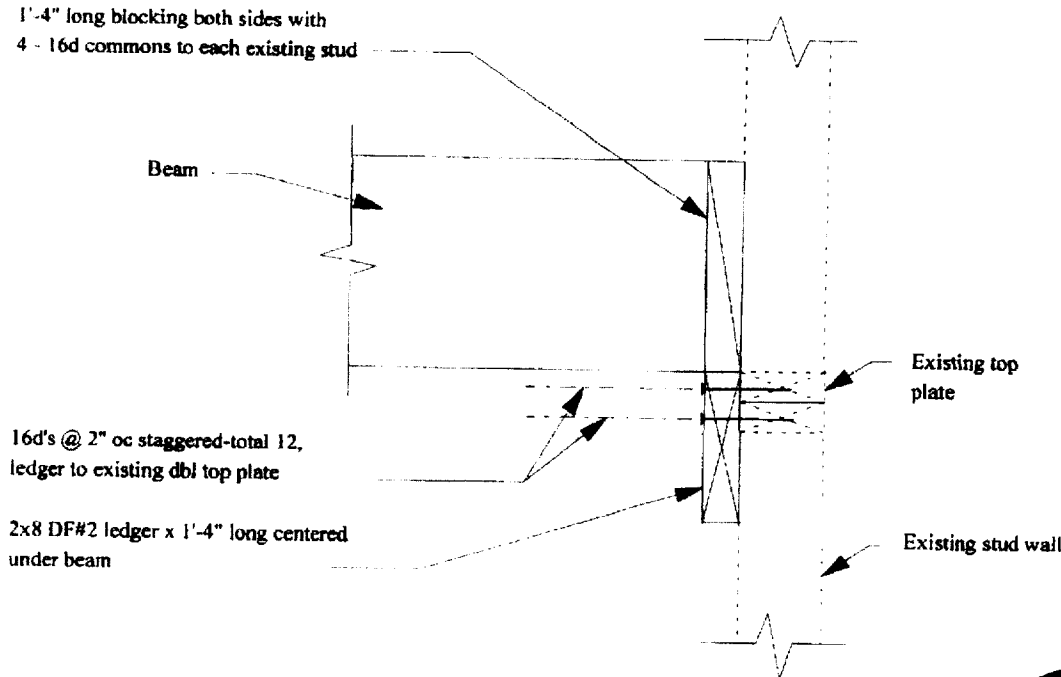
**LEDGER DESIGN:**

WOOD TO WOOD CONNECTION: Ledger to double top plate

Assumptions:

1. Point load from beam is equally distributed to each supporting stud.
2. Allowable foundation pressure is 1000 plf.

Ledger width, b	1.5 inches	
Ledger depth, d	7.25 inches	
Maximum reaction	1155 lbs	
Base design values:		
Shear, Fv	95 psi	
Bending, Fb	875 psi	
Comp. perp. to grain, Fc	625 psi	
Mod of elasticity, E	1600000 psi	
Load duration factor, Cd	1.25	
Size factor, Cf	1.20	
Allowable shear, Fv'	119 psi	Horizontal Shear OK
Actual shear, fv	64 psi	
Allowable bending, Fb'	1313 psi	Bending OK
Actual bending, fb	175 psi	
Length of ledger required	1.155 feet	
Length of ledger used	1.33 feet	
Number of nails required	15 16d sinkers ledger to top plate	



2

DETAIL  
N.T.S.



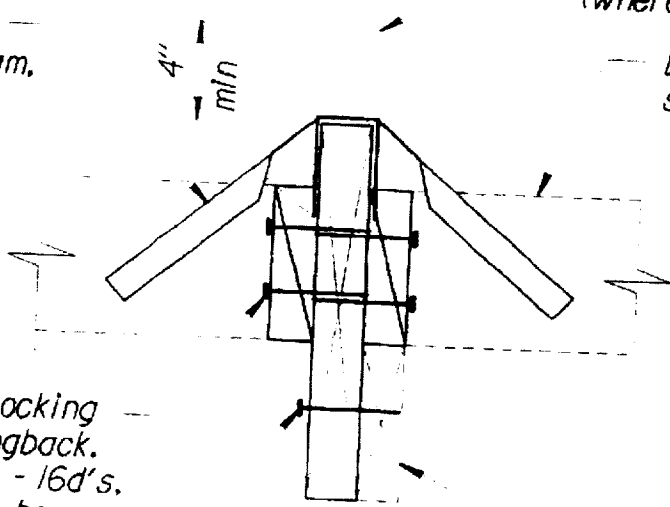
10

Simpson T518, ---  
strongback to beam,  
each side

Strut not shown  
(where occurs)

Existing 2x  
strongback

4"  
min



2x6 x 1'-0" long blocking ---  
both sides of strongback.  
Nail to beam w/ 4 - 16d's,  
typical each side of beam

Existing 2x cross tie  
or ceiling joist

Beam. Nail to cross tie/  
ceiling joist w/ 16d @ 12" oc



3

BEAM DETAIL

NO SCALE