

CITY OF SACRAMENTO

1231 I Street, Sacramento, CA 95814

Permit No: 0406707

Insp Area: 3

Thos Bros: 318C1

Site Address: 7300 FOLSOM BL SAC

Parcel No: 079-0222-016

Sub-Type: COM

Housing (Y/N): N

CONTRACTOR

PARK MECHANICAL
5001 24TH STREET
SACRAMENTO CA 95822

OWNER

A & E INVESTMENTS
2485 NATOMAS PK DR STE
SACRAMENTO CA 95833

ARCHITECT

Nature of Work: C/O 6 TON HVAC GAS/ELEC PACKAGE LIKE FOR LIKE

CONSTRUCTION LENDING AGENCY : I hereby affirm under penalty of perjury that there is a construction lending agency for the performance of the work for which this permit is issued (Sec. 3097, Civ. C).

Lender's Name Lender's Address

LICENSED CONTRACTORS DECLARATION: I hereby affirm under penalty of perjury that I am licensed under provisions of Chapter 9 (commencing with section 7000) of Division 3 of the Business and Professions Code and my license is in full force and effect.

License Class C-20 License Number 335561 Date 5/3/04 Contractor Signature [Signature]

OWNER-BUILDER DECLARATION: I hereby affirm under penalty of perjury that I am exempt from the contractors License Law for the following reason (Sec. 7031.5, Business and Professions Code; any city or county which requires a permit to construct, alter, improve, demolish, or repair any structure, prior to its issuance, also requires the applicant for such permit to file a signed statement that he or she is licensed pursuant to the provisions of the Contractors License Law (Chapter 9 (commencing with Section 7000) of Division 8 of the Business and Professions Code) or that he or she is exempt therefrom and the basis for the alleged exemption. Any violation of Section 7031.5 by any applicant for a permit subjects the applicant to a civil penalty of not more than five hundred dollars (\$500.00);

I, as a owner of the property, or my employees with wages as their sole compensation, will do the work, and the structure is not intended or offered for sale (Sec. 7044, Business and Professional Code: The Contractors License Law does not apply to an owner of property who builds or improves thereon, and who does such work himself or herself or through his/her own employees, provided that such improvements are not intended or offered for sale. If, however, the building or improvement is sold within one year of completion, the owner-builder will have the burden of proving that he/she did not build or improve for the purpose of sale.)

I, as owner of the property, am exclusively contracting with licensed contractors to construct the project (Sec. 7044, Business and Professions Code: The Contractors License Law does not apply to an owner of property who builds or improves thereon, and who contracts for such projects with a contractor(s) licensed pursuant to the Contractors License Law).

I am exempt under Sec. B & PC for this reason:

Date Owner Signature

IN ISSUING THIS BUILDING PERMIT, the applicant represents, and the city relies on the representation of the applicant, that the applicant verified all measurements and locations shown on the application or accompanying drawings and that the improvement to be constructed does not violate any law or private agreement relating to permissible or prohibited locations for such improvements. This building permit does not authorize any illegal location of any improvement or the violation of any private agreement relating to location of improvements.

I certify that I have read this application and state that all information is correct. I agree to comply with all city and county ordinances and state laws relating to building construction and herby authorize representative(s) of this city to enter upon the abovementioned property for inspection purposes.

Date 5/3/04 Applicant/Agent Signature [Signature]

WORKER'S COMPENSATION DECLARATION: I hereby affirm under penalty of perjury one of the following declarations:

I have and will maintain a certificate of consent to self-insure for workers' compensation as provided for by Section 3700 of the Labor Code, for the performance of work for which the permit is issued.

X I have and will maintain workers' compensation insurance, as required by Section 3700 of the Labor Code, for the performance of the work for which this permit is issued. My workers' compensation insurance carrier and policy number are:

Carrier STATE FUND Policy Number 692-01UNIT0002119 Exp Date 10/01/2004

(This section need not be completed if the permit is for \$100 or less) I certify that in the performance of the work for which this permit is issued, I shall not employ any person in any manner so as to become subject to the workers' compensation laws of California and agree that if I should become subject to the workers' compensation provisions of Section 3700 of the Labor Code, I shall forthwith comply with those provisions.

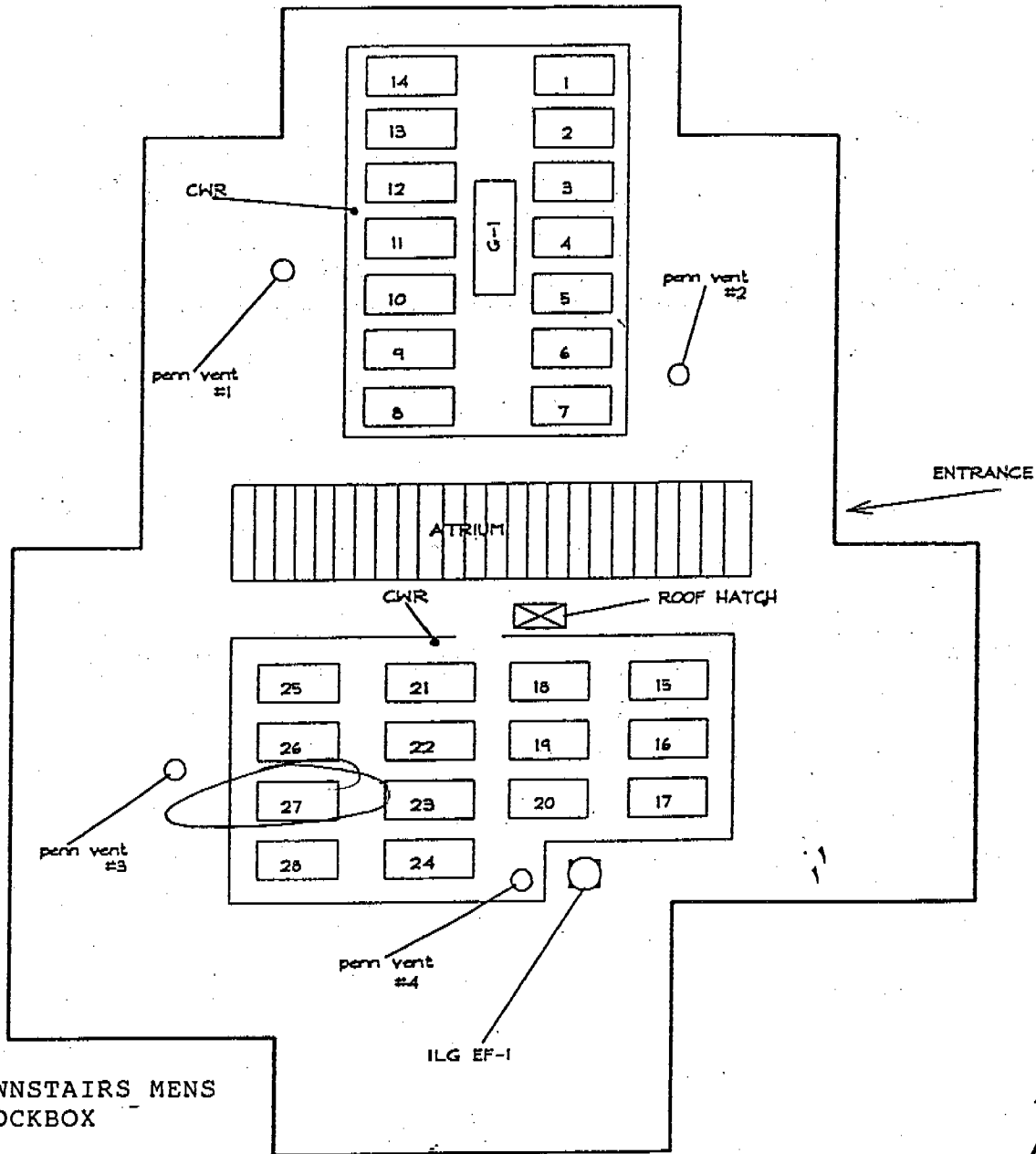
Date 5/3/04 Applicant Signature [Signature]

WARNING: FAILURE TO SECURE WORKER'S COMPENSATION COVERAGE IS UNLAWFUL AND SHALL SUBJECT AN EMPLOYER TO CRIMINAL PENALTIES AND CIVIL FINES UP TO ONE HUNDRED THOUSAND DOLLARS (\$100,000) IN ADDITION TO THE COST OF COMPENSATION, DAMAGES AS PROVIDED FOR IN SECTION 3706 OF THE LABOR CODE, INTEREST AND ATTORNEY'S FEE.

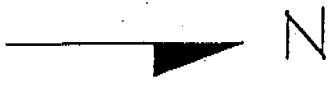
THIS PERMIT SHALL EXPIRE BY LIMITATION IF WORK IS NOT COMMENCED WITHIN 180 DAYS.

LIGHT RAIL

HMT. 50



KEY=BY DOWNSTAIRS MENS  
 ROOM IN LOCKBOX  
 COMBO=KCS  
 (2 times Right to K)  
 (1 time Left to C)  
 (1 time Right to S)



FOLSOM BLVD.

APR	JM	DATE	1/97
		7300 FOLSOM BLVD. BUILDING	
Collins		INVESTMENTS	
C/O PRETISS PROPERTIES			

5001 24th ST.  
MCKAYVILLE, CA

# PARK

MECHANICAL

916-452-4154  
FAX 916-452-4157

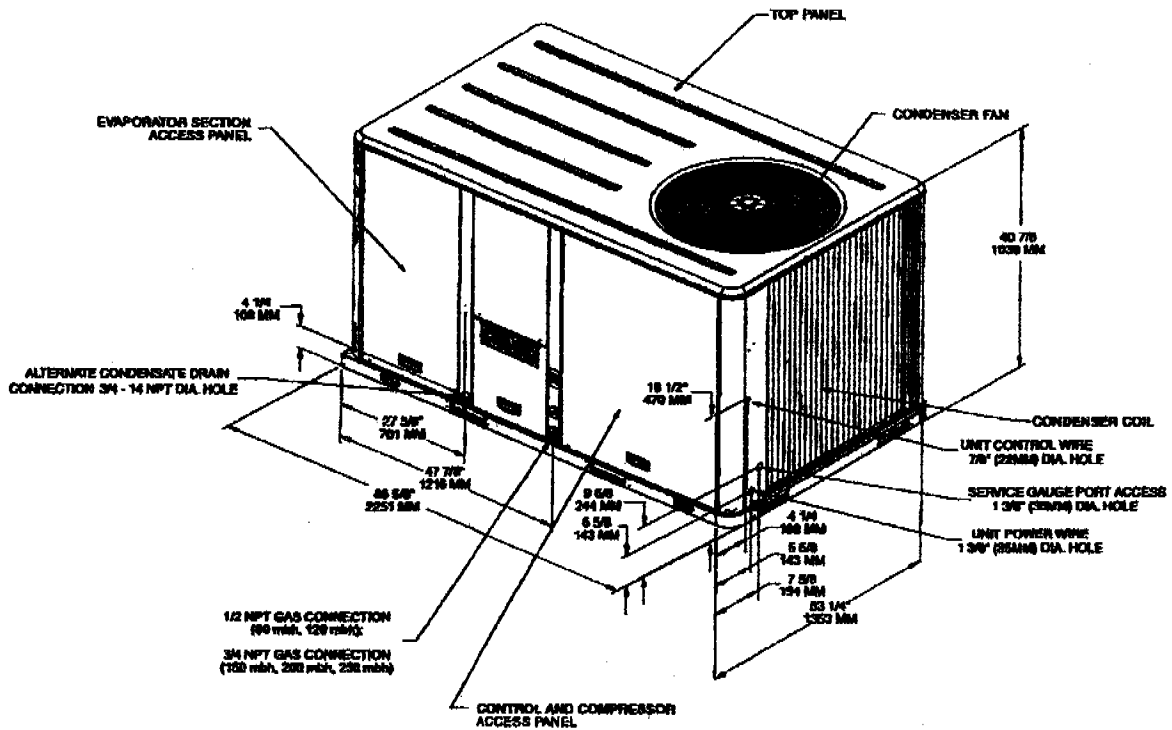
YHC072SQ220.05

Tag:

**SUBMITTAL**

All dimensions are in inches/millimeters.

**High Efficiency  
6 Ton  
Packaged  
Gas/Electric  
Convertible  
YHC072A**



**Table 1 -- Unit Wiring**

Tons	Unit Model No.	Unit Operating Voltage Range	Standard Indoor Fan Motor		Oversize Indoor Fan Motor	
			Minimum Circuit Ampacity	Maximum Fuse Size Or Maximum Circuit Breaker <sup>1</sup>	Minimum Circuit Ampacity	Maximum Fuse Size Or Maximum Circuit Breaker <sup>1</sup>
6	YHC072A3	187-263	34.8	50	38.1	50
	YHC072A4	414-506	17.5	25	18.1	25
	YHC072AW	517-633	13.5	20	14.3	20

NOTES:  
1. HACR breaker per NEC.

**Table GD-6 - General Data**

				6-Ton Convertible Units YHC072A3, A4, AW		
<b>Cooling Performance<sup>1</sup></b>						
Gross Cooling Capacity			73,000			
SEER/EER <sup>2</sup>			— /11.5 <sup>3</sup>			
Nominal CFM / ARI Rated CFM			2,400/2,100			
ARI Net Cooling Capacity			70,000			
System Power (KW)			6.09 <sup>4</sup>			
<b>Heating Performance<sup>1</sup></b>						
Heating Models	Low	Medium	High			
Heating Input (Btu)	80,000	120,000	150,000			
Heating Output (Btu)	64,800	97,200	121,500			
AFUE % <sup>5</sup>	81	81	81			
Steady State Efficiency (%) <sup>6</sup>	81	81	81			
No. Burners	2	3	3			
No. Stages	1	1	2			
Gas Supply Line Pressure						
Natural (minimum/maximum)			4.5/14.0			
LP (minimum/maximum)			10.0/14.0			
Gas Connection Pipe Size (in.)	1/2	1/2	3/4			
<b>Compressor</b>						
No./Type			1/Scroll			
<b>Outdoor Sound Rating (dB)<sup>7</sup></b>						
		89				
<b>Outdoor Coil - Type</b>						
		Lanced				
Tube Size (in.) OD			0.3125			
Face Area (sq ft)			17.00			
Rows/FPI			3/17			
<b>Indoor Coil - Type</b>						
		Lanced				
Tube Size (in.)			0.3125			
Face Area (sq ft)			9.89			
Rows/FPI			3/16			
Refrigerant Control			Short Orifice			
Drain Connection No./Size (in.)			1/4 NPT			
<b>Outdoor Fan - Type</b>						
		Propeller				
No. Used/Diameter (in.)			1/26			
Drive Type/No. Speeds			Direct/1			
CFM			6,100			
No. Motors/HP			1/0.70			
Motor RPM			1,075			
<b>Direct Drive Indoor Fan - Type</b>						
		N/A				
No. Used/Diameter (in.)			N/A			
Drive Type/No. Speeds			N/A			
No. Motors			N/A			
Motor HP (Standard/Oversized)			N/A			
Motor RPM (Standard/Oversized)			N/A			
Motor Frame Size (Standard/Oversized)			N/A			
<b>Belt Drive Indoor Fan - Type</b>						
		FC Centrifugal				
No. Used/Diameter (in.)			1/12 x 12			
Drive Type/No. Speeds			Belt/Variable Sheave			
No. Motors			1			
Motor HP (Standard/Oversized)			1.00/2.00			
Motor RPM (Standard/Oversized)			1,750/1,750			
Motor Frame Size (Standard/Oversized)			56/56			
<b>Filters - Type Furnished</b>						
		Throwaway				
(No.) Size Recommended			(4) 16 x 25 x 2 <sup>7</sup>			
Refrigerant Charge (lbs of R-22) <sup>8</sup>			10.7			

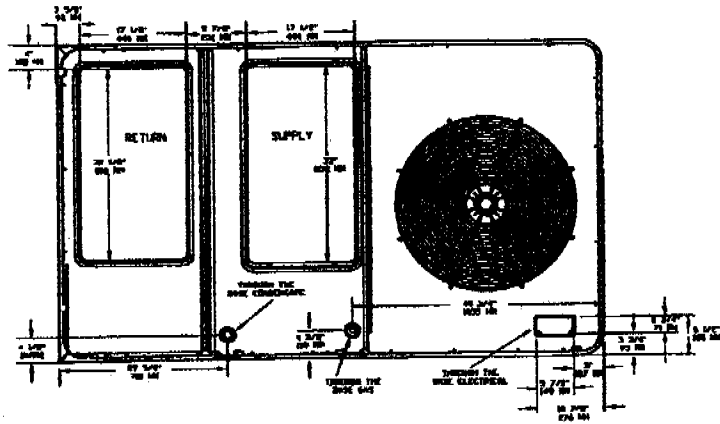
**NOTES:**

- Cooling Performance is rated at 95 F ambient, 80 F entering dry bulb, 67 F entering wet bulb. Gross capacity does not include the effect of fan motor heat. ARI capacity is net and includes the effect of fan motor heat. Units are suitable for operation to a 20% of nominal cfm. Certified in accordance with the Unitary Air-Conditioner Equipment certification program, which is based on ARI Standard 210/2-40.
- EER is rated at ARI conditions and in accordance with DOE test procedures.
- Heating Performance limit settings and rating data were established and approved under laboratory test conditions using American National Standards Institute standards. Ratings shown are for elevations up to 2000 feet. For elevations above 2000 feet, ratings should be reduced at the rate of 4% for each 1000 feet above sea level.
- AFUE and Steady State Efficiency is rated in accordance with DOE test procedures.
- Outdoor Sound Rating shown is tested in accordance with ARI Standard 270. For additional information refer to Table 18.
- Refrigerant charge is an approximate value. For a more precise value, see unit nameplate and service instructions.
- YHC072A when applied in a horizontal configuration has an 11.3 EER and 6.2 System Power (KW).
- Optional two inch pleated filters are also available.

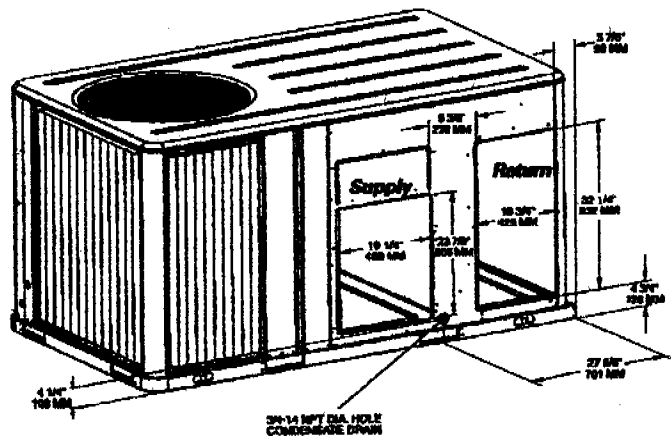


All dimensions are in inches/millimeters

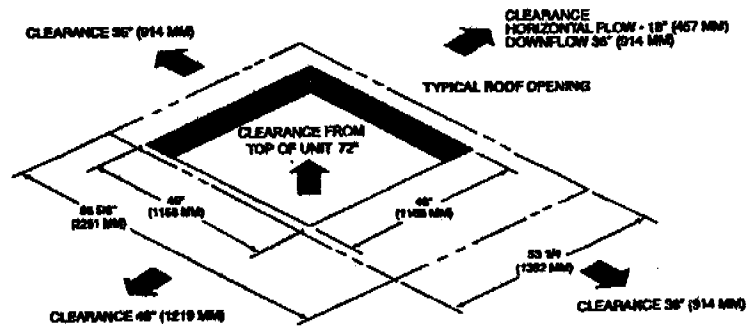
**Downflow Airflow Supply and Return;  
Through the Base Utilities**



**Horizontal Airflow Supply and Return**

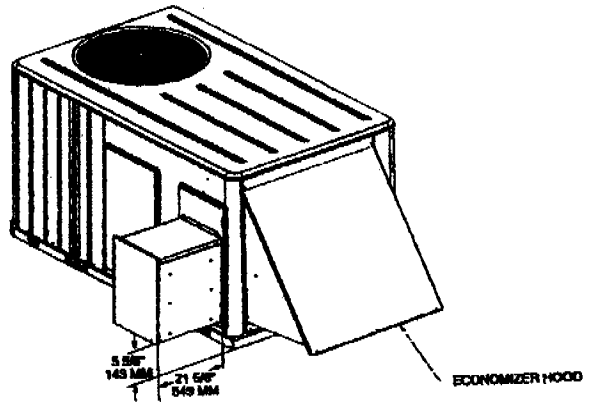
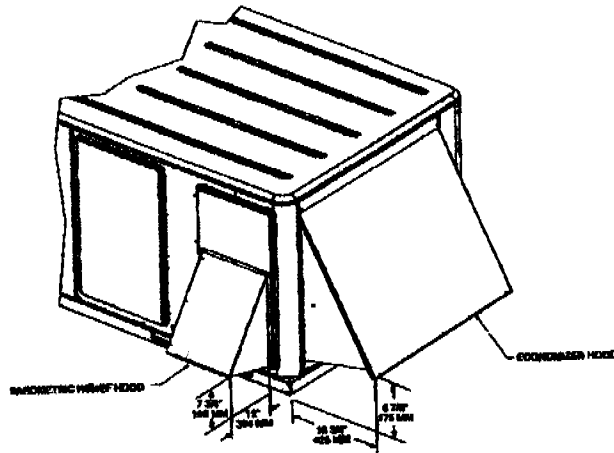


**Unit Clearance and Roof Opening**



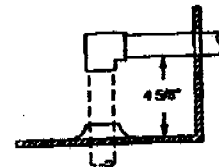
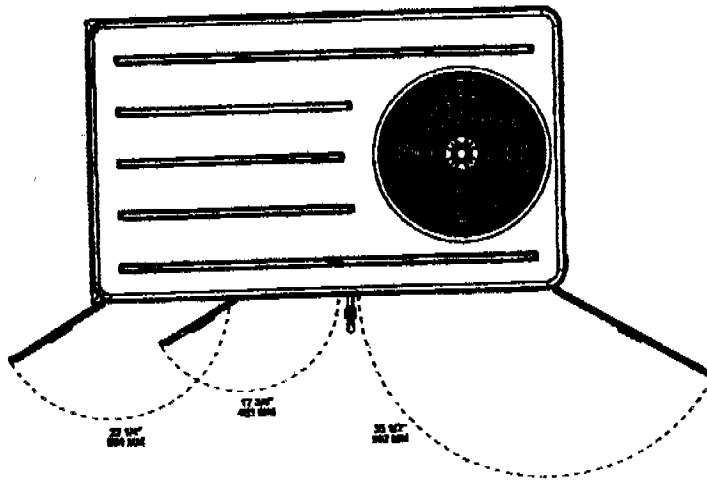


All dimensions are in inches/millimeters.



*Economizer, Manual, or Motorized Damper Hood, Barometric Relief*

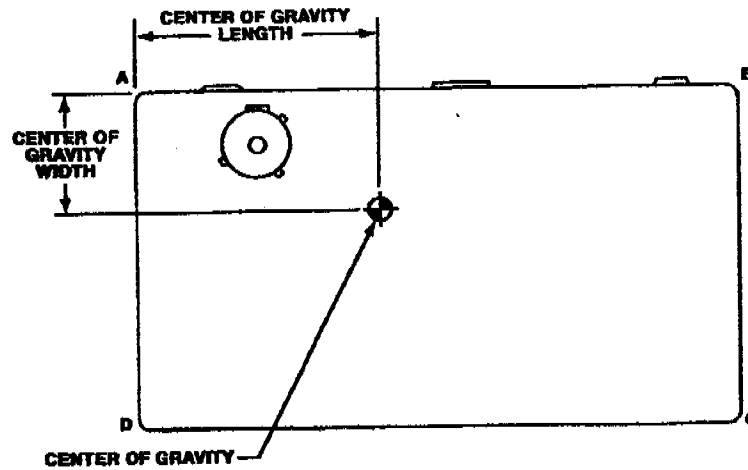
*Power Exhaust*



*Height of Gas Pipe required from inside Base of Unit to Gas Shut off assembly (Factory Provided)*

*Swing Diameter for Hinged Door(s) Option*

All dimensions are in inches.



**Table 3— Maximum Unit And Corner Weights (Lbs) And Center Of Gravity Dimensions (In.)**

Tons	Unit Model No.	Maximum Weights (Lbs) <sup>1</sup>		Corner Weights (Lbs)				Center of Gravity (In.)	
		Shipping	Net	A	B	C	D	Length	Width
6	YHC072A	915	772	249	158	141	184	39	22

**NOTE:**

1. Corner weights are given for information only.
2. Weights are approximate.

**Table 4— Factory-installed Options Net Weights (Lbs)<sup>1,2</sup>**

	Net Weight
Accessory	5 Tons
Economizer	36
Barometric Relief	18
Powered Exhaust	80
Motorized Outside Air Damper	30
Manual Outside Air Damper	28
Roof Curb	115
Oversized Motor	8
Smoke Detector, Return	7
Smoke Detector, Supply	5
Coil Guards	20
Hinged Doors	12
Powered Convenience Outlet	38
Through the Base Electrical	13
Through the Base Gas	5
Unit Mounted Circuit Breaker	5
Unit Mounted Disconnect	5

**NOTES:**

1. Weights for options not listed are <5 lbs.
2. Net weight should be added to unit weight when ordering factory installed accessories.