

CITY OF SACRAMENTO

1231 I Street, Sacramento, CA 95814

Permit No: 0507794

Insp Area: 4

Thos Bros: 277D5

Site Address: 1451 BUCKRIDGE WY SAC

Parcel No: 225-0420-041

EXPANDED NORTH DRD

Sub-Type: RES

Housing (Y/N): N

CONTRACTOR

SEARS HOME IMPROVEMENT
283 E. AIRWAY BL
LIVERMORE CA 94550

OWNER

GOODWIN MARVIN ALLEN/SUSAN L
1451 BUCKRIDGE WY
SACRAMENTO, CA 95833

ARCHITECT

Nature of Work: VINYL SIDING FRONT, LEFT, AND RIGHT SIDE OF HOUSE 821 SQFT

CONSTRUCTION LENDING AGENCY : I hereby affirm under penalty of perjury that there is a construction lending agency for the performance of the work for which this permit is issued (Sec. 3097, Civ. C).

Lender's Name _____ Lender's Address _____

LICENSED CONTRACTORS DECLARATION: I hereby affirm under penalty of perjury that I am licensed under provisions of Chapter 9 (commencing with section 7000) of Division 3 of the Business and Professions Code and my license is in full force and effect.

License Class D41 License Number 721379 Date 6/09/05 Contractor Signature Catherine Nam

OWNER-BUILDER DECLARATION: I hereby affirm under penalty of perjury that I am exempt from the contractors License Law for the following reason (Sec. 7031.5, Business and Professions Code; any city or county which requires a permit to construct, alter, improve, demolish, or repair any structure, prior to its issuance, also requires the applicant for such permit to file a signed statement that he or she is licensed pursuant to the provisions of the Contractors License Law (Chapter 9 (commencing with Section 7000) of Division 8 of the Business and Professions Code) or that he or she is exempt therefrom and the basis for the alleged exemption. Any violation of Section 7031.5 by any applicant for a permit subjects the applicant to a civil penalty of not more than five hundred dollars (\$500.00);

I, as a owner of the property, or my employees with wages as their sole compensation, will do the work, and the structure is not intended or offered for sale (Sec. 7044, Business and Professional Code: The Contractors License Law does not apply to an owner of property who builds or improves thereon, and who does such work himself or herself or through his/her own employees, provided that such improvements are not intended or offered for sale. If, however, the building or improvement is sold within one year of completion, the owner-builder will have the burden of proving that he/she did not build or improve for the purpose of sale.)

I, as owner of the property, am exclusively contracting with licensed contractors to construct the project (Sec. 7044, Business and Professions Code: The Contractors License Law does not apply to an owner of property who builds or improves thereon, and who contracts for such projects with a contractor(s) licensed pursuant to the Contractors License Law).

I am exempt under Sec. _____ B & PC for this reason: _____

Date _____ Owner Signature _____

IN ISSUING THIS BUILDING PERMIT, the applicant represents, and the city relies on the representation of the applicant, that the applicant verified all measurements and locations shown on the application or accompanying drawings and that the improvement to be constructed does not violate any law or private agreement relating to permissible or prohibited locations for such improvements. This building permit does not authorize any illegal location of any improvement or the violation of any private agreement relating to location of improvements.

I certify that I have read this application and state that all information is correct. I agree to comply with all city and county ordinances and state laws relating to building construction and hereby authorize representative(s) of this city to enter upon the abovementioned property for inspection purposes.

Date 6/09/05 Applicant/Agent Signature Catherine Nam

WORKER'S COMPENSATION DECLARATION: I hereby affirm under penalty of perjury one of the following declarations:

I have and will maintain a certificate of consent to self-insure workers' compensation as provided for by Section 3700 of the Labor Code, for the performance of work for which the permit is issued.

I have and will maintain workers' compensation insurance as provided for by Section 3700 of the Labor Code, for the performance of the work for which this permit is issued. My workers' compensation insurance carrier is _____

Carrier INDEMNITY INSURANCE COMPANY OF Policy Number WLRC44187000 Exp Date 04/01/2006

(This section need not be completed if the permit is for \$100 or less) I certify that in the performance of the work for which this permit is issued, I shall not employ any person in any manner so as to become subject to the workers' compensation laws of California and agree that if I should become subject to the workers' compensation provisions of Section 3700 of the Labor Code, I shall forthwith comply with those provisions.

Date 6/09/05 Applicant Signature Catherine Nam

WARNING: FAILURE TO SECURE WORKER'S COMPENSATION COVERAGE IS UNLAWFUL AND SHALL SUBJECT AN EMPLOYER TO CRIMINAL PENALTIES AND CIVIL FINES UP TO ONE HUNDRED THOUSAND DOLLARS (\$100,000) IN ADDITION TO THE COST OF COMPENSATION, DAMAGES AS PROVIDED FOR IN SECTION 3706 OF THE LABOR CODE, INTEREST AND ATTORNEY'S FEE.

THIS PERMIT SHALL EXPIRE BY LIMITATION IF WORK IS NOT COMMENCED WITHIN 180 DAYS.

City of Sacramento
Development Services Department
PLANNING REVIEW FOR BUILDING PERMIT SUBMITTAL

ADDRESS: 1451 Buckridge Way	APN: 225-0420-041
DRPB AREA / PUD / SPD: Expanded North	ZONING: R-1
EXISTING LAND USE: SFR	
PROPOSED USE: SFR - Vinyl Siding	
PLANNING STAFF WILL CHECK ONE OR MORE OF THE ITEMS BELOW:	
<input type="checkbox"/>	Planning review is NOT required.
<input type="checkbox"/>	Use is NOT allowed; applicant CANNOT submit for plan check.
<input type="checkbox"/>	Requires APPLICATION(s): PC ZA IR ER DR PB Required Planning application must be approved <i>before</i> project can be submitted for plan check
<input type="checkbox"/>	Application(s) IN PROGRESS: File Number: Application must be approved <i>before</i> project can be submitted for plan check.
<input type="checkbox"/>	Application(s) COMPLETED: File Number & approval date: Over-the-counter June 9, 2005 Building permit must conform to approved plans and comply with all conditions of approval. Do NOT accept applications for a building permit prior to the end of the 10-day appeal period.
<input checked="" type="checkbox"/>	Plans may be submitted for plan check. Plan checker(s) shall confirm compliance with Zoning Ordinance requirements and all applicable development standards <i>prior to issuance</i> of building permit.
<input type="checkbox"/>	Meets setback & lot coverage requirements as shown on site plan provided.
<input type="checkbox"/>	Plans to be submitted have been stamped/signed by Planning counter staff.
<input type="checkbox"/>	Route to SITE for plan check and inspection.
<input type="checkbox"/>	Route to SITE for inspection <i>only</i> , plan check not required.
<input type="checkbox"/>	Preliminary review ONLY ; the information on this form must be reviewed again and confirmed at the time of building permit submittal.
CONDITIONS AND COMMENTS:	
DATE: 6-9-05	BY: Andrea Di Matteo



CITY OF SACRAMENTO
CALIFORNIA

PLANNING AND
BUILDING
DEPARTMENT
PHONE 916-264-5381

1231 I STREET, ROOM 200
SACRAMENTO, CA
95814-2998
FAX 916-264-7046

Over-The-Counter Project Review

Address: 1451 Buckridge
Description: Vinyl Siding

Applicant: Kathy Nanni
Date Approved: June 9, 2005
Staff Contact: Andrea Di Matteo, Planning Technician, 808-1928

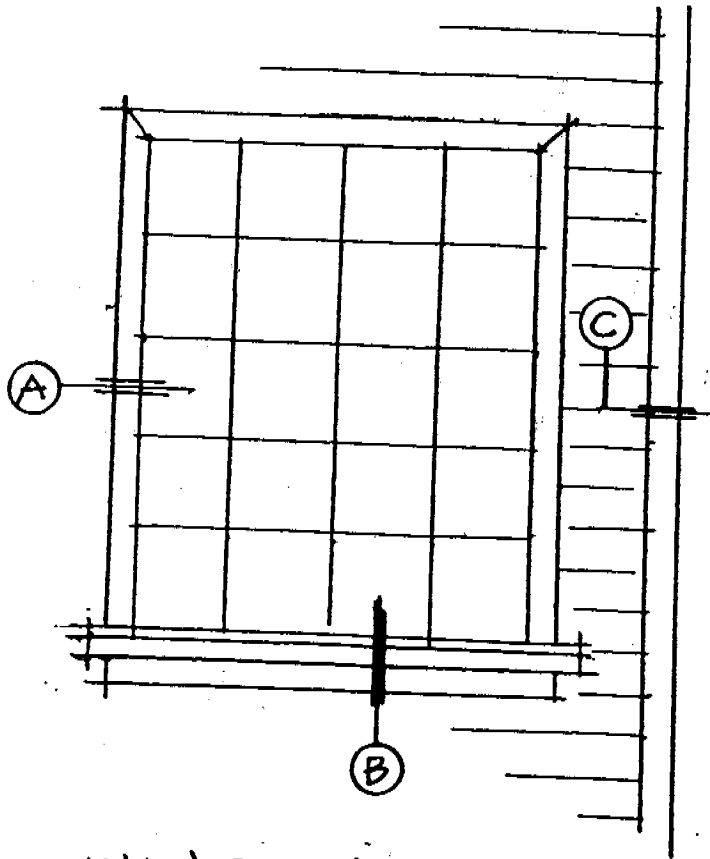
STAFF ACTION AND CONDITIONS OF APPROVAL:

Staff has reviewed the proposed project, and approves it with the following conditions of approval:

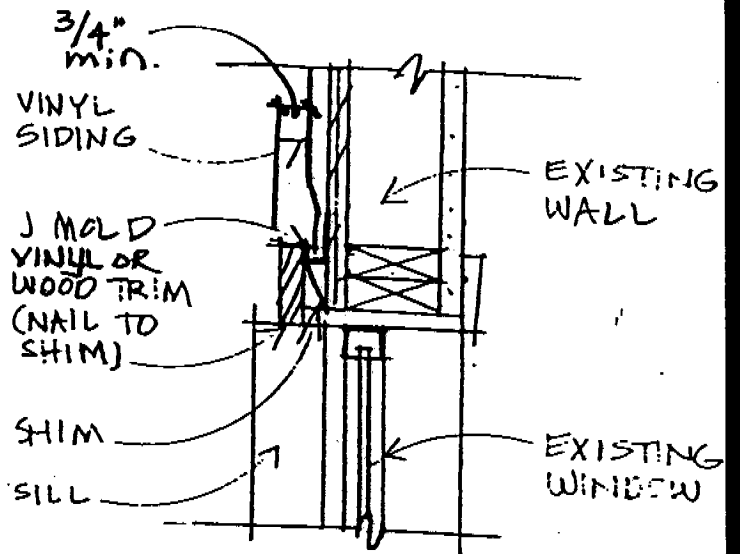
1. Vinyl siding shall be applied to front elevation and side gable ends.
2. Retain front gable siding.
3. Windows shall be boxed out with trim and sills, per attached city guideline window detail.
4. The scope of exterior work is limited to the above listed items. Any changes are subject to Design Review staff approval.

Andrea Di Matteo
Planning Technician
Design Review

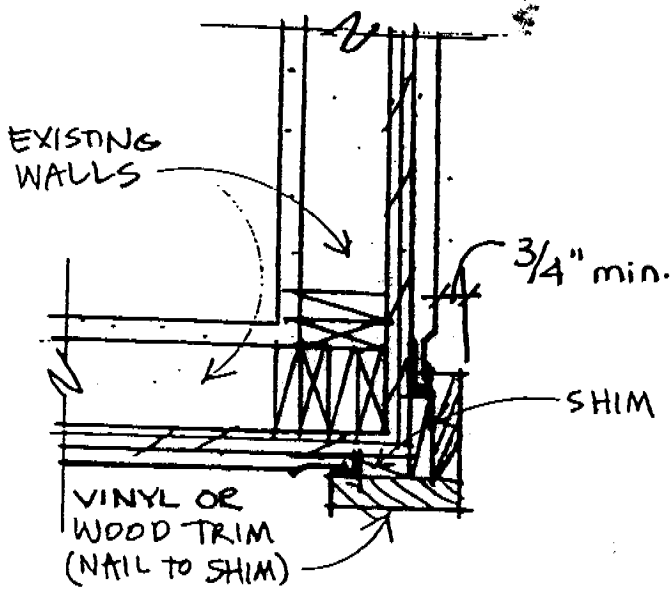
WOOD TRIM DETAILS WITH VINYL SIDING



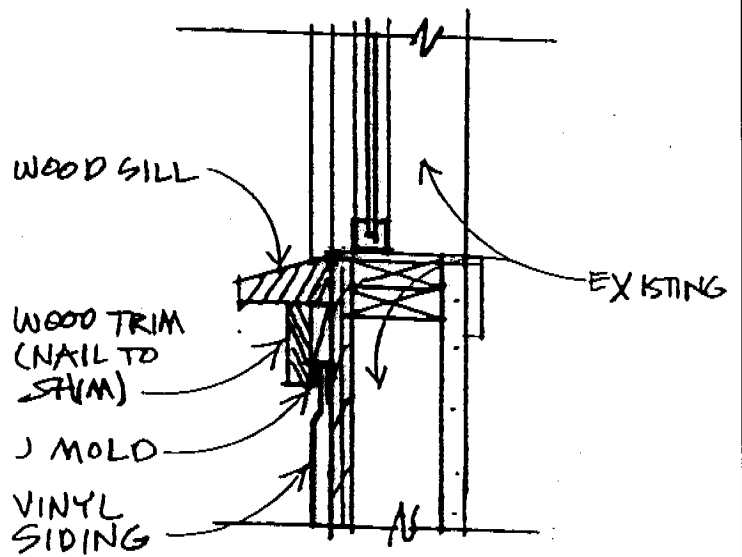
WINDOW ELEVATION



A JAMB



C CORNER



B SILL



**CITY OF SACRAMENTO
CALIFORNIA**

PLANNING AND
BUILDING
DEPARTMENT
PHONE 916-264-5381

1231 I STREET, ROOM 200
SACRAMENTO, CA
95814-2998
FAX 916-264-7046

Over-The-Counter Project Review

Address: 1451 Buckridge
Description: Vinyl Siding

Applicant: Kathy Nanni
Date Approved: June 9, 2005
Staff Contact: Andrea Di Matteo, Planning Technician, 808-1928

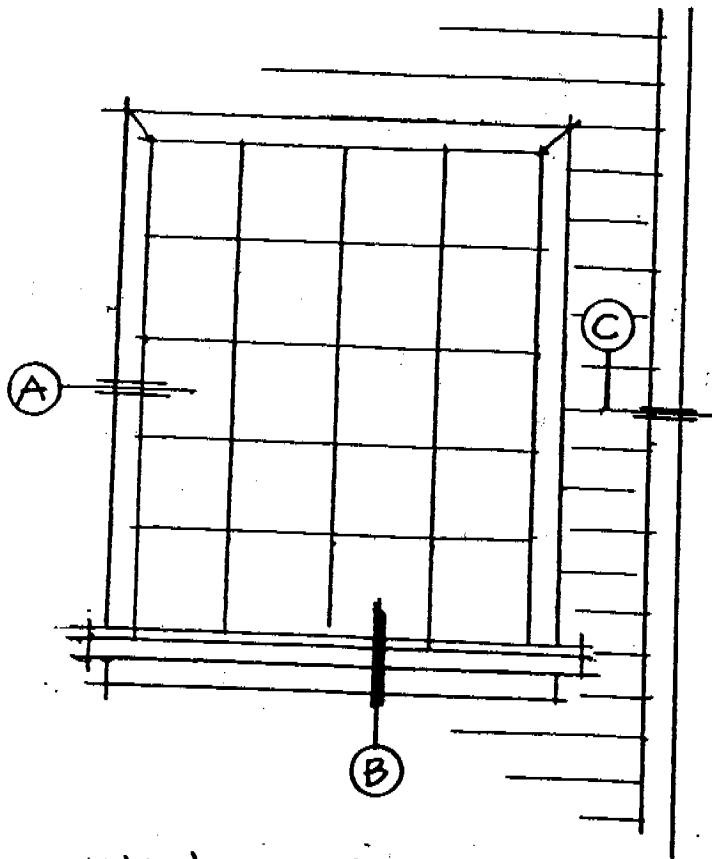
STAFF ACTION AND CONDITIONS OF APPROVAL:

Staff has reviewed the proposed project, and approves it with the following conditions of approval:

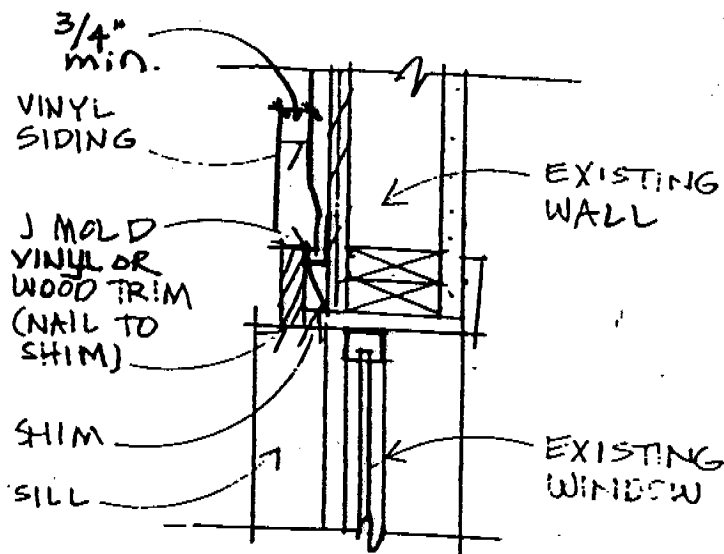
1. Vinyl siding shall be applied to front elevation and side gable ends.
2. Retain front gable siding.
3. Windows shall be boxed out with trim and sills, per attached city guideline window detail.
4. The scope of exterior work is limited to the above listed items. Any changes are subject to Design Review staff approval.

Andrea Di Matteo
Planning Technician
Design Review

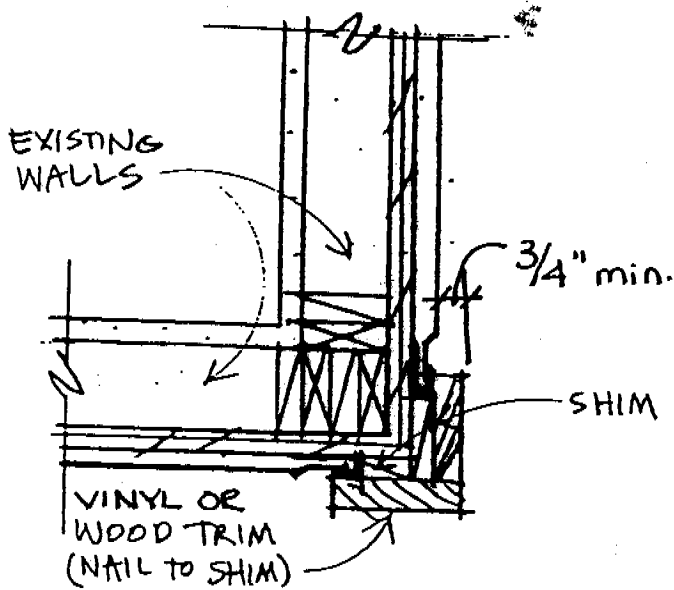
WOOD TRIM DETAILS WITH VINYL SIDING



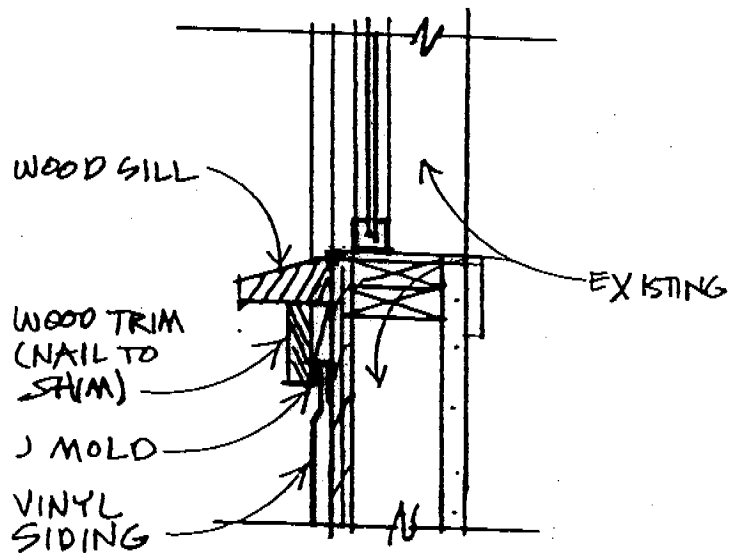
WINDOW ELEVATION



A JAMB



C CORNER



B SILL