

CITY OF SACRAMENTO
1231 I Street, Sacramento, CA 95814

Permit No: 0508128

Insp Area: 4

Thos Bros:

Sub-Type: NSFR

Housing (Y/N): N

Site Address: 2727 BRONCO CREEK WY SAC
Parcel No: NATOMAS PARK COMMONS LOT # 6

CONTRACTOR
LENNAR RENAISSANCE INC
1075 CREEKSIDE RIDGE DR #100
ROSEVILLE, CA 95678

OWNER

ARCHITECT

Nature of Work: MP1648 2 STORY 7 RM SFR

CONSTRUCTION LENDING AGENCY : I hereby affirm under penalty of perjury that there is a construction lending agency for the performance of the work for which this permit is issued (Sec. 3097, Civ. C).

Lender's Name _____ Lender's Address _____

LICENSED CONTRACTORS DECLARATION: I hereby affirm under penalty of perjury that I am licensed under provisions of Chapter 9 (commencing with section 7000) of Division 3 of the Business and Professions Code and my license is in full force and effect.

License Class 0 License Number 732348 Date 6/29/05 Contractor Signature Jonda Miller

OWNER-BUILDER DECLARATION: I hereby affirm under penalty of perjury that I am exempt from the contractors License Law for the following reason (Sec. 7031.5, Business and Professions Code; any city or county which requires a permit to construct, alter, improve, demolish, or repair any structure, prior to its issuance, also requires the applicant for such permit to file a signed statement that he or she is licensed pursuant to the provisions of the Contractors License Law (Chapter 9 (commencing with Section 7000) of Division 8 of the Business and Professions Code) or that he or she is exempt therefrom and the basis for the alleged exemption. Any violation of Section 7031.5 by any applicant for a permit subjects the applicant to a civil penalty of not more than five hundred dollars (\$500.00);

____ I, as a owner of the property, or my employees with wages as their sole compensation, will do the work, and the structure is not intended or offered for sale (Sec. 7044, Business and Professional Code: The Contractors License Law does not apply to an owner of property who builds or improves thereon, and who does such work himself or herself or through his/her own employees, provided that such improvements are not intended or offered for sale. If, however, the building or improvement is sold within one year of completion, the owner-builder will have the burden of proving that he/she did not build or improve for the purpose of sale.)

____ I, as owner of the property, am exclusively contracting with licensed contractors to construct the project (Sec. 7044, Business and Professions Code: The Contractors License Law does not apply to an owner of property who builds or improves thereon, and who contracts for such projects with a contractor(s) licensed pursuant to the Contractors License Law).

____ I am exempt under Sec. _____ B& PC for this reason: _____

Date _____ Owner Signature _____

IN ISSUING THIS BUILDING PERMIT, the applicant represents, and the city relies on the representation of the applicant, that the applicant verified all measurements and locations shown on the application or accompanying drawings and that the improvement to be constructed does not violate any law or private agreement relating to permissible or prohibited locations for such improvements. This building permit does not authorize any illegal location of any improvement or the violation of any private agreement relating to location of improvements.

I certify that I have read this application and state that all information is correct. I agree to comply with all city and county ordinances and state laws relating to building construction and hereby authorize representative(s) of this city to enter upon the abovementioned property for inspection purposes.

Date 6/29/05 Applicant/Agent Signature Jonda Miller

WORKER'S COMPENSATION DECLARATION: I hereby affirm under penalty of perjury one of the following declarations:
____ I have and will maintain a certificate of consent to self-insure for workers' compensation as provided for by Section 3700 of the Labor Code, for the performance of work for which the permit is issued.

____ I have and will maintain workers' compensation insurance, as required by Section 3700 of the Labor Code, for the performance of the work for which this permit is issued. My workers' compensation insurance carrier and policy number are:

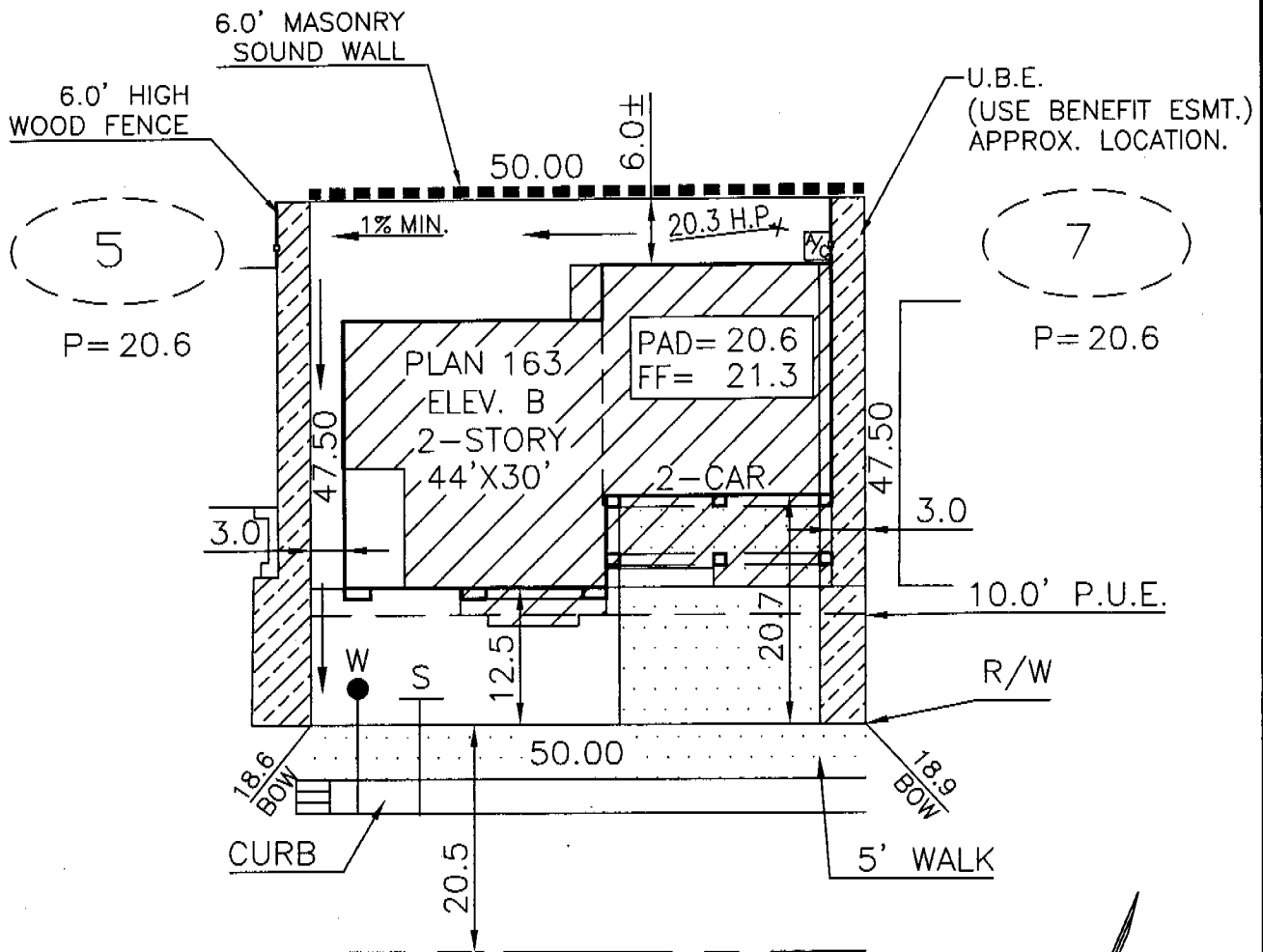
Carrier OLD REPUBLIC INS. CO. Policy Number MWC11114500 Exp Date 02/28/2007

____ (This section need not be completed if the permit is for \$100 or less) I certify that in the performance of the work for which this permit is issued, I shall not employ any person in any manner so as to become subject to the workers' compensation laws of California and agree that if I should become subject to the workers' compensation provisions of Section 3700 of the Labor Code, I shall forthwith comply with those provisions.

Date 6/29/05 Applicant Signature Jonda Miller

WARNING: FAILURE TO SECURE WORKER'S COMPENSATION COVERAGE IS UNLAWFUL AND SHALL SUBJECT AN EMPLOYER TO CRIMINAL PENALTIES AND CIVIL FINES UP TO ONE HUNDRED THOUSAND DOLLARS (\$100,000) IN ADDITION TO THE COST OF COMPENSATION, DAMAGES AS PROVIDED FOR IN SECTION 3706 OF THE LABOR CODE, INTEREST AND ATTORNEY'S FEE.

THIS PERMIT SHALL EXPIRE BY LIMITATION IF WORK IS NOT COMMENCED WITHIN 180 DAYS.




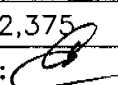
BRONCO CREEK WAY

PAID
 CITY OF SACRAMENTO
 JUN 29 2005
 NORTH PLUMMIT
 OFFICE



This set of plans and specifications must be kept on the job at all times and it is unlawful to make any changes or alterations from the same without written permission from the Building Inspection Division. The approval of this plan and specification SHALL NOT be held to permit or approve the violation of any City Ordinance or State Law.

DIMENSIONS SHOWN ARE APPROXIMATE EXCEPT FOR MINIMUMS REQUIRED BY ORDINANCE. THIS PLOT DOES NOT REFLECT AS BUILT CONDITIONS AND MAY VARY FROM THIS PLAN.

 <p>1075 CREEKSIDE RIDGE DR. SUITE 100. ROSEVILLE, CA 95678 PHONE (916) 773-4083 FAX (916) 773-4086</p>		<p>NATOMAS PARK COMMONS CITY OF SACTO. SACTO. COUNTY, CALIFORNIA</p>		<p>PLOT PLAN NOTES:</p>
<p>ADDRESS: 2727 BRONCO CREEK WAY</p>		<p>LOT COV: 44.0%</p>		
<p>PLAN NO.: 163-B</p>	<p>LOT SQ. FT.: 2,375</p>	<p>APN:</p>		<p>LOT 6</p>
<p>DRAWN BY: R.P.</p>	<p>APPROVED BY: </p>	<p>DATE: 5/21/05</p>	<p>SCALE: 1"=16'</p>	



**INSULATION CONTRACTORS
ASSOCIATION
OF AMERICA**

INSULATION CONTRACTORS
45195

1321 DUKE STREET, SUITE 303 • ALEXANDRIA, VA 22314 • (703) 739-0356

THIS IS TO CERTIFY THAT INSULATION HAS BEEN INSTALLED IN CONFORMANCE WITH THE REQUIREMENTS OF THE CALIFORNIA ADMINISTRATIVE CODE TITLE 24, PART 11. THE CONTRACTOR HAS BEEN LICENSED BY THE STATE OF CALIFORNIA.

2419 SSW Ave LOT # 0 TRACT # Combras
2727 Bronco Field City SAc
STREET

EXTERIOR WALLS: F16 THICKNESS/TYPE R- VALUE 13 1/2
MANUFACTURER

CEILINGS: BATT: F16 THICKNESS/TYPE R- VALUE 30
MANUFACTURER

BLOWN IN: CT THICKNESS/TYPE R- VALUE 30
MANUFACTURER

SQUARE FOOTAGE COVERED 834 NUMBER OF BAGS USED 15
FLOORS: R- VALUE

MANUFACTURER THICKNESS/TYPE R- VALUE

MANUFACTURER THICKNESS/TYPE R- VALUE

WIDTH OF INSULATION INCHES R- VALUE

FOUNDATION WALLS: THICKNESS/TYPE R- VALUE

GENERAL CONTRACTOR DATE
CALIFORNIA CONTRACTORS LICENSE #

SIGNATURE TITLE

INSULATION CONTRACTOR **ARCADE INSULATION**
CALIFORNIA CONTRACTORS LICENSE #815286
NEVADA CONTRACTORS LICENSE #55201
DATE 11/1/05

SIGNATURE TITLE

INSTALLATION CERTIFICATE

(page 2 of 4)

CF-6R

LOT : 6-1
Plan : 163B; ; ;

Work Order : 170724
Builder : RENAISSANCE - THE COMMONS

Site Address : 2727 Bronco Cuelle

Permit # 0509128

FENESTRATION/GLAZING:

Manufacturer/Brand Name	Operator Type (e.g., fixed, slider)	Manufactured Products	Site Built Products		Quantity (optional)	Total Square Feet	Comments/Special Features
		Labeled U-value (< CF-1R value) ²	# of Panes	Default U-Value ²			
(GROUP LIKE PRODUCTS)							
1. WINDFORD WINDOW	Fixed	0.320				59.2	
2. WINDFORD WINDOW	F/Door	0.320				48.0	
3. WINDFORD WINDOW	H/Slider	0.350				65.0	
4. WINDFORD WINDOW	S/Hung	0.350				36.0	
5. * Weighted Average	----->	0.335	----	----	----	208.2	-----
6.							
7.							
8.							
9.							
10.							
11.							
12.							
13.							
14.							
15.							
16.							
17.							
18.							
19.							
20.							
21.							
22.							
23.							
24.							
25.							

²Installed U-value must be less then or equal to value from CF-1R. Alternatively, installed weighted average U-value for the total fenestration area is less then or equal to value from CF-1R.

I, the undersigned, verify that the fenestration/glazing listed above my signature (1) is the actual fenestration product installed; (2) is the equivalent to or more efficient than that specified in the certificate of compliance (Form CF-1R) submitted for compliance with the Energy Efficiency Standards for residential buildings; and (3) the product meets or exceeds the appropriate requirements for manufactured devices (from Part 6), where applicable.

Item #s
(if applicable)

Signature, Date

Installing Subcontractor (Co. Name) OR
General Contractor (Co. Name) OR Owner

Item #s
(if applicable)

Signature, Date

Installing Subcontractor (Co. Name) OR
General Contractor (Co. Name) OR Owner

Item #s
(if applicable)

Signature, Date

Installing Subcontractor (Co. Name) OR
General Contractor (Co. Name) OR Owner

* Product mix and u-values reflect plan changes as of 11/08/05



Installation Card

Job Address

COMMONS AT NATOMAS | Lot: 00006-1
2727 BRONCO CREEK WAY
SACRAMENTO

Stucco System Tradename: KWIK KOTE

Name of Stucco Manufacturer: KWIK KOTE CORP.

ICC Evaluation Service, Inc.

Evaluation Report ESR-1711

Date of Job Completion

Stucco Contractor

Name: KENYON PLASTERING, INC.

Address: PO BOX 2077

North Highlands CA, 95660

Telephone Number: 916/349-8191

Approved Contract Number as issued by KWIK KOTE. 1001

This is to certify that the stucco system on the building exterior at the above address has been installed in accordance with the evaluation report specified above and the KWIK KOTE instructions.

Justin A. Almy
Signature of authorized representative of stucco contractor

11-8-05
Date

InstCard.frx

INSTALLATION CERTIFICATE

CF-6R

Site Address 2727 Branco (veele)

Permit Number 0509128

An installation certificate is required to be posted at the building site or made available for all appropriate inspections. (The information provided on this form is required; however, use of this form to provide the information is optional.) After completion of final inspection, a copy must be provided to the building department (upon request) and the building owner at occupancy, per Section 10-103(b).

HVAC SYSTEMS:

Heating Equipment

Equip. Type (pkg. heat pump)	CEC Certified Mfr Name and Model Number	# of Identical Systems	Efficiency (AFUE, etc.) [\geq CF-1R value]	Duct Location (attic, etc.)	Duct or Piping R-value	Heating Load (Btu/hr)	Heating Capacity (Btu/hr)
Furnace	Bryant 310JAV036070	1	80	Attic	6	17,810	51,000

Cooling Equipment

Equip. Type (pkg. heat pump)	CEC Certified Compressor Unit Mfr Name and Model Number	# of Identical Systems	Efficiency (SEER, etc.) [\geq CF-1R value]	Duct Location (attic, etc.)	Duct R-value	Cooling Load (Btu/hr)	Cooling Capacity (Btu/hr)
Split A/C	Bryant 537GNX030	1	14.0	Attic	6	20036	28,800

1. \geq reads greater than or equal to.

I, the undersigned, verify that equipment listed above is: 1) is the actual equipment installed, 2) equivalent to or more efficient than that specified in the certificate of compliance (Form CF-1R) submitted for compliance with the *Energy Efficiency Standards* for residential buildings, and 3) equipment that meets or exceeds the appropriate requirements for manufactured devices (from the *Appliance Efficiency Regulations* or Part 6), where applicable.

Ronald Deal 10/17/05
Signature, Date

Deal Mechanical, Inc.
Installing Subcontractor (Co. Name)
OR General Contractor (Co. Name) OR Owner

WATER HEATING SYSTEMS:

Heater Type	CEC Certified Mfr Name & Model Number	Distribution Type (Std. Point-of-Use)	If Recirculation, Control Type	# of Identical Systems	Rated Input (kW or Btu/hr)	Tank Volume (gallons)	Efficiency ² (EF, RE)	Standby ³ Loss (%)	External Insulation R-value ³
Gas	AHERM 410A50-90TF	SPD	N/A	N/A	40,000	50			19.2

- 2. For small gas storage (rated input of less than or equal to 75,000 Btu/hr), electric resistance and heat pump water heaters, list Energy Factor. For large gas storage water heaters (rated input of greater than 75,000 Btu/hr), list Recovery Efficiency, Standby Loss and Rated Input. For instantaneous gas water heaters, list Recovery Efficiency and Rated Input.
- 3. R-12 external insulation is mandatory for storage water heaters with an energy factor of less than 0.58.

Faucets & Shower Heads:

All faucets and showerheads installed are certified to the Commission, pursuant to Title 24, Part 6, Section 111.

I, the undersigned, verify that equipment listed above my signature is: 1) the actual equipment installed; 2) equivalent to or more efficient than that specified in the certificate of compliance (Form CF-1R) submitted for compliance with the *Energy Efficiency Standards* for residential buildings; and 3) equipment that meets or exceeds the appropriate requirements for manufactured devices (from the *Appliance Efficiency Regulations* or Part 6), where applicable.

Wang Yang 11/9/05
Signature, Date

Bianchi
Installing Subcontractor (Co. Name) OR
General Contractor (Co. Name) OR Owner

COPY TO: Building Department
HERS Provider (if applicable)
Building Owner at Occupancy