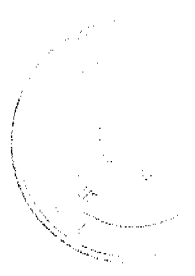


AFTER KITCHEN 4"=1' PROPOSED

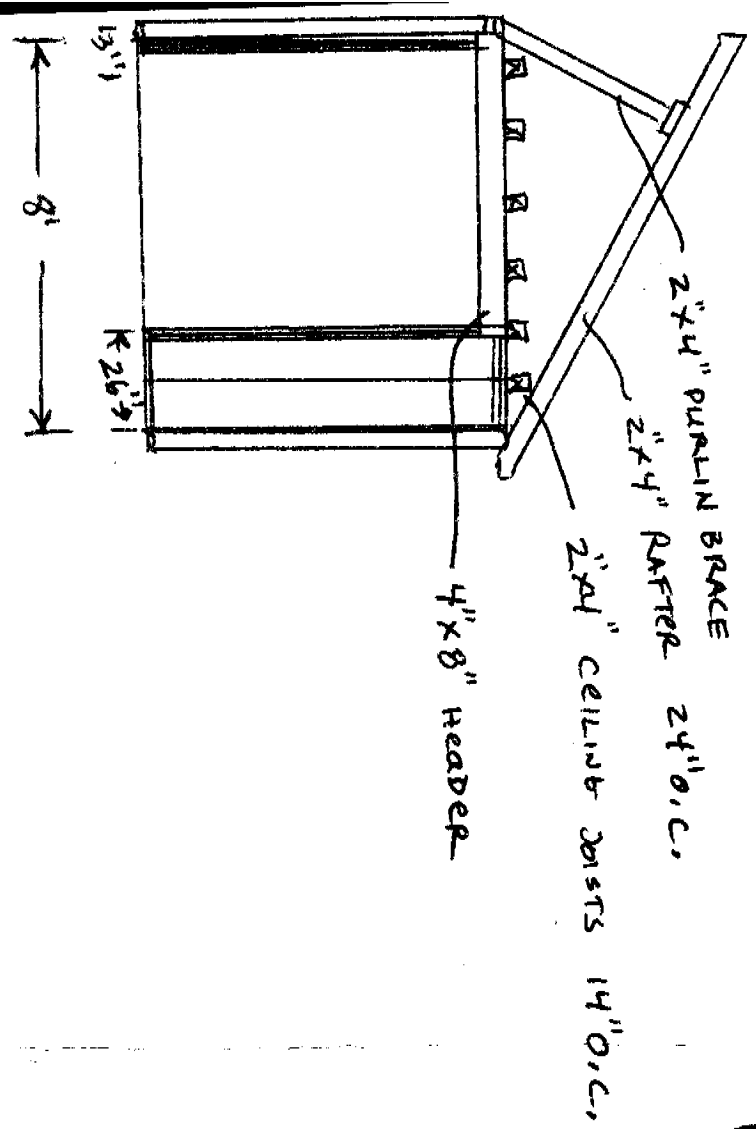
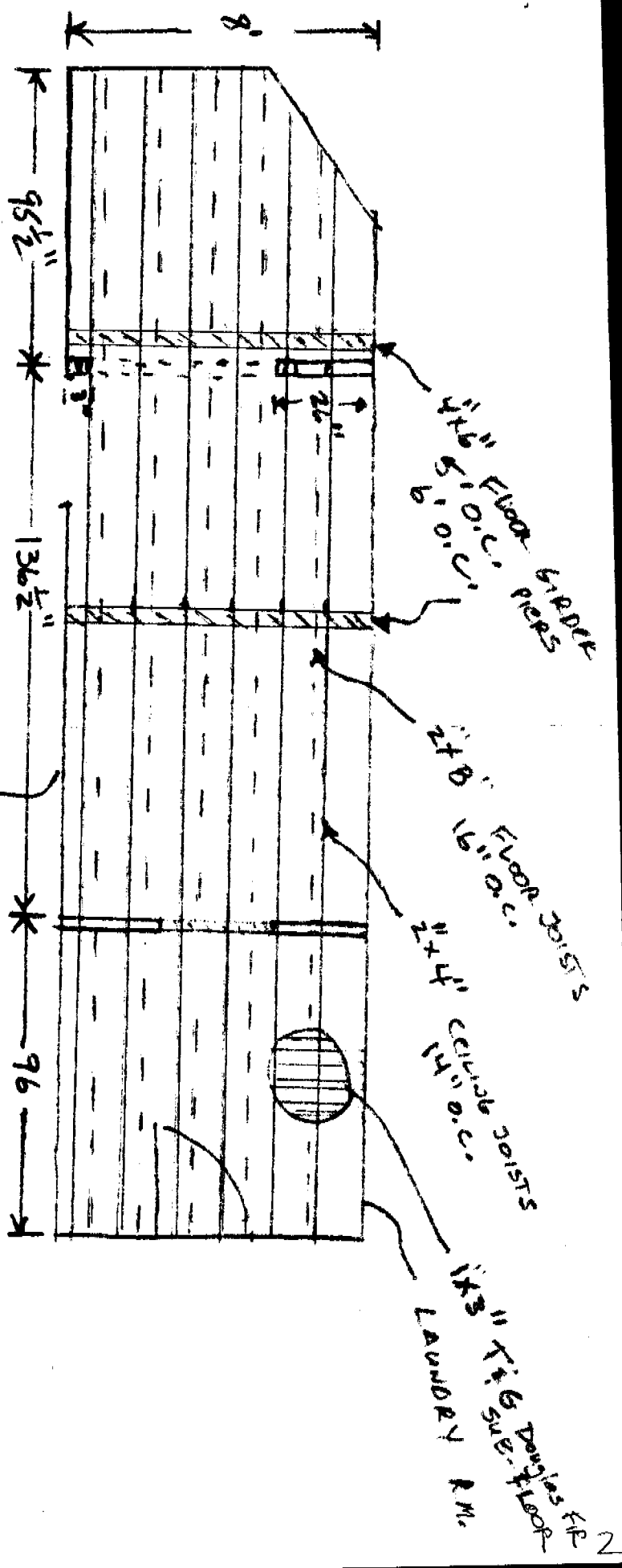
ISSUED
APR 27 2005
Sacramento Building Division

CITY COPY



Small text at the bottom of the seal, likely containing the name of the official and the department.

OTB REVISION TO 0505569 855 54th ST



BEFORE KITCHEN

1/4" = 1'

ORIGINAL

Handwritten notes and a signature in the bottom right corner of the page.