

**CITY OF SACRAMENTO**  
1231 I Street, Sacramento, CA 95814

**Permit No: 9909533**  
**Insp Area: 2**

**Site Address: 7351 29TH AV SAC**  
Parcel No: 049-0205-016

Sub-Type: AGAR  
Housing (Y/N): N

**CONTRACTOR**  
TOMMY LEON WILSON  
762 FAIR OAKS BL.  
SACRAMENTO 95608

**OWNER**  
FINCH RECCO R  
SACRAMENTO CA  
95822

**ARCHITECT**

**Nature of Work: FIRE REPAIR: REPLACE BURNT RAFTER IN GARAGE**

**CONSTRUCTION LENDING AGENCY:** I hereby affirm under penalty of perjury that there is a construction lending agency for the performance of the work for which this permit is issued (Sec. 3097, Civ. C).

Lender's Name \_\_\_\_\_ Lender's Address \_\_\_\_\_

**LICENSED CONTRACTORS DECLARATION:** I hereby affirm under penalty of perjury that I am licensed under provisions of Chapter 9 (commencing with section 7000) of Division 3 of the Business and Professions Code and my license is in full force and effect.

X License Class B License Number 301405 Date 5-24-99 Contractor Signature Tom Wilson

**OWNER-BUILDER DECLARATION:** I hereby affirm under penalty of perjury that I am exempt from the contractors License Law for the following reason (Sec. 7031.5, Business and Professions Code; any city or county which requires a permit to construct, alter, improve, demolish, or repair any structure, prior to its issuance, also requires the applicant for such permit to file a signed statement that he or she is licensed pursuant to the provisions of the Contractors License Law (Chapter 9 (commencing with Section 7000) of Division 8 of the Business and Professions Code) or that he or she is exempt therefrom and the basis for the alleged exemption. Any violation of Section 7031.5 by any applicant for a permit subjects the applicant to a civil penalty of not more than five hundred dollars (\$500.00);

\_\_\_\_\_, as a owner of the property, or my employees with wages as their sole compensation, will do the work, and the structure is not intended or offered for sale (Sec. 7044, Business and Professional Code: The Contractors License Law does not apply to an owner of property who builds or improves thereon, and who does such work himself or herself or through his/her own employees, provided that such improvements are not intended or offered for sale. If, however, the building or improvement is sold within one year of completion, the owner-builder will have the burden of proving that he/she did not build or improve for the purpose of sale.)

\_\_\_\_\_, I as owner of the property, am exclusively contracting with licensed contractors to construct the project (Sec. 7044, Business and Professions Code: The Contractors License Law does not apply to an owner of property who builds or improves thereon, and who contracts for such projects with a contractor(s) licensed pursuant to the Contractors License Law).

I am exempt under Sec. \_\_\_\_\_ B & PC for this reason: \_\_\_\_\_

Date \_\_\_\_\_ Owner Signature \_\_\_\_\_

**IN ISSUING THIS BUILDING PERMIT,** the applicant represents, and the city relies on the representation of the applicant, that the applicant verified all measurements and locations shown on the application or accompanying drawings and that the improvement to be constructed does not violate any law or private agreement relating to permissible or prohibited locations for such improvements. This building permit does not authorize any illegal location of any improvement or the violation of any private agreement relating to location of improvements.

I certify that I have read this application and state that all information is correct. I agree to comply with all city and county ordinances and state laws relating to building construction and hereby authorize representative(s) of this city to enter upon the abovementioned property for inspection purposes.

X Date 5-24-99 Applicant/Agent Signature Tom Wilson

**WORKER'S COMPENSATION DECLARATION:** I hereby affirm under penalty of perjury one of the following declarations:

\_\_\_\_\_, I have and will maintain a certificate of consent to self-insure for workers' compensation as provided for by Section 3700 of the Labor Code, for the performance of work for which the permit is issued.

→ \_\_\_\_\_ I have and will maintain workers' compensation insurance, as required by Section 3700 of the Labor Code, for the performance of the work for which this permit is issued. My workers' compensation insurance carrier and policy number are:

Carrier STATE FUND Policy Number 1194640-99 Exp Date 01/01/2000 AS

(This section need not be completed if the permit is for \$100 or less) I certify that in the performance of the work for which this permit is issued, I shall not employ any person in any manner so as to become subject to the workers' compensation laws of California and agree that if I should become subject to the workers' compensation provisions of Section 3700 of the Labor Code, I shall forthwith comply with those provisions.

X Date 5-24-99 Applicant Signature Tom Wilson

**WARNING - FAILURE TO SECURE WORKER'S COMPENSATION COVERAGE IS UNLAWFUL AND SHALL SUBJECT AN EMPLOYER TO CRIMINAL PENALTIES AND CIVIL FINES UP TO ONE HUNDRED THOUSAND DOLLARS (\$100,000) IN ADDITION TO THE COST OF COMPENSATION, DAMAGES AS PROVIDED FOR IN SECTION 3706 OF THE LABOR CODE, INTEREST AND ATTORNEY'S FEE.**

**THIS PERMIT SHALL EXPIRE BY LIMITATION IF WORK IS NOT COMMENCED WITHIN 180 DAYS.**

Sacramento Fire Department - Incident Report

-----  
Incident No : 990018142 Call# : 99041188 Date: 05/03/99 Time: 19:36  
Address : 7351 29TH ST  
Type : 11 BUILDING FIRE  
Action Taken: 12 VENTILATION, EXTINGUISH, SALVAGE, OVERHAUL  
Property : APARTMENTS: APT:1-2 UNIT W/BUSINESS  
UBC : HOTELS APT HOUSES CONVENTS  
-----

Weather : 60 Degrees / Clear  
Resources : 1 Engine, 1 Truck  
1 Other Apparatus

Fire Casualties : None

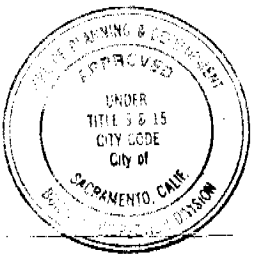
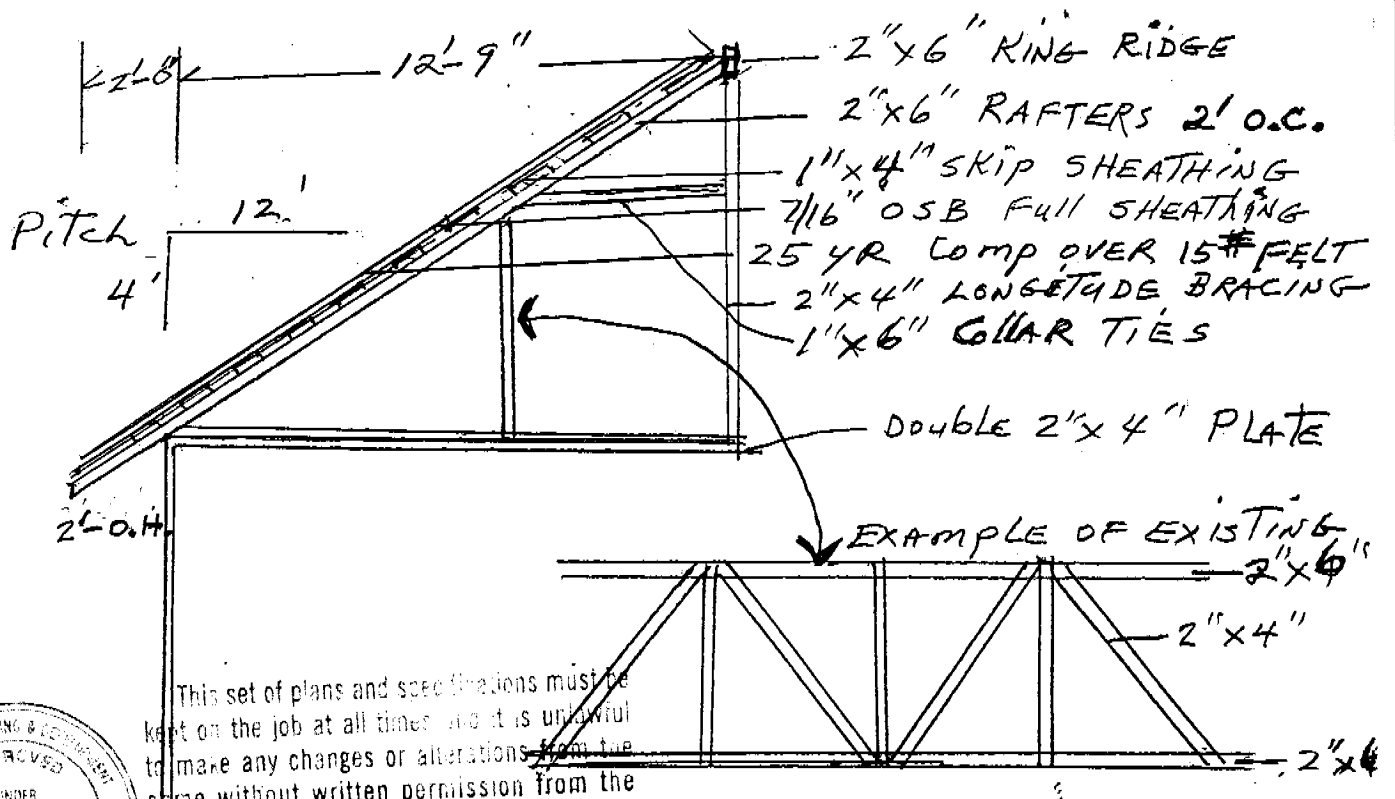
Fire Damage : Confined to story of origin  
Smoke Damage : Confined to structure of origin  
Property Loss : \$20,000 Contents Loss :  
Property Value : \$90,000 Contents Value:  
Area of Origin : Garage, carport, vehicle storage area  
Caused by : Equipment: Insufficient information  
Form of Heat : Heat/ properly operating electrical equip  
Ignition Factor : Equipment unattended  
Type of Material : Undetermined  
Form of Material : Undetermined  
Type of Material : Plywood  
Form of Material : Structural member, framing  
Smoke Travel : Undetermined/not reported  
Other Factors : Building Contents Insufficient information  
Extinguished by : Water from hydrant, draft, standpipe  
Structure Type : Building with one specific property use  
Structure Status : In use  
Occupied  
Construction Type: Type V - Wood Frame  
Roof Type : Composition  
Number of Stories: 1

Level: A01

Detector Type : No detector

Extinguishing Sys: No extinguishing system

Report Author : F723



This set of plans and specifications must be kept on the job at all times and it is unlawful to make any changes or alterations from the same without written permission from the Building Inspection Division.

The approval of this plan and specification SHALL NOT be held to permit or approve the violation of any City Ordinance or State Law.

EXISTING FRAMING

PROPOSED WORK: NEED TO REPLACE SOME CHARRED 2"x6" RAFTERS AND SOME 1"x4" SKIP SHEATHING

SCALE: 1/4" = 1'-0"

CONTRACTOR: Tom L. Wilson Lic. # 307053  
7612-C FAIR OAKS BLVD.  
CARMICHAEL, CA. 95628

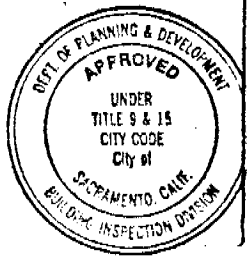
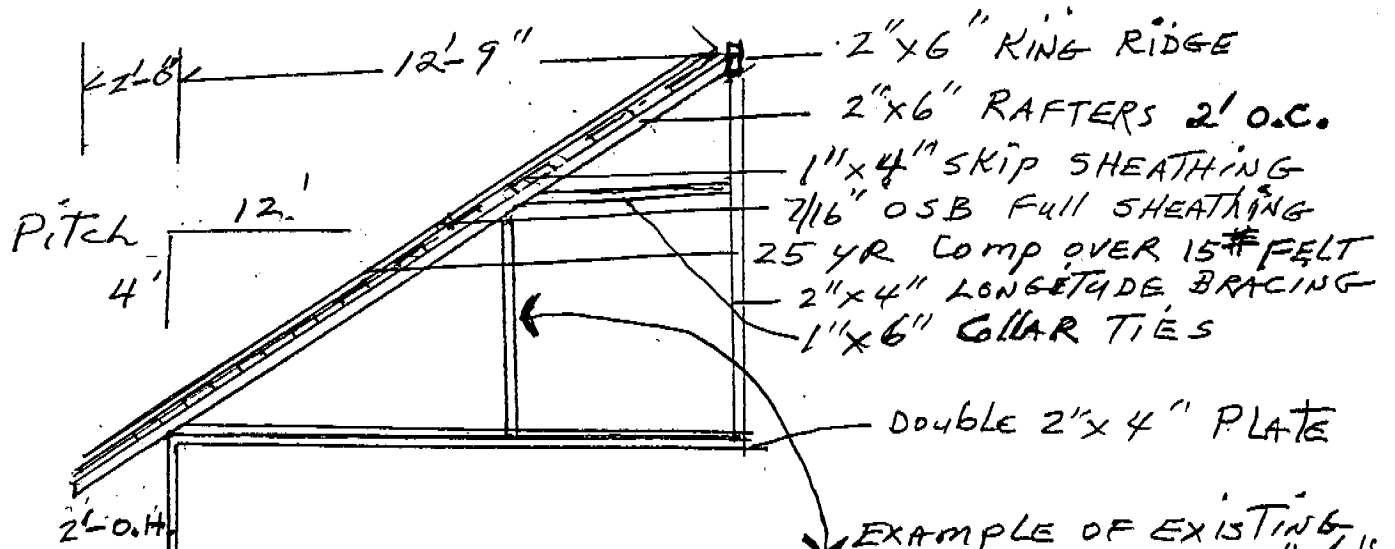
Job: 7351 29th ST.  
SACRAMENTO, CA.

ISSUED

AUG 24 1999

CITY OF SACRAMENTO  
DEVELOPMENT SERVICES DIV

*[Handwritten Signature]*  
8-24-99



This set of plans and specifications must be kept on the job at all times and it is unlawful to make any changes or alterations from the same without written permission from the Building Inspection Division.

The approval of this plan and specification SHALL NOT be held to permit or approve the violation of any City Ordinance or State Law.

EXISTING FRAMING

PROPOSED WORK: NEED TO REPLACE SOME CHARRED 2"X6" RAFTERS AND SOME 1"X4" SKIP SHEATHING

SCALE: 1/4" = 1'-0"

CONTRACTOR: Tom L. Wilson Lic # 307053  
7612-C FAIR OAKS BLVD  
CARMICHAEL, CA. 95628

ISSUED

Job: 7351 29<sup>th</sup> ST.  
SACRAMENTO, CA.

AUG 24 1999

CITY OF SACRAMENTO  
DEVELOPMENT SERVICES DIV

*[Handwritten Signature]*  
8-24-99