

CITY OF SACRAMENTO
1231 I Street, Sacramento, CA 95814

Permit No: 0508823

Insp Area: 4
Thos Bros: 277H6

Site Address: 539 EL CAMINO AV SAC
Parcel No: 263-0232-027

Sub-Type: RES
Housing (Y/N): N

CONTRACTOR
K DESIGNERS
2440 GOLD RIVER RD
GOLD RIVER CA 95823

OWNER
LOW EARL V
539 EL CAMINO AV
SACRAMENTO, CA 95815

ARCHITECT

INSPECTION IN PROGRESS
INSPECTION REQUIRED

Nature of Work: PAPERLESS PERMIT-VINYL SIDING OVER EXISTING. INSTALL 19SQ. INPROGRESS INSPECTION REQUIRED

CONSTRUCTION LENDING AGENCY: I hereby affirm under penalty of perjury that there is a construction lending agency for the performance of the work for which this permit is issued (Sec. 3097, Civ. C).

Lender's Name _____ Lender's Address _____

LICENSED CONTRACTORS DECLARATION: I hereby affirm under penalty of perjury that I am licensed under provisions of Chapter 9 (commencing with section 7000) of Division 3 of the Business and Professions Code and my license is in full force and effect.

License Class CEC License Number 498806 Date 6/20/15 Contractor Signature _____

OWNER-BUILDER DECLARATION: I hereby affirm under penalty of perjury that I am exempt from the contractors License Law for the following reason (Sec. 7031.5, Business and Professions Code; any city or county which requires a permit to construct, alter, improve, demolish, or repair any structure, prior to its issuance, also requires the applicant for such permit to file a signed statement that he or she is licensed pursuant to the provisions of the Contractors License Law (Chapter 9 (commencing with Section 7000) of Division 8 of the Business and Professions Code) or that he or she is exempt therefrom and the basis for the alleged exemption. Any violation of Section 7031.5 by any applicant for a permit subjects the applicant to a civil penalty of not more than five hundred dollars (\$500.00);

I, as a owner of the property, or my employees with wages as their sole compensation, will do the work, and the structure is not intended or offered for sale (Sec. 7044, Business and Professional Code: The Contractors License Law does not apply to an owner of property who builds or improves thereon, and who does such work himself or herself or through his/her own employees, provided that such improvements are not intended or offered for sale. If, however, the building or improvement is sold within one year of completion, the owner-builder will have the burden of proving that he/she did not build or improve for the purpose of sale.)

I, as owner of the property, am exclusively contracting with _____ licensed contractor(s) to construct the project (Sec. 7044, Business and Professions Code: The Contractors License Law does not apply to an owner of property who builds or improves thereon, and who contracts for such projects with a contractor(s) licensed pursuant to the Contractors License Law).

I am exempt under Sec. _____ B & PC for this _____

Date _____ Own _____

IN ISSUING THIS BUILDING PERMIT, the applicant represents, and the city relies on the representation of the applicant, that the applicant verified all measurements and locations shown on the application or accompanying drawings and that the improvement to be constructed does not violate any law or private agreement relating to permissible or prohibited locations for such improvements. This building permit does not authorize any illegal location of any improvement or the violation of any private agreement relating to location of improvements.

I certify that I have read this application and state that all information is correct. I agree to comply with all city and county ordinances and state laws relating to building construction and herby authorize representative(s) of this city to enter upon the abovementioned property for inspection purposes.

Date 6/20/15 Applicant/Agent Signature _____

WORKER'S COMPENSATION DECLARATION: I hereby affirm under penalty of perjury one of the following declarations:

I have and will maintain a certificate of consent to self-insure for workers' compensation as provided for by Section 3700 of the Labor Code, for the performance of work for which the permit is issued.

X I have and will maintain workers' compensation insurance, as required by Section 3700 of the Labor Code, for the performance of the work for which this permit is issued. My workers' compensation insurance carrier and policy number are:

Carrier STATE FUND Policy Number 713-0009151 Exp Date 04/01/2006

(This section need not be completed if the permit is for \$100 or less) I certify that in the performance of the work for which this permit is issued, I shall not employ any person in any manner so as to become subject to the workers' compensation laws of California and agree that if I should become subject to the workers' compensation provisions of Section 3700 of the Labor Code, I shall forthwith comply with those provisions.

Date 6/20/15 Applicant Signature _____

WARNING: FAILURE TO SECURE WORKER'S COMPENSATION COVERAGE IS UNLAWFUL AND SHALL SUBJECT AN EMPLOYER TO CRIMINAL PENALTIES AND CIVIL FINES UP TO ONE HUNDRED THOUSAND DOLLARS (\$100,000) IN ADDITION TO THE COST OF COMPENSATION, DAMAGES AS PROVIDED FOR IN SECTION 3706 OF THE LABOR CODE, INTEREST AND ATTORNEY'S FEE.

THIS PERMIT SHALL EXPIRE BY LIMITATION IF WORK IS NOT COMMENCED WITHIN 180 DAYS.



**CITY OF SACRAMENTO
CALIFORNIA**

PLANNING AND
BUILDING
DEPARTMENT
PHONE 916-264-5381

1231 I STREET, ROOM 200
SACRAMENTO, CA
95814-2998
FAX 916-264-7046

Over-The-Counter Project Review

Address: 539 El Camino Avenue
Description: Vinyl Siding

Applicant: John French
Date Approved: June 13, 2005
Staff Contact: Andrea Di Matteo, Planning Technician, 808-1928

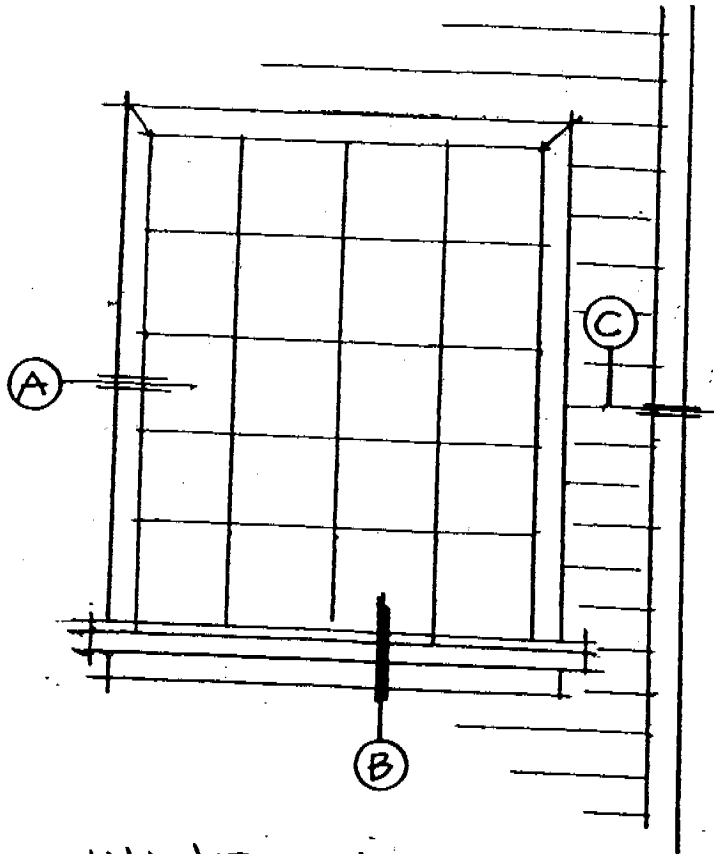
STAFF ACTION AND CONDITIONS OF APPROVAL:

Staff has reviewed the proposed project, and approves it with the following conditions of approval:

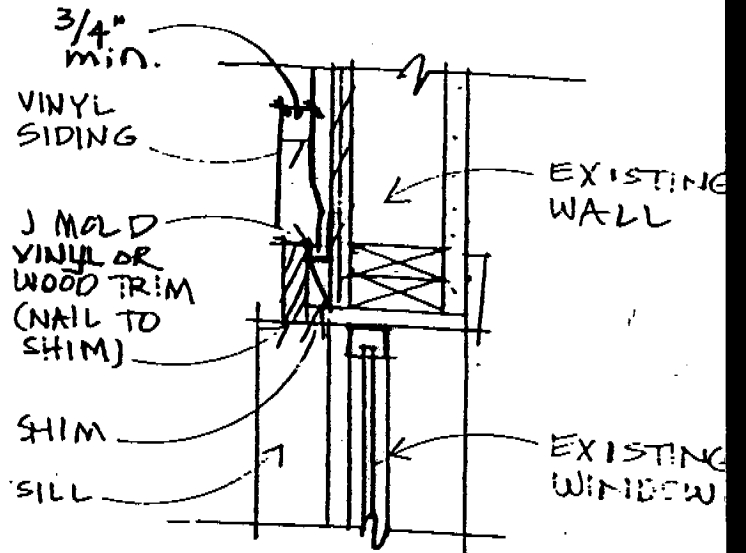
1. Provide horizontal smooth finish vinyl siding to all four sides of existing house.
2. Lap siding shall be a maximum of 5 inches wide.
3. All windows shall have trim and sills and corners shall be trimmed, per attached city detail.
4. Provide scalloped smooth finish vinyl siding at front gable end.
5. Paint columns, trim and other exposed wood a complementary accent color.
6. All windows shall be replaced with wide frame vinyl windows with grids.
7. The scope of exterior work is limited to the above listed items. Any changes are subject to Design Review staff approval.

Andrea Di Matteo
Planning Technician
Design Review

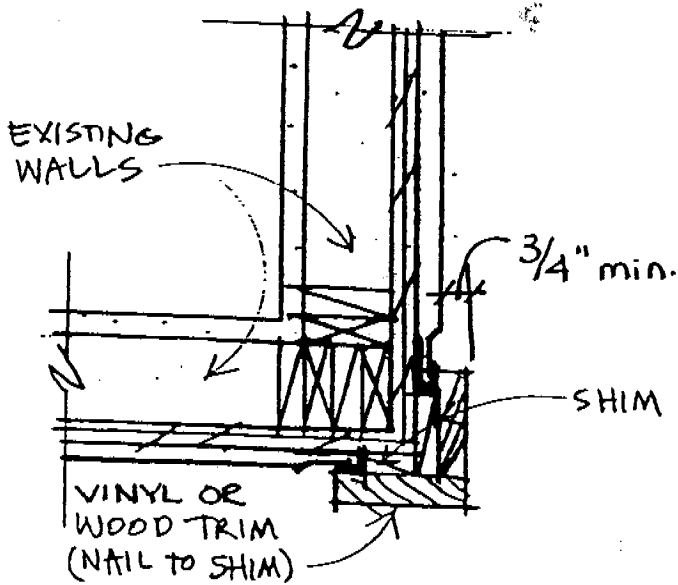
WOOD TRIM DETAILS WITH VINYL SIDING



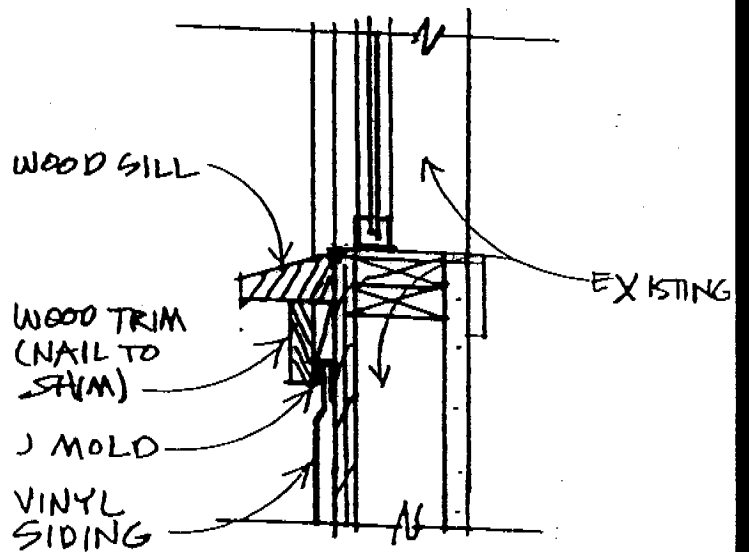
WINDOW ELEVATION



A JAMB



C CORNER



B SILL