

CITY OF SACRAMENTO

Permit No: 9806585

1231 I Street, Sacramento, CA 95814

Insp Area: 2

Site Address: 10 DUMFRIES CT SAC

Sub-Type: ASFR

Parcel No: 0310290021

Housing (Y/N): N

CONTRACTOR

HOLMES & SON CONSTR
5601 HESPER WAY
CARMICHAEL CA

95608

OWNER

WANG HARRY JANICE
10 DUMFRIES CT
SACRAMENTO CA

95831

ARCHITECT

Nature of Work: 218 SQ FT ADDITION AND REROOF

CONSTRUCTION LENDING AGENCY : I hereby affirm under penalty of perjury that there is a construction lending agency for the performance of the work for which this permit is issued (Sec. 3097, Civ. C).

Lender's Name _____ Lender's Address _____

LICENSED CONTRACTORS DECLARATION: I hereby affirm under penalty of perjury that I am licensed under provisions of Chapter 9 (commencing with section 7000) of Division 3 of the Business and Professions Code and my license is in full force and effect.

License Class B License Number 473787 Date 7-15-98 Contractor Signature [Signature]

OWNER-BUILDER DECLARATION: I hereby affirm under penalty of perjury that I am exempt from the contractors License Law for the following reason (Sec. 7031.5, Business and Professions Code; any city or county which requires a permit to construct, alter, improve, demolish, or repair any structure, prior to its issuance, also requires the applicant for such permit to file a signed statement that he or she is licensed pursuant to the provisions of the Contractors License Law (Chapter 9 (commencing with Section 7000) of Division 8 of the Business and Professions Code) or that he or she is exempt therefrom and the basis for the alleged exemption. Any violation of Section 7031.5 by any applicant for a permit subjects the applicant to a civil penalty of not more than five hundred dollars (\$500.00);

____ I, as a owner of the property, or my employees with wages as their sole compensation, will do the work, and the structure is not intended or offered for sale (Sec. 7044, Business and Professional Code: The Contractors License Law does not apply to an owner of property who builds or improves thereon, and who does such work himself or herself or through his/her own employees, provided that such improvements are not intended or offered for sale. If, however, the building or improvement is sold within one year of completion, the owner-builder will have the burden of proving that he/she did not build or improve for the purpose of sale.)

____ I, as owner of the property, am exclusively contracting with licensed contractors to construct the project (Sec. 7044, Business and Professions Code: The Contractors License Law does not apply to an owner of property who builds or improves thereon, and who contracts for such projects with a contractor(s) licensed pursuant to the Contractors License Law).

____ I am exempt under Sec. _____ B & PC for this reason: _____

Date _____ Owner Signature _____

IN ISSUING THIS BUILDING PERMIT, the applicant represents, and the city relies on the representation of the applicant, that the applicant verified all measurements and locations shown on the application or accompanying drawings and that the improvement to be constructed does not violate any law or private agreement relating to permissible or prohibited locations for such improvements. This building permit does not authorize any illegal location of any improvement or the violation of any private agreement relating to location of improvements.

I certify that I have read this application and state that all information is correct. I agree to comply with all city and county ordinances and state laws relating to building construction and hereby authorize representative(s) of this city to enter upon the abovementioned property for inspection purposes.

Date 7-15-98 Applicant/Agent Signature [Signature]

WORKER'S COMPENSATION DECLARATION: I hereby affirm under penalty of perjury one of the following declarations:

____ I have and will maintain a certificate of consent to self-insure for workers' compensation as provided for by Section 3700 of the Labor Code, for the performance of work for which the permit is issued.

____ I have and will maintain workers' compensation insurance, as required by Section 3700 of the Labor Code, for the performance of the work for which this permit is issued. My workers' compensation insurance carrier and policy number are:

Carrier State Fund Policy Number 199 229-98

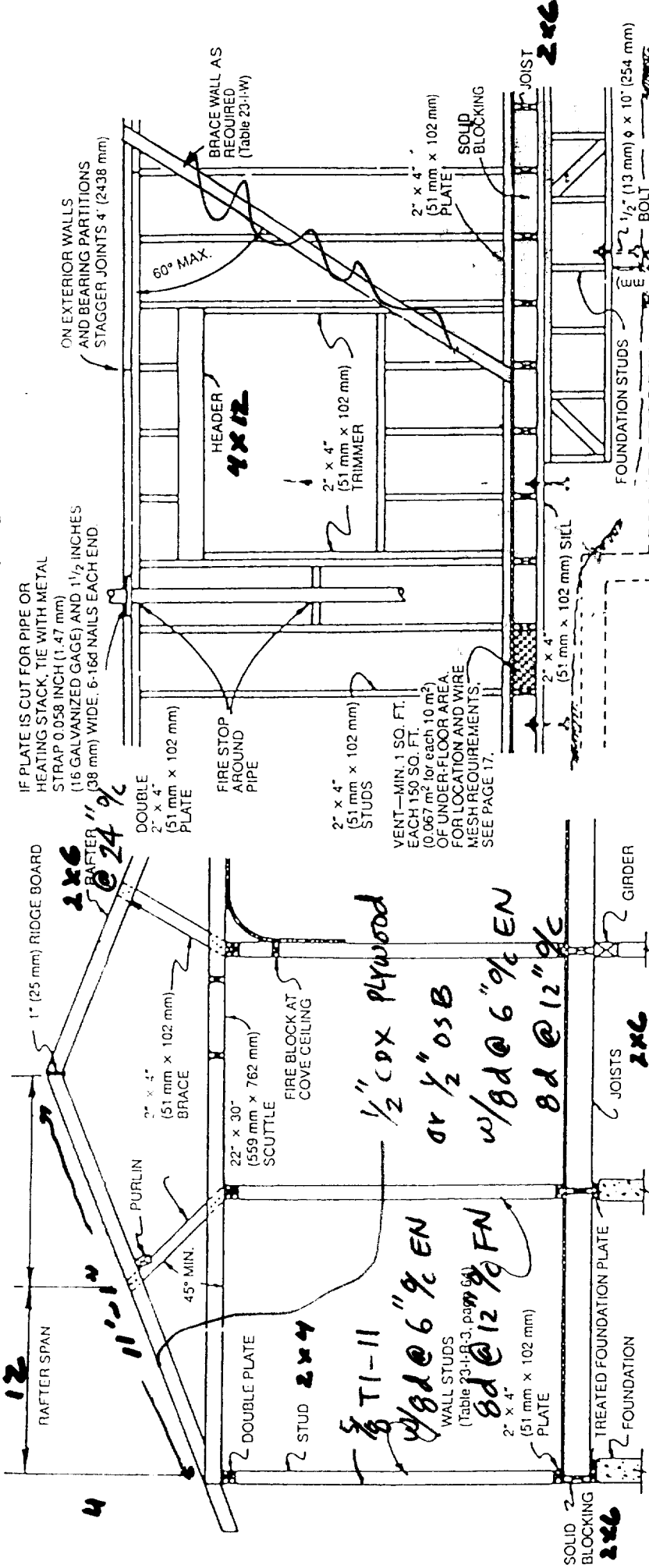
____ (This section need not be completed if the permit is for \$100 or less) I certify that in the performance of the work for which this permit is issued, I shall not employ any person in any manner so as to become subject to the workers' compensation laws of California and agree that if I should become subject to the workers' compensation provisions of Section 3700 of the Labor Code, I shall forthwith comply with those provisions.

Date 7-15-98 Applicant Signature [Signature]

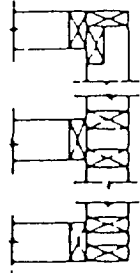
WARNING: FAILURE TO SECURE WORKER'S COMPENSATION COVERAGE IS UNLAWFUL AND SHALL SUBJECT AN EMPLOYER TO CRIMINAL PENALTIES AND CIVIL FINES UP TO ONE HUNDRED THOUSAND DOLLARS (\$100,000) IN ADDITION TO THE COST OF COMPENSATION, DAMAGES AS PROVIDED FOR IN SECTION 3706 OF THE LABOR CODE, INTEREST AND ATTORNEY'S FEE.

THIS PERMIT SHALL EXPIRE BY LIMITATION IF WORK IS NOT COMMENCED WITHIN 180 DAYS.

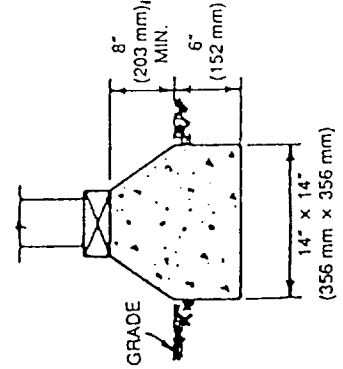
THE 1994 UNIFORM BUILDING CODE



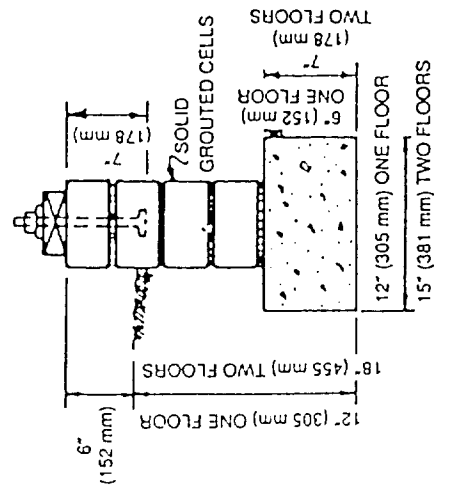
FRAMING SECTION use a class retardant roof covering
 ALL FOUNDATIONS TO EXTEND INTO NATURAL UNDISTURBED GROUND BELOW FROST LINE



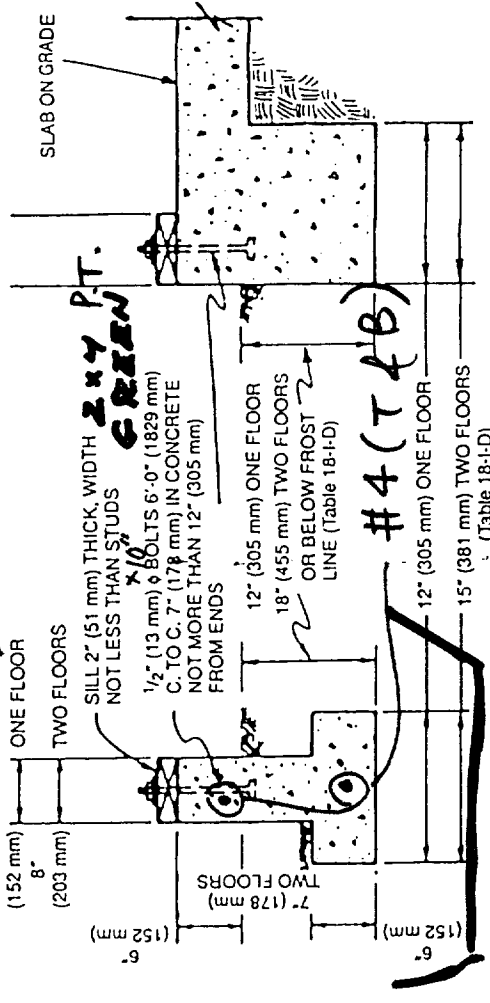
CORNER STUDS



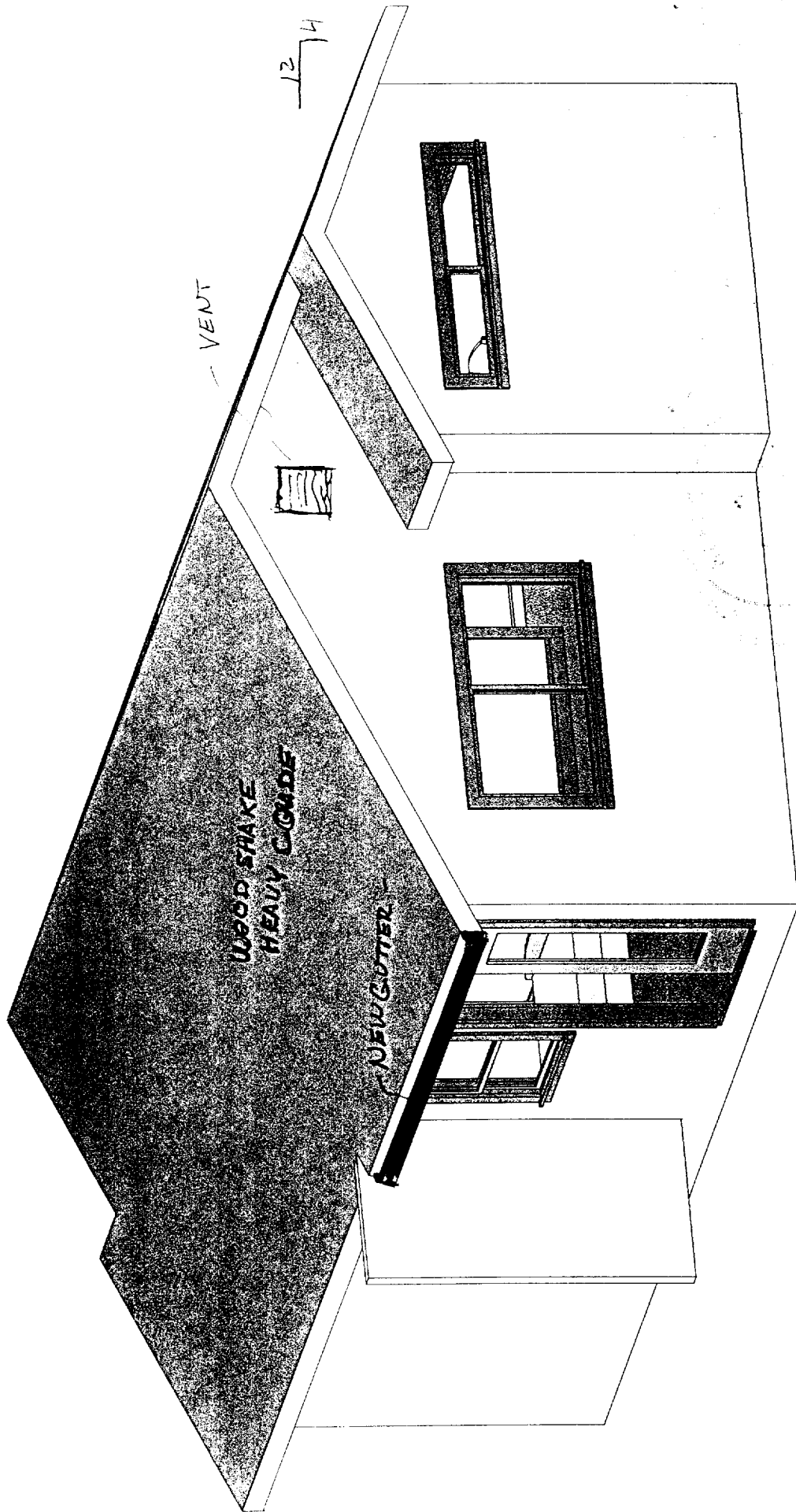
PIER



CONCRETE BLOCK



FOUNDATION DETAILS



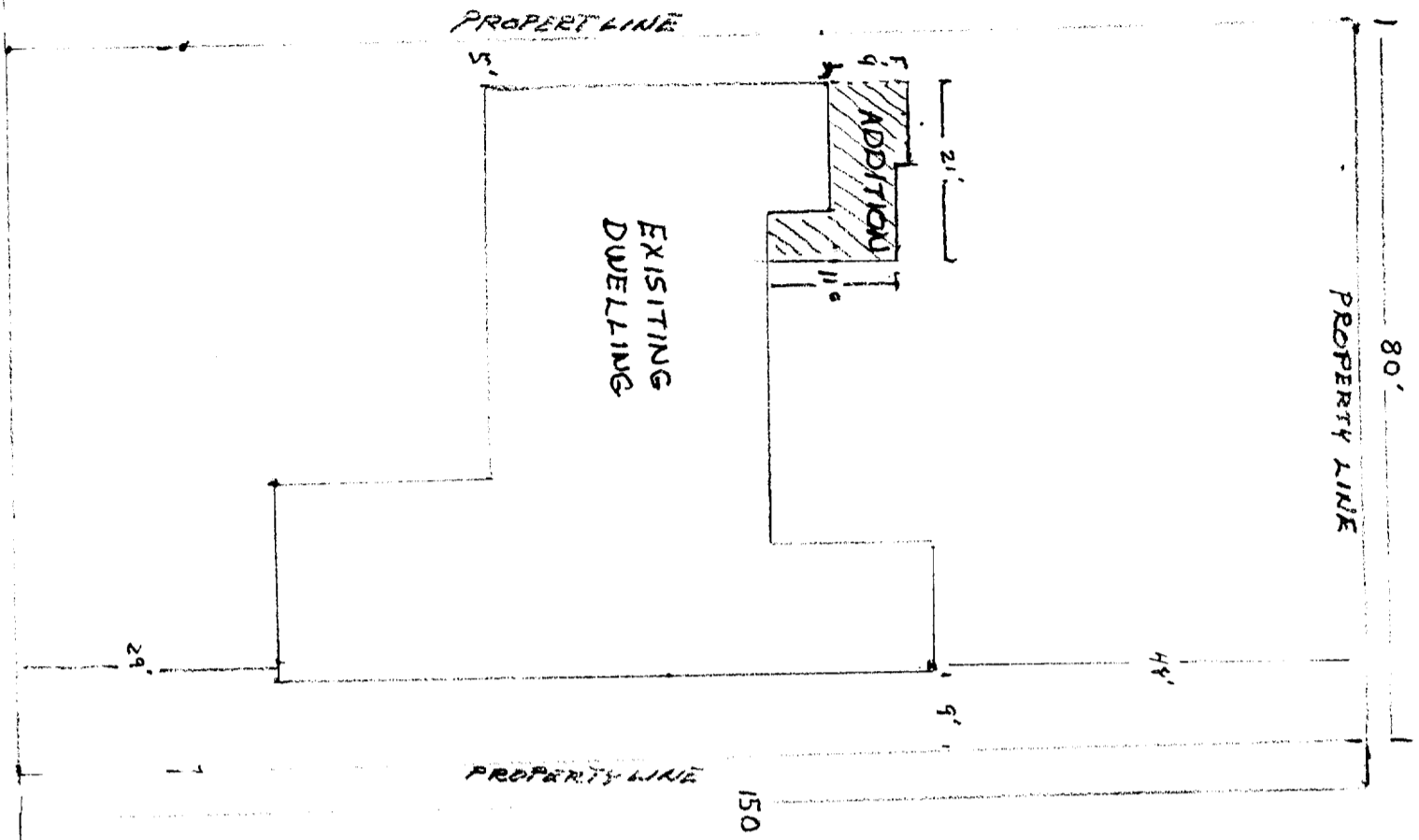
VENT

12 | 4

WOOD SHAKE
HEAVY GRADE

NEW GUTTER

PLOT PLAN



STREET
DUMPERIES CT



John Tang

HOLMES & SON CONTRACTING

SCALE: 20' = 1"

APPROVED BY:

DATE: 7-1-98

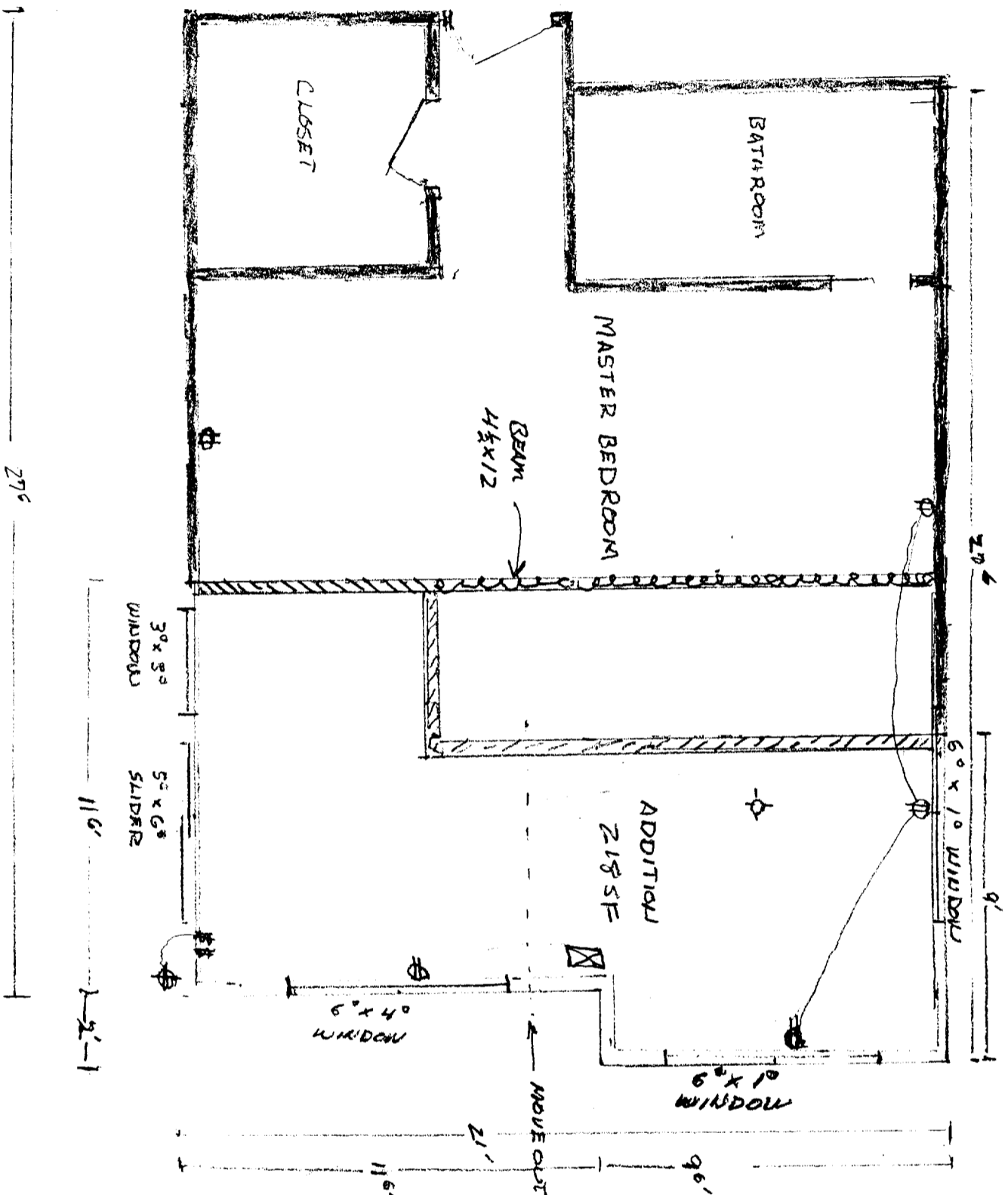
DRAWN BY

REVISED

HARRY + JAVIERE WANG
10 DUMPERIES CT
SACRAMENTO, CA 95831

DRAWING NUMBER

DETAIL



SIDING -
5/8 T-111 12" OC
TRIM
2x4 FASCIA -

ROOFING HEAVY WOOD
SHAKE
Insulation - R-19
FLOOR - R-13
WALL - R-13
CEILING

HUNGUENT

2x6 RAFTERS
1x12 SKIP SHEETING
1x8 V-RUSTIC ON EDGES

2x4 WALL FRAME
2x6 CEILING JOIST
3/4 PLY T+G SUBFLOOR

2x4 MUDSILL
2x6 JOIST

SWITCH
Ø COFLET
Ø LIGHT

4 1/2 x 12 x 21' BEAM

PATIB ALUM.
SLIDER
DUAL PANES

WINDOW
DUAL PANE METAL
BRIDGE

REMOVE WALL
NEW WALL
ORIGINAL WALL
WINDOW

HOLMES + SON CONTRACTORS

SCALE: 1/4" = 1'

APPROVED BY:

DRAWN BY:

DATE: 7-1-98

REVISED

HARRY + JAVIERE LOANIG-
10 DORN DRIVE
SACRAMENTO CA 95831

DRAWING NUMBER