

**CITY OF SACRAMENTO**

1231 I Street, Sacramento, CA 95814

Permit No: 0113379

Insp Area: 4

Thos Bros:

Sub-Type: NSFR

Site Address: 3007 GUADALAJARA WY SAC

Parcel No: RIVERVIEW 1A LOT 52 Housing (Y/N):

N

CONTRACTOR

BEAZER HOMES  
3009 DOUGLAS BL #150  
ROSEVILLE CA 95661

OWNER

ARCHITECT

Nature of Work: NSFR MP1540 1 STORY 7 RMS

**CONSTRUCTION LENDING AGENCY :** I hereby affirm under penalty of perjury that there is a construction lending agency for the performance of the work for which this permit is issued (Sec. 3097, Civ. C).

Lender's Name \_\_\_\_\_ Lender's Address \_\_\_\_\_

**LICENSED CONTRACTORS DECLARATION:** I hereby affirm under penalty of perjury that I am licensed under provisions of Chapter 9 (commencing with section 7000) of Division 3 of the Business and Professions Code and my license is in full force and effect.

License Class B License Number 724191 Date 10/22/01 Contractor Signature Sheryl Van Mauw

**OWNER-BUILDER DECLARATION:** I hereby affirm under penalty of perjury that I am exempt from the contractors License Law for the following reason (Sec. 7031.5, Business and Professions Code; any city or county which requires a permit to construct, alter, improve, demolish, or repair any structure, prior to its issuance, also requires the applicant for such permit to file a signed statement that he or she is licensed pursuant to the provisions of the Contractors License Law (Chapter 9 (commencing with Section 7000) of Division 8 of the Business and Professions Code) or that he or she is exempt therefrom and the basis for the alleged exemption. Any violation of Section 7031.5 by any applicant for a permit subjects the applicant to a civil penalty of not more than five hundred dollars (\$500.00);

I, as a owner of the property, or my employees with wages as their sole compensation, will do the work, and the structure is not intended or offered for sale (Sec. 7044, Business and Professional Code: The Contractors License Law does not apply to an owner of property who builds or improves thereon, and who does such work himself or herself or through his/her own employees, provided that such improvements are not intended or offered for sale. If, however, the building or improvement is sold within one year of completion, the owner-builder will have the burden of proving that he/she did not build or improve for the purpose of sale.)

I, as owner of the property, am exclusively contracting with licensed contractors to construct the project (Sec. 7044, Business and Professions Code: The Contractors License Law does not apply to an owner of property who builds or improves thereon, and who contracts for such projects with a contractor(s) licensed pursuant to the Contractors License Law).

I am exempt under Sec. \_\_\_\_\_ B & PC for this reason: \_\_\_\_\_

Date \_\_\_\_\_ Owner Signature \_\_\_\_\_

**IN ISSUING THIS BUILDING PERMIT,** the applicant represents, and the city relies on the representation of the applicant, that the applicant verified all measurements and locations shown on the application or accompanying drawings and that the improvement to be constructed does not violate any law or private agreement relating to permissible or prohibited locations for such improvements. This building permit does not authorize any illegal location of any improvement or the violation of any private agreement relating to location of improvements.

I certify that I have read this application and state that all information is correct. I agree to comply with all city and county ordinances and state laws relating to building construction and hereby authorize representative(s) of this city to enter upon the abovementioned property for inspection purposes.

Date 10/22/01 Applicant/Agent Signature Sheryl Van Mauw

**WORKER'S COMPENSATION DECLARATION:** I hereby affirm under penalty of perjury one of the following declarations:

I have and will maintain a certificate of consent to self-insure for workers' compensation as provided for by Section 3700 of the Labor Code, for the performance of work for which the permit is issued.

I have and will maintain workers' compensation insurance, as required by Section 3700 of the Labor Code, for the performance of the work for which this permit is issued. My workers' compensation insurance carrier and policy number are:

Carrier LIBERTY MUTUAL INS CO. Policy Number WA2-651-004147-080 Exp Date 04/01/2002

(This section need not be completed if the permit is for \$100 or less) I certify that in the performance of the work for which this permit is issued, I shall not employ any person in any manner so as to become subject to the workers' compensation laws of California and agree that if I should become subject to the workers' compensation provisions of Section 3700 of the Labor Code, I shall forthwith comply with those provisions.

Date 10/22/01 Applicant Signature Sheryl Van Mauw

**WARNING: FAILURE TO SECURE WORKER'S COMPENSATION COVERAGE IS UNLAWFUL AND SHALL SUBJECT AN EMPLOYER TO CRIMINAL PENALTIES AND CIVIL FINES UP TO ONE HUNDRED THOUSAND DOLLARS (\$100,000) IN ADDITION TO THE COST OF COMPENSATION, DAMAGES AS PROVIDED FOR IN SECTION 3706 OF THE LABOR CODE, INTEREST AND ATTORNEY'S FEE.**

**THIS PERMIT SHALL EXPIRE BY LIMITATION IF WORK IS NOT COMMENCED WITHIN 180 DAYS.**

**RESIDENTIAL BUILDING PERMIT APPLICATION**

- New Construction     Addition     Remodels     Other

Project Address: 3007 Guadalupe Way                      Assessor Parcel # \_\_\_\_\_

**OWNER INFORMATION:**

Legal Property Owner: Beazer Homes                      Phone # 773-3888  
 Owner Address: 3009 Douglas Blvd., #150    City Roseville    State CA    Zip 95661

**CONTRACTOR INFORMATION:**

Contractor: Beazer Homes                      Lic. # 724191                      Phone # 773-3888                      Fax# 773-0425

**PROJECT INFORMATION:**

Land Use Zone \_\_\_\_\_    Occupancy Group \_\_\_\_\_    Construction Type \_\_\_\_\_    Fed Code \_\_\_\_\_  
 No. of stories: 1                      No. of rooms: 7                      Street width: \_\_\_\_\_  
 1<sup>st</sup> Floor Area 1540    2<sup>nd</sup> Floor Area -0-                      Basement -0-                      Roof Material -0-

AREA IN SQUARE FOOT OF:	EXISTING	NEW
Dwelling/Living	_____	<u>1540</u>
Garage/Storage	_____	<u>413</u>
Decks/Balconies	_____	<u>-0- 75</u>
Carports	_____	<u>-0-</u>

SCOPE OF WORK: New SFD

**FOR OFFICE USE ONLY**

- |   |   |  |
|---|---|--|
| <input type="checkbox"/> Information above complete | <input type="checkbox"/> AR Flood Waiver required             | <input type="checkbox"/> Planning Approval                   |
| <input type="checkbox"/> Violation files checked    | <input type="checkbox"/> Flood Elevation Certificate Required | <input type="checkbox"/> Design Review Approval              |
| <input type="checkbox"/> Standard setbacks          | <input type="checkbox"/> Water Development Infill Area        | <input type="checkbox"/> Special Fee Districts Apply : _____ |
| <input type="checkbox"/> County Sewer               |   |  |

**NEW STRUCTURES & ADDITIONS**

◆ THE FOLLOWING MUST BE PROVIDED IN ORDER TO SUBMIT FOR PLAN REVIEW

- |   |   |
|---|---|
| <input type="checkbox"/> 2 COMPLETE PLANS, LEGIBLE & DRAWN TO SCALE   | ◆ Plans to include: site plan, floor plan, elevations, roof/ceiling plan, foundation and structural framing details, and structural calculations for non-conforming structures. |
| <input type="checkbox"/> 3 SETS IF PROJECT IS IN A DESIGN REVIEW AREA |   |
| <input type="checkbox"/> Title 24 Energy Compliance documentation     | <input type="checkbox"/> 11" x 17" copy of floor plan for County Assessor   |
| <input type="checkbox"/> Grading and Erosion Control Questionnaire    | <input type="checkbox"/> Plan Review Fees   |

Date: \_\_\_\_\_                      Received by: (staff) \_\_\_\_\_

ACTIVITY/PERMIT #  
0113379

101,995<sup>11</sup>



# F. RODGERS INSULATION RESIDENTIAL, INC.

® THERMAL INSULATION CONTRACTORS  
Residential

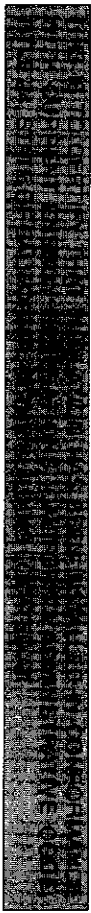
2713

7775 LAS POSITAS ROAD, SUITE A • LIVERMORE, CA 94550-0216

(925) 294-9400 • FAX (925) 294-9475

8541 YOUNGER CREEK DRIVE, SUITE 400 • SACRAMENTO, CA 98828

(916) 386-9400 • FAX (916) 386-9446



BEAZER LOT # 52 TRACT # DEL SOL

STREET CITY SAC

### EXTERIOR WALLS:

MANUFACTURER o/c THICKNESS/TYPE R- VALUE 13+19

### CEILING:

BATTS: o/c THICKNESS/TYPE R- VALUE 38

MANUFACTURER BLOWN IN: o/c CURB MINIMUM THICKNESS R- VALUE 38

MANUFACTURER SQUARE FOOTAGE COVERED 1480 NUMBER OF BAGS USED 31

FLOORS & OVERHANGS: MANUFACTURER THICKNESS/TYPE R- VALUE

OTHER: MANUFACTURER THICKNESS/TYPE R- VALUE

GENERAL CONTRACTOR CALIFORNIA CONTRACTORS LICENSE #

DATE

SIGNATURE TITLE

INSULATION CONTRACTOR F. RODGERS INSULATION RESIDENTIAL  
CALIFORNIA CONTRACTORS LICENSE #771285

DATE 1-12-02

B. J. [Signature] SIGNATURE TITLE

#52

# OMEGA PRODUCTS CORP.

## DIAMOND WALL INSULATING STUCCO SYSTEM

JOB ADDRESS:

BEAZER PIAZZA DEL SOL

ICBO Report #4004

Date of Job Completion 1/14/02

PLASTERING CONTRACTOR:

Name: STUCCO WORKS INC.

Address: 5900 WAREHOUSE WAY, SACRAMENTO, CALIFORNIA 95826

Telephone No: (916) 383-6699

Contractor Number of Diamond Wall System 2175

This is to certify that the exterior coating system on the building exterior at the above address has been installed in accordance with the evaluation report specified above and the manufacturer's instructions.

1/18/02  
Date

[Signature]  
Signature of authorized representative of  
Plastering Contractor

This installation card must be filed with the building inspector after completion of work and before final inspection.

**N**orman

**S**cheel

**S**tructural

**E**ngineer

**Sacramento**  
5022 Sunrise Blvd.  
Fair Oaks, CA 95628  
(916) 536-9585  
(916) 536-0260 (fax)

**NORMAN SCHEEL**  
Structural Engineer  
Email: [norm@nsse.com](mailto:norm@nsse.com)

**ROBERT COON**  
Project Manager  
Email: [rob@nsse.com](mailto:rob@nsse.com)

**PAULO IBANEZ**  
Project Manager  
Email: [paulo@nsse.com](mailto:paulo@nsse.com)

**TIM SLOAN**  
Project Manager  
Email: [tim@nsse.com](mailto:tim@nsse.com)

**STEVE COOKSEY**  
CAD Supervisor  
Email: [steve@nsse.com](mailto:steve@nsse.com)

**STACY MARLIN**  
Office Manager  
Email: [stacy@nsse.com](mailto:stacy@nsse.com)

**Davis**  
213 E Street Suite B  
Davis, CA 95616  
(530)753-5300  
(530)753-5380(fax)

**TRACY HARRIS P.E.**  
Project Engineer  
Email: [tracy@nsse.com](mailto:tracy@nsse.com)

**DARRELL PEREIRA**  
Design Engineer  
Email: [darrell@nsse.com](mailto:darrell@nsse.com)

February 19, 2001


Beazer Homes  
3009 Douglas Blvd. Suite 150  
Roseville, CA 95661

**Re: Cobble Ridge (Job #99281)**  
**H7 Clips @ Drag Trusses**

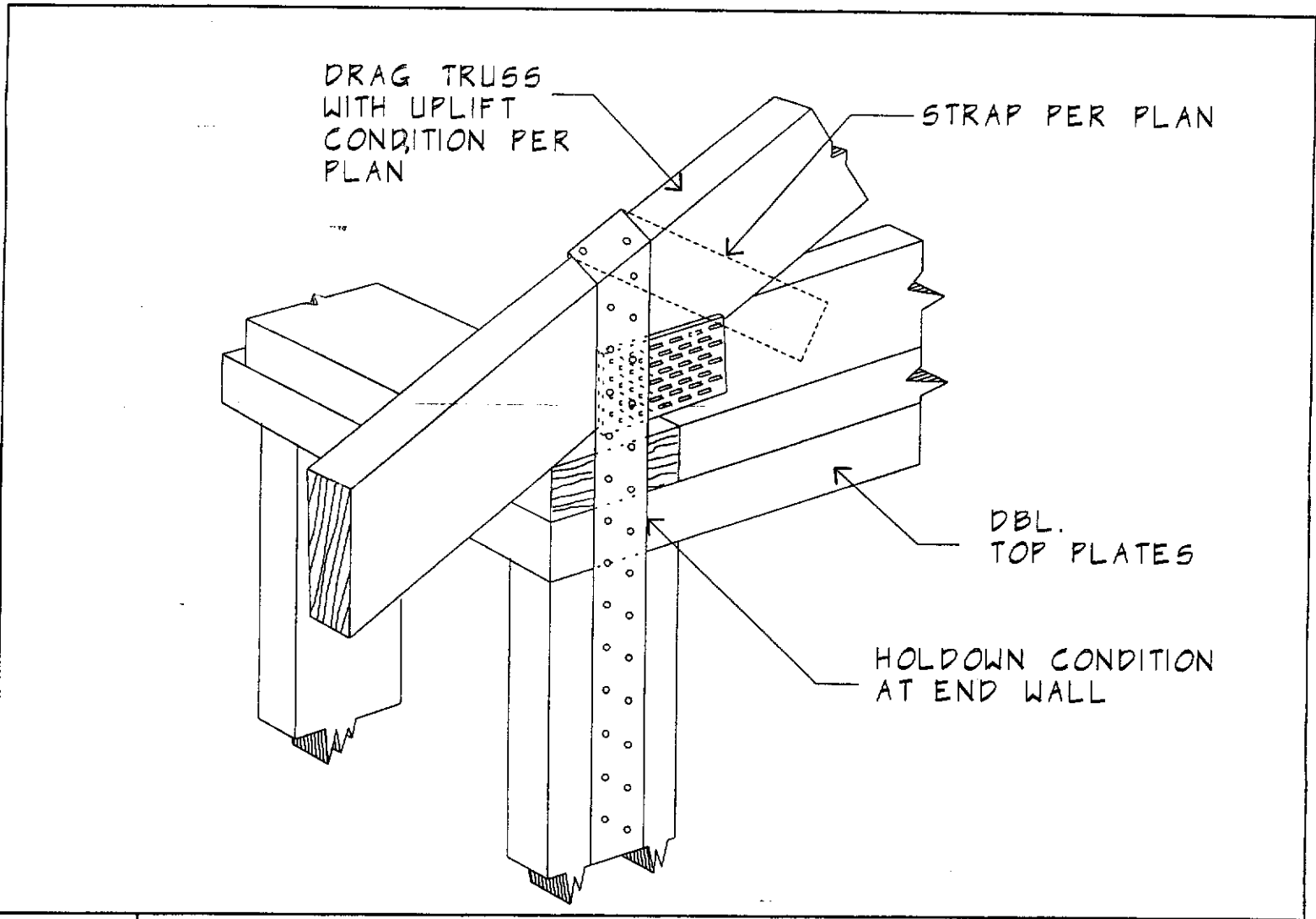
To Whom It May Concern:

This letter is to clarify that it is acceptable to use CS16 straps in place of the H7 clips specified on the plans. The straps should be a minimum of 32" long and installed per the detail supplied with this letter.

If you have any questions, please call Rob Coon.

  
**NORMAN SCHEEL**  
**STRUCTURAL ENGINEER**

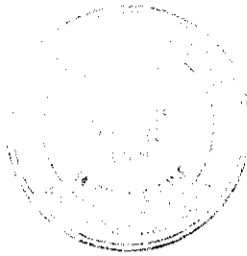




456 STRAP DETAIL

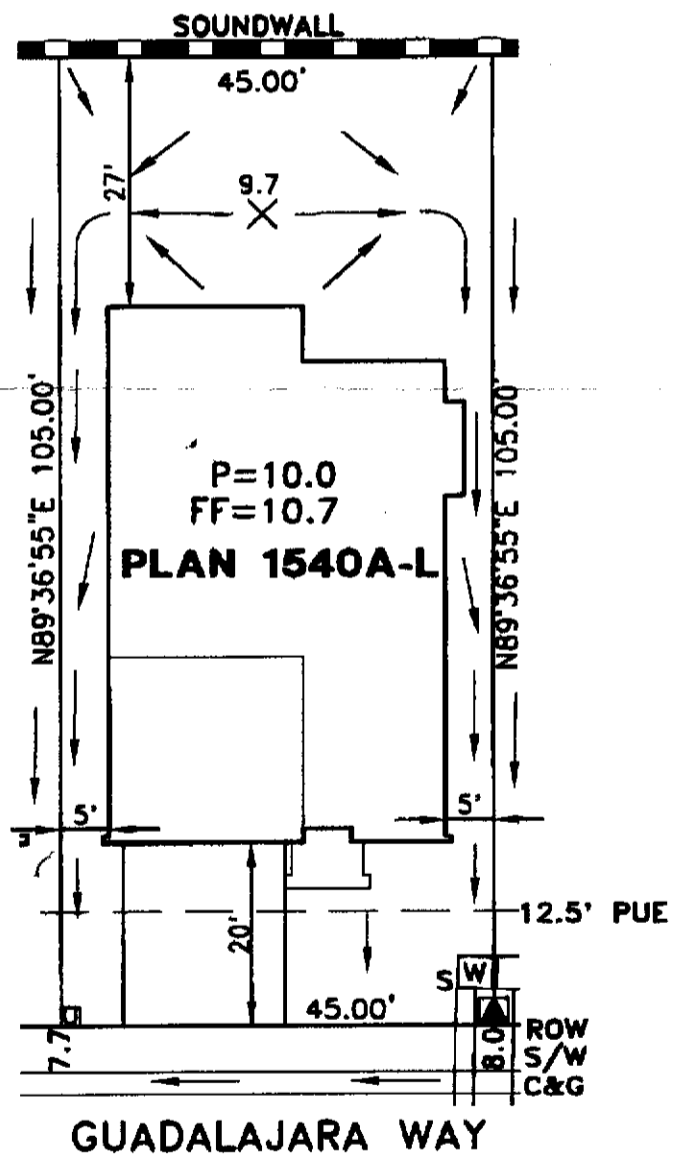
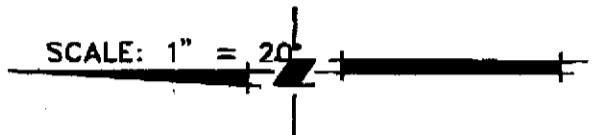


THIS PLOT PLAN IS NOT FOR SALES PURPOSES. THIS PLOT PLAN IS FOR THE PURPOSES OF INDICATING COMPLIANCE WITH ZONING SET BACKS, GENERAL DRAINAGE DIRECTION, AND APPROXIMATE UTILITY CONNECTION. ALL OTHER DATA SHOWN HEREON IS CONCEPTUAL. THIS PLOT PLAN DOES NOT REFLECT AS-BUILT CONDITION. RETAINING WALL ARE OPTIONAL AND MAY OR MAY NOT BE CONSTRUCTED.



This plan must be approved by the City of Sacramento. The approval of this plan and specification SHALL NOT be held to permit or approve the violation of any City Ordinance or State Law.

APPROVAL	INITIALS
✓	Ch



- ▲ - TRANSFORMER
- - UTILITY SERVICE BOX

**PLOT PLAN**  
**LOT 52**  
RIVER VIEW #1 VILLAGE A  
FOR  
BEAZER HOMES  
CITY OF SACRAMENTO CALIFORNIA

**WOOD RODGERS INC.**

ENGINEERING PLANNING MAPPING SURVEYING  
3901 O STREET, BLDG. 100-8, SACRAMENTO, CA 95816  
PHONE: (916) 341-7760 FAX: (916) 341-7767

DATE: SEPT 2001	DRAWN: DBJ	CHECKED: [Signature]	PROJECT NO: 1055.016
--------------------	---------------	-------------------------	-------------------------

J:\JOBS\RIVERVIEW\DWG\FROMREY\UNIT1\PHASE-A\LOTPLANS\LOT-52.DWG 09/10/01 08:42