

CITY OF SACRAMENTO  
1231 I Street, Sacramento, CA 95814

Permit No: 0319245  
Insp Area: 4  
Thos Bros: 256-J4

Site Address: 3459 LOGGERHEAD WY SAC  
Parcel No: 225-1910-042 PARKVIEW VIL. 8 LOT 42

Sub-Type: NSFR  
Housing (Y/N): N

CONTRACTOR  
RYLAND HOMES  
3005 DOUGLAS BL. STE. 115  
ROSEVILLE CA. 95661

OWNER

ARCHITECT

Nature of Work: MP 2319 2 STORY 9 ROOM SFR

**CONSTRUCTION LENDING AGENCY:** I hereby affirm under penalty of perjury that there is a construction lending agency for the performance of the work for which this permit is issued (Sec. 3097, Civ. C).

Lender's Name \_\_\_\_\_ Lender's Address \_\_\_\_\_

**LICENSED CONTRACTORS DECLARATION:** I hereby affirm under penalty of perjury that I am licensed under provisions of Chapter 9 (commencing with section 7000) of Division 3 of the Business and Professions Code and my license is in full force and effect.

License Class B License Number 054648 Date 1.21.04 Contractor Signature [Signature]

**OWNER-BUILDER DECLARATION:** I hereby affirm under penalty of perjury that I am exempt from the contractors License Law for the following reason (Sec. 7031.5, Business and Professions Code; any city or county which requires a permit to construct, alter, improve, demolish, or repair any structure, prior to its issuance, also requires the applicant for such permit to file a signed statement that he or she is licensed pursuant to the provisions of the Contractors License Law (Chapter 9 (commencing with Section 7000) of Division 8 of the Business and Professions Code) or that he or she is exempt therefrom and the basis for the alleged exemption. Any violation of Section 7031.5 by any applicant for a permit subjects the applicant to a civil penalty of not more than five hundred dollars (\$500.00);

\_\_\_\_ I, as a owner of the property, or my employees with wages as their sole compensation, will do the work, and the structure is not intended or offered for sale (Sec. 7044, Business and Professional Code: The Contractors License Law does not apply to an owner of property who builds or improves thereon, and who does such work himself or herself or through his/her own employees, provided that such improvements are not intended or offered for sale. If, however, the building or improvement is sold within one year of completion, the owner-builder will have the burden of proving that he/she did not build or improve for the purpose of sale.)

\_\_\_\_ I, as owner of the property, am exclusively contracting with licensed contractors to construct the project (Sec. 7044, Business and Professions Code: The Contractors License Law does not apply to an owner of property who builds or improves thereon, and who contracts for such projects with a contractor(s) licensed pursuant to the Contractors License Law).

\_\_\_\_ I am exempt under Sec. \_\_\_\_\_ B & PC for this reason: \_\_\_\_\_

Date \_\_\_\_\_ Owner Signature \_\_\_\_\_

**IN ISSUING THIS BUILDING PERMIT,** the applicant represents, and the city relies on the representation of the applicant, that the applicant verified all measurements and locations shown on the application or accompanying drawings and that the improvement to be constructed does not violate any law or private agreement relating to permissible or prohibited locations for such improvements. This building permit does not authorize any illegal location of any improvement or the violation of any private agreement relating to location of improvements.

I certify that I have read this application and state that all information is correct. I agree to comply with all city and county ordinances and state laws relating to building construction and hereby authorize representative(s) of this city to enter upon the abovementioned property for inspection purposes.

Date 1.21.04 Applicant/Agent Signature [Signature]

**WORKER'S COMPENSATION DECLARATION:** I hereby affirm under penalty of perjury one of the following declarations:

\_\_\_\_ I have and will maintain a certificate of consent to self-insure for workers' compensation as provided for by Section 3700 of the Labor Code, for the performance of work for which the permit is issued.

I have and will maintain workers' compensation insurance, as required by Section 3700 of the Labor Code, for the performance of the work for which this permit is issued. My workers' compensation insurance carrier and policy number are:

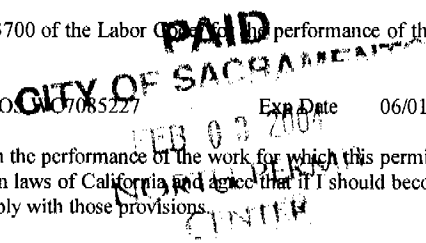
Carrier AMERICAN HOME ASSURANCE Policy Number AO 0107085227 Exp Date 06/01/2003

\_\_\_\_ (This section need not be completed if the permit is for \$100 or less) I certify that in the performance of the work for which this permit is issued, I shall not employ any person in any manner so as to become subject to the workers' compensation laws of California and agree that if I should become subject to the workers' compensation provisions of Section 3700 of the Labor Code, I shall forthwith comply with those provisions.

Date 1.21.04 Applicant Signature [Signature]

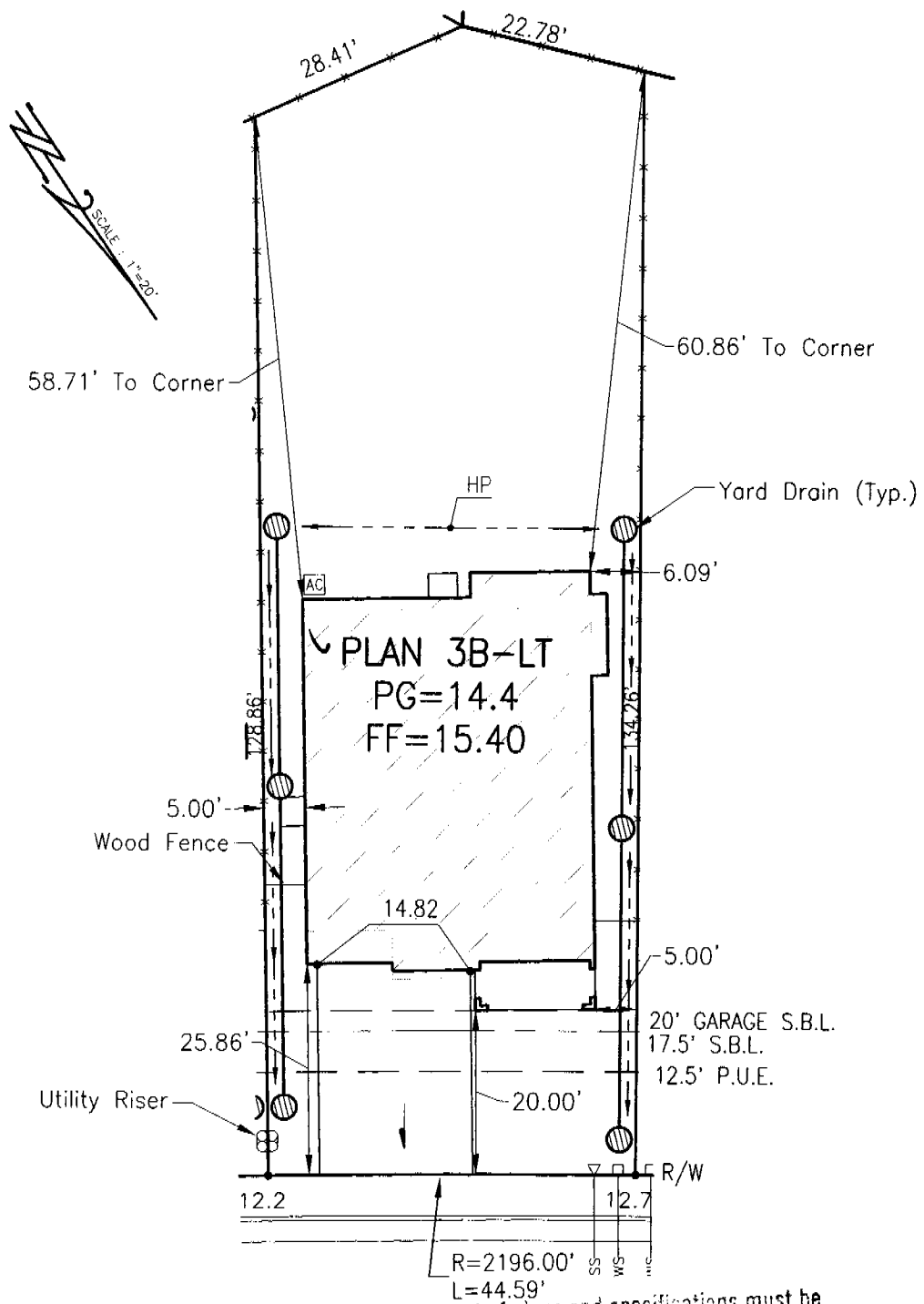
**WARNING:** FAILURE TO SECURE WORKER'S COMPENSATION COVERAGE IS UNLAWFUL AND SHALL SUBJECT AN EMPLOYER TO CRIMINAL PENALTIES AND CIVIL FINES UP TO ONE HUNDRED THOUSAND DOLLARS (\$100,000) IN ADDITION TO THE COST OF COMPENSATION, DAMAGES AS PROVIDED FOR IN SECTION 3706 OF THE LABOR CODE, INTEREST AND ATTORNEY'S FEE.

**THIS PERMIT SHALL EXPIRE BY LIMITATION IF WORK IS NOT COMMENCED WITHIN 180 DAYS.**

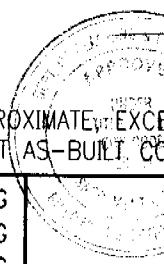


MP 2319

42EPA



This set of plans and specifications must be kept on the job at all times and it is unlawful to make any changes or alterations from the same without written permission from the City of Sacramento.



Loggerhead Way

R.A.S.

DIMENSIONS SHOWN ARE APPROXIMATE, EXCEPT FOR MINIMUMS REQUIRED BY ORDINANCE. THIS PLOT DOES NOT REFLECT AS-BUILT CONDITIONS WHICH MAY VARY FROM THIS PLAN.

Parkview Village 8  
by Ryland Homes Inc.

**BW**  
**BW**  
**BAKER-WILLIAMS ENGINEERING GROUP**  
6020 Rutland Drive, Suite 19  
Carmichael, California 95608  
(916) 331-4336  
(Fax) 331-4430

**PLOT PLAN FOR LOT 42**  
Address: 3459 Loggerhead Way  
City of Sacramento, Sacramento Co.

**SCALE : 1"=20'**  
Date: Oct 30, 2003  
Revised:  
Drawn By: SAK  
Job No.: 02-08-093

Lot Area: 6,228.02 s.f.  
Lot Coverage: 26.2%





**F. RODGERS INSULATION  
RESIDENTIAL, INC.**

*Thermal Insulation Contractors*  
Residential

INSULATION  
CERTIFICATE

7235

7775 LAS POSITAS ROAD • LIVERMORE, CA 94550  
(925) 294-9400 • FAX (925) 294-9475

1300 S. RIVER RD. #125 • W. SACRAMENTO, CA 95691  
(916) 386-9400 • FAX (916) 386-9446

THIS IS TO CERTIFY THAT INSULATION HAS BEEN INSTALLED IN CONFORMANCE WITH CURRENT ENERGY REGULATION, CALIFORNIA ADMINISTRATIVE CODE, TITLE 24, STATE OF CALIFORNIA, IN THE BUILDING LOCATED AT:

*Ryland Homes* LOT # 42 TRACT # Park View

STREET \_\_\_\_\_ CITY Sac

EXTERIOR WALLS:

MANUFACTURER Oc THICKNESS/TYPE \_\_\_\_\_ R-  
VALUE 13/19

CEILING:

BATTS: MANUFACTURER Oc THICKNESS/TYPE \_\_\_\_\_ R-  
VALUE 38  
BLOWN IN: MINIMUM R-  
MANUFACTURER Oc THICKNESS/TYPE \_\_\_\_\_ R-  
VALUE 38

SQUARE FOOTAGE COVERED 1323 NUMBER OF BAGS USED 27  
FLOORS & OVERHANGS:  
MANUFACTURER Oc THICKNESS/TYPE \_\_\_\_\_ R-  
VALUE 19  
OTHER: R-  
MANUFACTURER \_\_\_\_\_ THICKNESS/TYPE \_\_\_\_\_ R-  
VALUE \_\_\_\_\_

GENERAL CONTRACTOR \_\_\_\_\_  
CALIFORNIA CONTRACTORS LICENSE # \_\_\_\_\_

DATE \_\_\_\_\_  
SIGNATURE \_\_\_\_\_ TITLE \_\_\_\_\_

INSULATION CONTRACTOR F. RODGERS INSULATION RESIDENTIAL  
CALIFORNIA CONTRACTORS LICENSE #771285

DATE 5-15-04  
SIGNATURE [Signature] TITLE installer

