

CITY OF SACRAMENTO
1231 I Street, Sacramento, CA 95814

Permit No: 0319239
Insp Area: 4
Thos Bros: 256-J4

Site Address: 3471 LOGGERHEAD WY SAC
Parcel No: 225-1910-044 PARKVIEW VIL. 8 LOT 44

Sub-Type: NSFR
Housing (Y/N): N

CONTRACTOR
RYLAND HOMES
3005 DOUGLAS BL. STE. 115
ROSEVILLE CA. 95661

OWNER

ARCHITECT

Nature of Work: NSFR MP1702 9 RMS

CONSTRUCTION LENDING AGENCY : I hereby affirm under penalty of perjury that there is a construction lending agency for the performance of the work for which this permit is issued (Sec. 3097, Civ. C).

Lender's Name _____ Lender's Address _____

LICENSED CONTRACTORS DECLARATION: I hereby affirm under penalty of perjury that I am licensed under provisions of Chapter 9 (commencing with section 7000) of Division 3 of the Business and Professions Code and my license is in full force and effect.

License Class B License Number 054648 Date 1.21.04 Contractor Signature [Signature]

OWNER-BUILDER DECLARATION: I hereby affirm under penalty of perjury that I am exempt from the contractors License Law for the following reason (Sec. 7031.5, Business and Professions Code; any city or county which requires a permit to construct, alter, improve, demolish, or repair any structure, prior to its issuance, also requires the applicant for such permit to file a signed statement that he or she is licensed pursuant to the provisions of the Contractors License Law (Chapter 9 (commencing with Section 7000) of Division 8 of the Business and Professions Code) or that he or she is exempt therefrom and the basis for the alleged exemption. Any violation of Section 7031.5 by any applicant for a permit subjects the applicant to a civil penalty of not more than five hundred dollars (\$500.00);

I, as a owner of the property, or my employees with wages as their sole compensation, will do the work, and the structure is not intended or offered for sale (Sec. 7044, Business and Professional Code: The Contractors License Law does not apply to an owner of property who builds or improves thereon, and who does such work himself or herself or through his/her own employees, provided that such improvements are not intended or offered for sale. If, however, the building or improvement is sold within one year of completion, the owner-builder will have the burden of proving that he/she did not build or improve for the purpose of sale.)

I, as owner of the property, am exclusively contracting with licensed contractors to construct the project (Sec. 7044, Business and Professions Code: The Contractors License Law does not apply to an owner of property who builds or improves thereon, and who contracts for such projects with a contractor(s) licensed pursuant to the Contractors License Law).

I am exempt under Sec. _____ B & PC for this reason: _____

Date _____ Owner Signature _____

IN ISSUING THIS BUILDING PERMIT, the applicant represents, and the city relies on the representation of the applicant, that the applicant verified all measurements and locations shown on the application or accompanying drawings and that the improvement to be constructed does not violate any law or private agreement relating to permissible or prohibited locations for such improvements. This building permit does not authorize any illegal location of any improvement or the violation of any private agreement relating to location of improvements.

I certify that I have read this application and state that all information is correct. I agree to comply with all city and county ordinances and state laws relating to building construction and hereby authorize representative(s) of this city to enter upon the abovementioned property for inspection purposes.

Date 1.21.04 Applicant/Agent Signature [Signature]

WORKER'S COMPENSATION DECLARATION: I hereby affirm under penalty of perjury one of the following declarations:

I have and will maintain a certificate of consent to self-insure for workers' compensation as provided for in Section 3700 of the Labor Code, for the performance of work for which the permit is issued.

I have and will maintain workers' compensation insurance, as required by Section 3700 of the Labor Code, for the performance of the work for which this permit is issued. My workers' compensation insurance carrier and policy number are:

Carrier AMERICAN HOME ASSURANCE Policy Number AOS WC7085841 Exp Date 06/01/2003

(This section need not be completed if the permit is for \$100 or less) I certify that in the performance of the work for which this permit is issued, I shall not employ any person in any manner so as to become subject to the workers' compensation laws of California and agree that if I should become subject to the workers' compensation provisions of Section 3700 of the Labor Code, I shall forthwith comply with those provisions.

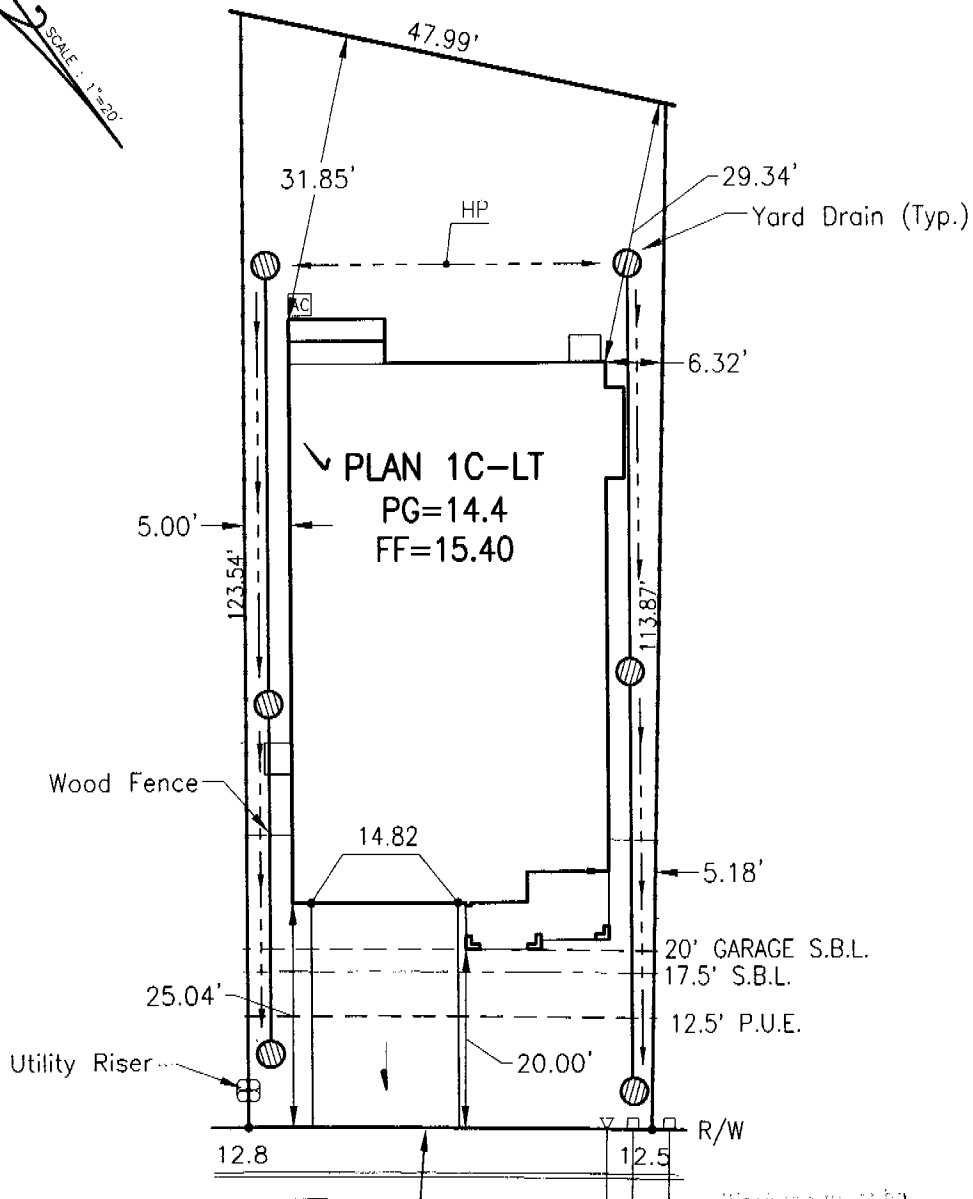
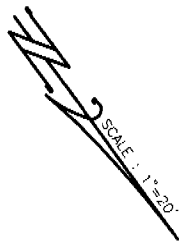
Date 1.21.04 Applicant Signature [Signature]

WARNING: FAILURE TO SECURE WORKER'S COMPENSATION COVERAGE IS UNLAWFUL AND SHALL SUBJECT AN EMPLOYER TO CRIMINAL PENALTIES AND CIVIL FINES UP TO ONE HUNDRED THOUSAND DOLLARS (\$100,000) IN ADDITION TO THE COST OF COMPENSATION, DAMAGES AS PROVIDED FOR IN SECTION 3706 OF THE LABOR CODE, INTEREST AND ATTORNEY'S FEE.

THIS PERMIT SHALL EXPIRE BY LIMITATION IF WORK IS NOT COMMENCED WITHIN 180 DAYS.

PAID
CITY OF SACRAMENTO
FEB 05 2005
NORTH PERMIT CENTER

44EPN



R=2196.00'
 L=44.59'
 Loggerhead Way
 The approval of this plan and specifications shall be a condition of approval of the subdivision map and shall be subject to the approval of the City of Sacramento, California.

DIMENSIONS SHOWN ARE APPROXIMATE, EXCEPT FOR MINIMUMS REQUIRED BY ORDINANCE OR APPROVE THE THIS PLOT DOES NOT REFLECT AS-BUILT CONDITIONS WHICH MAY VARY FROM THIS PLAN.

BW
BW
BAKER-WILLIAMS ENGINEERING GROUP
 6020 Rulland Drive, Suite 19
 Carmichael, California 95608
 (916) 331-4336
 (Fax) 331-4430

Parkview Village 8
by Ryland Homes Inc.

PLOT PLAN FOR LOT 44

Address: 3471 Loggerhead Way
 City of Sacramento, Sacramento Co.

Lot Area: 5,432.71 s.f.
 Lot Coverage: 39.2%

SCALE : 1"=20'
 Date: Oct 30, 2003
 Revised:
 Drawn By: SAK
 Job No.: 02-08-093

Lot Number: 44

Subdivision Parkview V8

OWNER INFORMATION:

Legal Property Owner: Ryland Homes Phone# 997-7743
Owner Address: 1755 CREEKSIDE OAKS City SAC State CA Zip 95833

CONTRACTOR INFORMATION:

2

Contractor: Ryland Homes Lic. # 54648 Phone # 997-7743 Fax 784-9805

PROJECT INFORMATION: PLAN ONE - MP1702

Land Use Zone RIA Occupancy Group R3 Construction Type VN Fed Code 1A

No. of Stories: 1 No. of Rooms: 9 Street Width: 41'

1st Floor Area 1702 2nd Floor Area _____ Basement _____ Roof Material Tile

AREA IN SQUARE FOOT OF:

Dwelling/Living 1702
Garage/Storage 407
Decks/Balconies _____
Carports _____

SCOPE OF WORK: SED

- Information Above Complete
- Violation Files Checked
- Standard Setbacks
- County Sewer
- AR Flood Waiver Required
- Flood Elevation Certificate Required
- Water Development Infill Area
- Planning Approval
- Design Review Approval
- Special Fee Districts Apply:

THE FOLLOWING MUST BE PROVIDED IN ORDER TO SUBMIT FOR PERMIT

- 2 COMPLETE PLOT PLANS, LEGIBLE & DRAWN TO SCALE
- 11 X 17 COPY OF FLOOR PLAN WITH FOLLOWING INFORMATION
 - a) Assessor's Parcel Number
 - b) New Floor Area
 - c) Owners Name
 - d) Project Address

Date: _____ Received by: (staff) _____ Permit # _____

PLAN ONE PY



**F. RODGERS INSULATION
RESIDENTIAL, INC.**

Thermal Insulation Contractors
Residential

INSULATION
CERTIFICATE

7233

7775 LAS POSITAS ROAD • LIVERMORE, CA 94550
(925) 294-9400 • FAX (925) 294-9475

1300 S. RIVER RD. #125 • W. SACRAMENTO, CA 95691
(916) 386-9400 • FAX (916) 386-9446

THIS IS TO CERTIFY THAT INSULATION HAS BEEN INSTALLED IN CONFORMANCE WITH CURRENT ENERGY REGULATION, CALIFORNIA ADMINISTRATIVE CODE, TITLE 24, STATE OF CALIFORNIA, IN THE BUILDING LOCATED AT:

Ryland Homes LOT # *44* TRACT # *Packview*

STREET _____ CITY *Sac*

EXTERIOR WALLS: MANUFACTURER *OC* THICKNESS/TYPE _____ R-VALUE *13/19*

CEILINGS: BATT: MANUFACTURER *OC* THICKNESS/TYPE _____ R-VALUE *38*

BLOWN IN: MANUFACTURER *OC* THICKNESS/TYPE _____ R-VALUE *38*

SQUARE FOOTAGE COVERED *1568* NUMBER OF BAGS USED *32*

FLOORS & OVERHANGS: MANUFACTURER _____ THICKNESS/TYPE _____ R-VALUE _____

OTHER: MANUFACTURER _____ THICKNESS/TYPE _____ R-VALUE _____

GENERAL CONTRACTOR _____ DATE _____

CALIFORNIA CONTRACTORS LICENSE # _____ SIGNATURE _____ TITLE _____

INSULATION CONTRACTOR F. RODGERS INSULATION RESIDENTIAL
CALIFORNIA CONTRACTORS LICENSE #771285
DATE *5-15-05*
SIGNATURE *insulator* TITLE _____

INSTALLATION CARD
(Coating system Trade Name)
(Name of coating manufacturer)

Job Address

3471 Loggerhead Wy
PackView VIL B Lot #44
Permit #0319239

ICBO Building Division
Report No. 21-1000

Date of Job Completion 5/13/04

Plastering Contractor

Name: Mid Valley Plastering Inc.
Address: 15300 S McKinley Ave Lathrop CA 95130
Telephone No. (909) 958-9766

Approved contractor number as
issued by the coating manufacturer 2315

This is to certify that the exterior coating system on the building exterior at the above address has been
installed in accordance with the evaluation report, test data and the manufacturer's instructions.

This installation card must be presented to the building inspector after completion of work and before
final inspection.

FIGURE 1