

CITY OF SACRAMENTO
1231 I Street, Sacramento, CA 95814

Permit No: 0514566
Insp Area: 3
Thos Bros: 317G2

Site Address: 3335 42ND ST SAC
Parcel No: 014-0215-023
N

D.R. CONDITIONS IN JOB FOLDER.

Sub-Type: RES
Housing (Y/N):

CONTRACTOR

OWNER

ARCHITECT

MOON THOMAS A/JUDITH E
681 DAVID DR
OAKDALE, CA 95361

Nature of Work: VINYLE SIDING FOR HOUSE ONLY. DR CONDITIONS IN FOLDER, PORCH REPAIR TO DONE UNDER A DIFFERENT PERMIT.

CONSTRUCTION LENDING AGENCY: I hereby affirm under penalty of perjury that there is a construction lending agency for the performance of the work for which this permit is issued (Sec. 3097, Civ. C).

Lender's Name _____ Lender's Address _____

LICENSED CONTRACTORS DECLARATION: I hereby affirm under penalty of perjury that I am licensed under provisions of Chapter 9 (commencing with section 7000) of Division 3 of the Business and Professions Code and my license is in full force and effect.

License Class _____ License Number _____ Date _____ Contractor Signature _____

OWNER-BUILDER DECLARATION: I hereby affirm under penalty of perjury that I am exempt from the contractors License Law for the following reason (Sec. 7031.5, Business and Professions Code; any city or county which requires a permit to construct, alter, improve, demolish, or repair any structure, prior to its issuance, also requires the applicant for such permit to file a signed statement that he or she is licensed pursuant to the provisions of the Contractors License Law (Chapter 9 (commencing with Section 7000) of Division 8 of the Business and Professions Code) or that he or she is exempt therefrom and the basis for the alleged exemption. Any violation of Section 7031.5 by any applicant for a permit subjects the applicant to a civil penalty of not more than five hundred dollars (\$500.00);

I, as a owner of the property, or my employees with wages as their sole compensation, will do the work, and the structure is not intended or offered for sale (Sec. 7044, Business and Professional Code: The Contractors License Law does not apply to an owner of property who builds or improves thereon, and who does such work himself or herself or through his/her own employees, provided that such improvements are not intended or offered for sale. If, however, the building or improvement is sold within one year of completion, the owner-builder will have the burden of proving that he/she did not build or improve for the purpose of sale.)

I, as owner of the property, am exclusively contracting with licensed contractors to construct the project (Sec. 7044, Business and Professions Code: The Contractors License Law does not apply to an owner of property who builds or improves thereon, and who contracts for such projects with a contractor(s) licensed pursuant to the Contractors License Law).

I am exempt under Sec. _____ B & PC for this reason: _____
Date 9-20-05 Owner Signature *[Signature]*

IN ISSUING THIS BUILDING PERMIT, the applicant represents, and the city relies on the representation of the applicant, that the applicant verified all measurements and locations shown on the application or accompanying drawings and that the improvement to be constructed does not violate any law or private agreement relating to permissible or prohibited locations for such improvements. This building permit does not authorize any illegal location of any improvement or the violation of any private agreement relating to location of improvements.

I certify that I have read this application and state that all information is correct. I agree to comply with all city and county ordinances and state laws relating to building construction and herby authorize representative(s) of this city to enter upon the abovementioned property for inspection purposes.

Date 9-20-05 Applicant/Agent Signature *[Signature]*

WORKER'S COMPENSATION DECLARATION: I hereby affirm under penalty of perjury one of the following declarations:
I have and will maintain a certificate of consent to submit to the City of Sacramento provided for by Section 3700 of the Labor Code, for the performance of work for which the permit is issued.

I have and will maintain workers' compensation insurance, as required by Section 3700 of the Labor Code, for the performance of the work for which this permit is issued. My workers' compensation insurance policy number is: _____

Carrier _____ Exp Date _____

(This section need not be completed if the permit is for \$100 or less) I certify that in the performance of the work for which this permit is issued, I shall not employ any person in any manner so as to become subject to the workers' compensation laws of California and agree that if I should become subject to the workers' compensation provisions of Section 3700 of the Labor Code, I shall forthwith comply with those provisions.

Date 9-20-05 Applicant Signature *[Signature]*

WARNING: FAILURE TO SECURE WORKER'S COMPENSATION COVERAGE IS UNLAWFUL AND SHALL SUBJECT AN EMPLOYER TO CRIMINAL PENALTIES AND CIVIL FINES UP TO ONE HUNDRED THOUSAND DOLLARS (\$100,000) IN ADDITION TO THE COST OF COMPENSATION, DAMAGES AS PROVIDED FOR IN SECTION 3706 OF THE LABOR CODE, INTEREST AND ATTORNEY'S FEE.

PAID
CITY OF SACRAMENTO
SEP 20 2005
NEIGHBORHOODS PLANNING
AND DEVELOPMENT SERVICES



**CITY OF SACRAMENTO
CALIFORNIA**

PLANNING AND
BUILDING
DEPARTMENT
PHONE 916-264-5381

1231 I STREET, ROOM 200
SACRAMENTO, CA
95814-2998
FAX 916-264-7046

Over-The-Counter Project Review

Address: 3335 42nd Street
Description: Vinyl Siding

Applicant: Tom Moon
Date Approved: September 20, 2005
Staff Contact: Andrea Di Matteo, Planning Technician, 808-1928

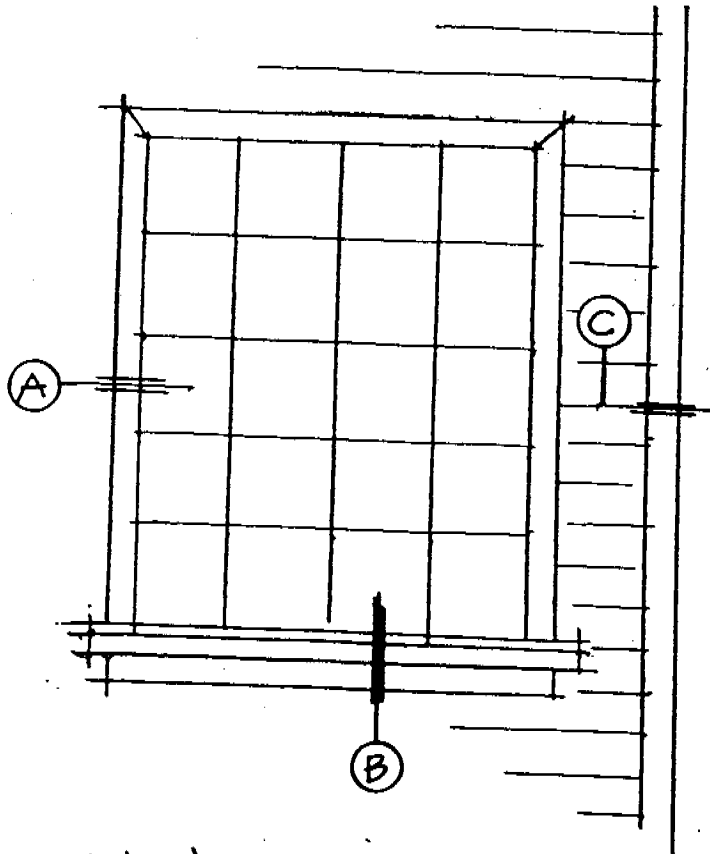
STAFF ACTION AND CONDITIONS OF APPROVAL:

Staff has reviewed the proposed project, and approves it with the following conditions of approval:

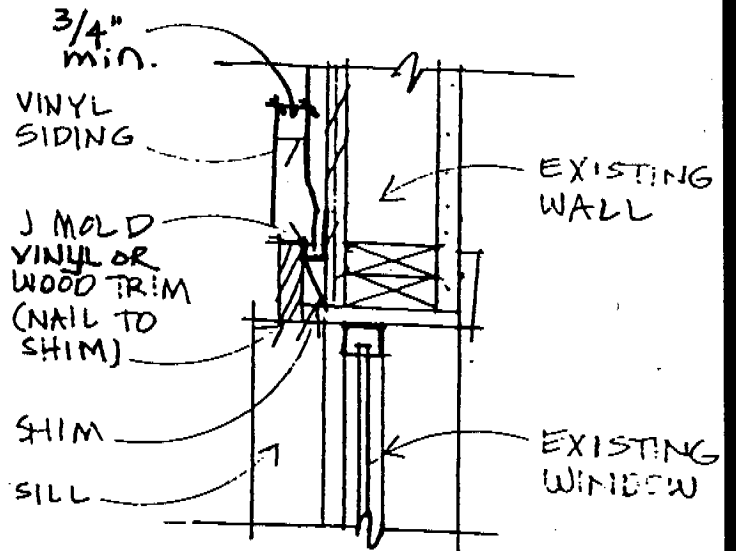
1. Provide horizontal smooth finish vinyl siding to all four sides of the house.
2. Lap width shall be at maximum 5 inches wide.
3. Provide vinyl framed windows at existing window openings that shall match the existing style of windows.
4. Retain original wood trim and sills, and provide trim to match around the single hung window at the front elevation. Refer to attached wood trim and vinyl siding detail.
5. Corners of the building shall be trimmed.
6. Repair dry rotted front porch. *REQUIRES A BUILDING PERMIT.*
7. The scope of exterior work is limited to the above listed items. Any changes are subject to Design Review staff approval.

Andrea Di Matteo
Planning Technician
Design Review

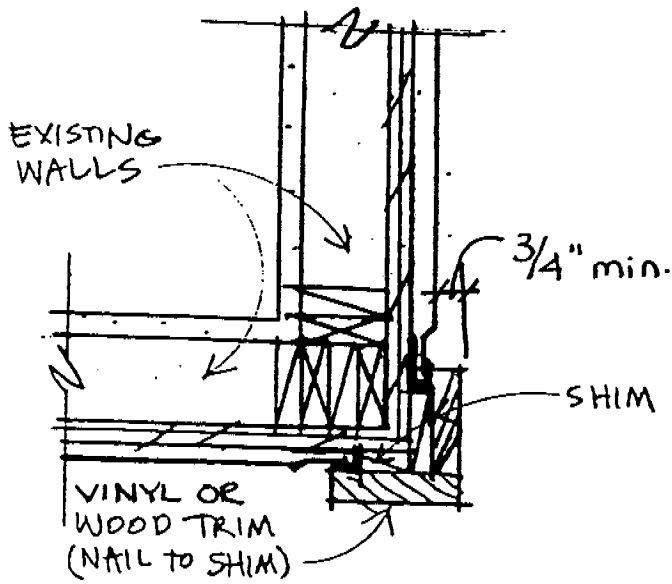
WOOD TRIM DETAILS WITH VINYL SIDING



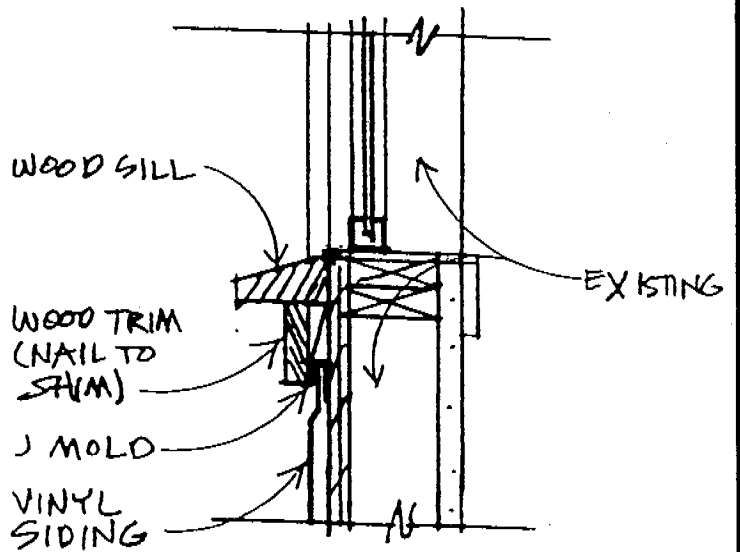
WINDOW ELEVATION



A JAMB



C CORNER



B SILL

City of Sacramento
Development Services Department
PLANNING REVIEW FOR BUILDING PERMIT SUBMITTAL

ADDRESS: 3335 42 nd Street	APN: 014-0215-023
DRPB AREA / PUD / SPD: Oak Park Design Review	ZONING: R-1
EXISTING LAND USE: SFR	
PROPOSED USE: SFR-Vinyl Siding	
PLANNING STAFF WILL CHECK ONE OR MORE OF THE ITEMS BELOW:	
<input type="checkbox"/>	Planning review is NOT required.
<input type="checkbox"/>	Use is NOT allowed; applicant CANNOT submit for plan check.
<input type="checkbox"/>	Requires APPLICATION(s): PC ZA IR ER DR PB Required Planning application must be approved <i>before</i> project can be submitted for plan check
<input type="checkbox"/>	Application(s) IN PROGRESS: File Number: Application must be approved before project can be submitted for plan check.
<input type="checkbox"/>	Application(s) COMPLETED: File Number & approval date: Over-the-counter September 20, 2005 Building permit must conform to approved plans and comply with all conditions of approval. Do NOT accept applications for a building permit prior to the end of the 10-day appeal period.
<input checked="" type="checkbox"/>	Plans may be submitted for plan check. Plan checker(s) shall confirm compliance with Zoning Ordinance requirements and all applicable development standards <i>prior to issuance</i> of building permit.
<input type="checkbox"/>	Meets setback & lot coverage requirements as shown on site plan provided.
<input type="checkbox"/>	Plans to be submitted have been stamped/signed by Planning counter staff.
<input type="checkbox"/>	Route to SITE for plan check and inspection.
<input type="checkbox"/>	Route to SITE for inspection only , plan check not required.
<input type="checkbox"/>	Preliminary review ONLY ; the information on this form must be reviewed again and confirmed at the time of building permit submittal.
CONDITIONS AND COMMENTS: Applicant proposes to provide vinyl siding to existing SFR. No change to foot print or setbacks. 10 day appeal period shall be waived.	
DATE: 9-20-05	BY: Andrea Di Matteo



CITY OF SACRAMENTO

Downtown Permit Center
1231 I Street, Suite 200
Sacramento, CA 95814

www.cityofsacramento.org
Help Line: 1-916-808-5656 OR 1-866-EZ-PERMIT
Inspection: 1-916-808-7622

North Permit Center
2101 Arena Blvd., Suite 200
Sacramento, CA 95834

OWNER BUILDER VERIFICATION

1. Check one below - I or my immediate family (parent, spouse, or child) will perform:

- A - all the work authorized by this permit.
- B - a portion of the work.
- C - none of the work.

If B or C is checked, complete 2 or 3 below.

2. A State licensed contractor (*) will be hired to do:

- all of the authorized work.
- a portion of the authorized work.

Name TBA Phone _____

Address _____

Type of Work _____

Name _____ Phone _____

Address _____

Type of Work _____

Name _____ Phone _____

Address _____

Type of Work _____

Name _____ Phone _____

Address _____

Type of Work _____

3. I will utilize unlicensed person(s) other than my immediate family to perform all or portions of the authorized work. A Certificate of Workers Compensation must be on file at this office.

I declare under penalty of perjury that the above is true and correct. I have read and understand the owner-builder information on the reverse side of this form.

Signed: Property Owner [Signature]

Date 9-20-05 Case No. _____ Permit No. 0574566

Job Address 3335 42nd St, Sacramento

Note: * Information regarding unknown contractors or change in subcontractors shall be submitted to the Building Inspection field office.