

CITY OF SACRAMENTO
1231 I Street, Sacramento, CA 95814

Permit No: 0103022
Insp Area: 4

Site Address: 3139 BOATHOUSE WY SAC
Parcel No: RIVERWALK 2 LOT 87 Housing (Y/N):

Sub-Type: NSFR
N

CONTRACTOR
MYERS HOMES INC.
3300 FITZGERALD RD
RANCHO CORDOVA CA 95742

OWNER

ARCHITECT

Nature of Work: NSFR MP1879 2 STORY 9 RMS

CONSTRUCTION LENDING AGENCY: I hereby affirm under penalty of perjury that there is a construction lending agency for the performance of the work for which this permit is issued (Sec. 3097, C.V.C.).

Lender's Name _____ Lender's Address _____

LICENSED CONTRACTORS DECLARATION: I hereby affirm under penalty of perjury that I am licensed under provisions of Chapter 9 (commencing with section 7000) of Division 3 of the Business and Professions Code and my license is in full force and effect.

License Class B License Number 744473 Date 3/23/01 Contractor Signature Rhonda Rose

OWNER-BUILDER DECLARATION: I hereby affirm under penalty of perjury that I am exempt from the contractors License Law for the following reason (Sec. 7031.5, Business and Professions Code): any city or county which requires a permit to construct, alter, improve, demolish, or repair any structure, prior to its issuance, also requires the applicant for such permit to file a signed statement that he or she is licensed pursuant to the provisions of the Contractors License Law (Chapter 9 (commencing with Section 7000) of Division 8 of the Business and Professions Code) or that he or she is exempt therefrom and the basis for the alleged exemption: Any violation of Section 7031.5 by any applicant for a permit subjects the applicant to a civil penalty of not more than five hundred dollars (\$500.00).

_____, I, as a owner of the property, or my employees with wages as their sole compensation, will do the work, and the structure is not intended or offered for sale (Sec. 7044, Business and Professional Code: The Contractors License Law does not apply to an owner of property who builds or improves thereon, and who does such work himself or herself or through his/her own employees, provided that such improvements are not intended or offered for sale. If, however, the building or improvement is sold within one year of completion, the owner-builder will have the burden of proving that he/she did not build or improve for the purpose of sale.)

_____, I, as owner of the property, am exclusively contracting with licensed contractors to construct the project (Sec. 7044, Business and Professions Code: The Contractors License Law does not apply to an owner of property who builds or improves thereon, and who contracts for such projects with a contractor(s) licensed pursuant to the Contractors License Law.)

_____ I am exempt under Sec. _____ B & PC for this reason: _____

Date _____ Owner Signature _____

IN ISSUING THIS BUILDING PERMIT, the applicant represents, and the city relies on the representation of the applicant, that the applicant verified all measurements and locations shown on the application or accompanying drawings and that the improvement to be constructed does not violate any law or private agreement relating to permissible or prohibited locations for such improvements. This building permit does not authorize any illegal location of any improvement or the violation of any private agreement relating to location of improvements.

I certify that I have read this application and state that all information is correct. I agree to comply with all city and county ordinances and state laws relating to building construction and hereby authorize representative(s) of this city to enter upon the abovementioned property for inspection purposes.

Date 3/23/01 Applicant/Agent Signature Rhonda Rose

WORKER'S COMPENSATION DECLARATION: I hereby affirm under penalty of perjury one of the following declarations:

_____, I have and will maintain a certificate of consent to self-insure for workers' compensation as provided for by Section 3700 of the Labor Code, for the performance of work for which the permit is issued.

pl _____, I have and will maintain workers' compensation insurance, as required by Section 3700 of the Labor Code, for the performance of the work for which this permit is issued. My workers' compensation insurance carrier and policy number are:

Carrier RELiance NAT INS CO Policy Number NWAO154613-01

NEIGHBORHOODS PLANNING AND DEVELOPMENT SERVICE

_____, (This section need not be completed if the permit is for \$100 or less) I certify that in the performance of the work for which this permit is issued, I shall not employ any person in any manner so as to become subject to the workers' compensation laws of California and agree that if I should become subject to the workers' compensation provisions of Section 3700 of the Labor Code, I shall forthwith comply with those provisions.

Date 3/23/01 Applicant Signature Rhonda Rose

WARNING: FAILURE TO SECURE WORKER'S COMPENSATION COVERAGE IS UNLAWFUL AND SHALL SUBJECT AN EMPLOYER TO CRIMINAL PENALTIES AND CIVIL FINES UP TO ONE HUNDRED THOUSAND DOLLARS (\$100,000) IN ADDITION TO THE COST OF COMPENSATION, DAMAGES AS PROVIDED FOR IN SECTION 3706 OF THE LABOR CODE, INTEREST AND ATTORNEY'S FEE.

THIS PERMIT SHALL EXPIRE BY LIMITATION IF WORK IS NOT COMMENCED WITHIN 180 DAYS.

2

Lot 87

RESIDENTIAL BUILDING PERMIT APPLICATION

- New Construction
 Addition
 Remodels
 Other

Project Address: 3139 Boathouse Way Assessor Parcel # 274-0030-077
SACRAMENTO, CA 95833

OWNER INFORMATION:

Legal Property Owner: MYERS HOMES OF CALIFORNIA, LLC Phone # 916-851-0530
 Owner Address: 3305 FITZGERALD RD CITY RANCHO CORONA State CA Zip 92742

CONTRACTOR INFORMATION:

Contractor: MYERS HOMES, INC. Lic # 744473 Phone # 916-851-0530 Fax # 916-851-0535

PROJECT INFORMATION:

Land Use Zone R-1A PUD Occupancy Group R-3 Construction Type VN Fed Code LA
 No. of stories: 2 No. of rooms: 12 Street width: 50 FT
 1st Floor Area 934 2nd Floor Area 945 Basement N/A Roof Material TILE

AREA IN SQUARE FOOT OF:

	EXISTING	NEW
Dwelling/Living		<u>1879</u>
Garage/Storage		<u>655</u>
Decks/Balconies		<u>50</u> COVERED FRONT PORCH
Carports		

SCOPE OF WORK: NEW CONSTRUCTION OF SINGLE FAMILY RESIDENCE; RIVERWALK
SERIES I, PLAN 2/1879 IN MASTER PLAN COMMUNITY P99-075

P99-005 - AMENDED

FOR OFFICE USE ONLY

- | | | |
|---|---|---|
| <input type="checkbox"/> Information above complete | <input type="checkbox"/> AR Flood Waiver required | <input type="checkbox"/> Planning Approval |
| <input type="checkbox"/> Violation files checked | <input type="checkbox"/> Flood Elevation Certificate Required | <input type="checkbox"/> Design Review Approval |
| <input type="checkbox"/> Standard setbacks | <input type="checkbox"/> Water Development Infill Area | <input type="checkbox"/> Special Fee Districts Apply: |
| <input type="checkbox"/> County Sewer | | |

NEW STRUCTURES & ADDITIONS

THE FOLLOWING MUST BE PROVIDED IN ORDER TO SUBMIT FOR PLAN REVIEW

- Plot 8.5' x 11' DRAINAGE INFO
- 2 COMPLETE PLANS, LEGIBLE & DRAWN TO SCALE
 3 SETS IF PROJECT IS IN A DESIGN REVIEW AREA
- Plans to include: site plan, floor plan, elevations, roof/ceiling plan, foundation and structural framing details, and structural calculations for non-conforming structures.

- Title 24 Energy Compliance documentation 11" x 17" copy of floor plan for County Assessor
 Grading and Erosion Control Questionnaire Plan Review Fees

Date _____ Received by (staff) _____

ACTIVITY/PERMIT #

resident wrap (rev 3/00/09)

OMEGA PRODUCTS CORP.

PLASTER WALL INSULATION FORM OWNER

JOB NUMBER:

3745 Bathhouse
3139

FORM REPORT CODE:

Date of Job Completion: 6/20/01

PLASTER CONTRACTOR:

Name: Neal Plastering

Address: Box 786 Lincoln, NE 68648

Telephone No: (402) 245-2889

Contractor Number of District Cell System: 2150

This is to certify that the exterior cavity system on the building exterior as per above address has been installed in accordance with the evaluation report specified above and the manufacturer's instructions.

NOTES

Jim Austin
Inspector of Building Inspections or
Plastering Contractor

This installation work must be presented to the building inspector after completion of work and before final inspection.

CERTIFICATION OF INSULATION

PART I GENERAL

PART II AREAS INSULATED

PART III REMARKS

ADDRESS OR TRACT EXER... H... LOT # 88 3139 Boathouse Wy	SACRAMENTO INSULATION CONTRACTORS <input checked="" type="checkbox"/> P.O. BOX 854, WEST SACRAMENTO, CA 95691 LIC. #202026 <input type="checkbox"/> 1309 MELODY ROAD, MARYSVILLE, CA 95901 LIC. #202026 <input type="checkbox"/> P.O. BOX 9651, FRESNO, CA 93793-9651 LIC. #202026 <input type="checkbox"/> P.O. BOX 1631, RENO, NV 89505 LIC. #10675 <input type="checkbox"/> 3326 A PONDEROSA WAY, LAS VEGAS, NV 89118 LIC. #10675 DATE INSULATION COMPLETED
--	---

WALLS		CEILING			FLOORS	
SQUARE FEET		SQUARE FEET			SQUARE FEET	
TYPE OF INSULATION		TYPE OF INSULATION			TYPE OF INSULATION	
MATERIAL FIBERGLASS		MATERIAL FIBERGLASS			MATERIAL FIBERGLASS	
FORM BATTS		FORM BATTS & BLOW			FORM BATTS	
MANUFACTURER'S PRODUCT I D		MANUFACTURER'S PRODUCT I D			MANUFACTURER'S PRODUCT I D	
MANUFACTURER		MANUFACTURER			MANUFACTURER	
OCF		OCF			OCF	
R - VALUE INSTALLED	APPLIED THICKNESS	R - VALUE INSTALLED	APPLIED THICKNESS	MIN. INSTALLED WEIGHT PER SQUARE FOOT	R - VALUE INSTALLED	APPLIED THICKNESS
13	3 7/8"	30	1 1/2"			
		30	1 1/2"			

KNEE WALLS IF R-VALUE IS OTHER THAN WALLS ABOVE

MATERIAL FIBERGLASS	FORM BATTS	R VALUE	MANUFACTURER OCF
-------------------------------	----------------------	---------	----------------------------

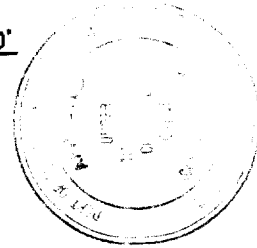
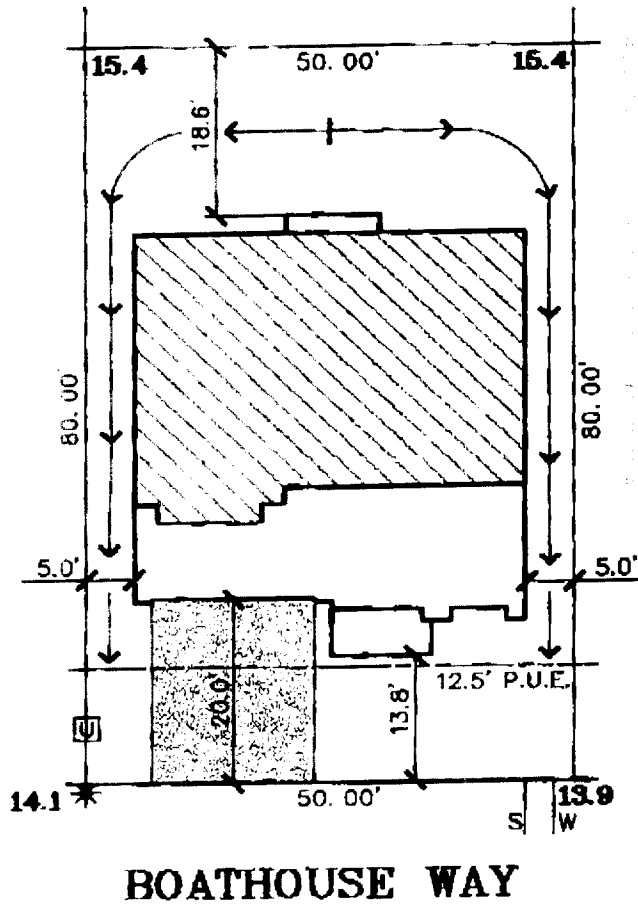
AIR INFILTRATION SEALANT

MATERIAL FOAM	MANUFACTURER W R GRACE
-------------------------	----------------------------------

THIS IS TO CERTIFY THAT INSULATION AND/OR SEALANT HAS BEEN INSTALLED IN CONFORMANCE WITH APPLICABLE CODES, MATERIAL STANDARDS AND REGULATIONS.

SIGNATURE—INSULATION CONTRACTOR <i>Bill...</i>	TITLE MANAGER	DATE 5-29-11
SIGNATURE—GENERAL CONTRACTOR	TITLE	DATE

REMARKS



SCALE 1" = 20'

BOATHOUSE WAY

DATE 2-6-01

A.P.N.:

ADDRESS: BOATHOUSE WAY

LOT AREA: 4,000 SF
LOT COVERAGE: 37%

The Splink Corporation
2590 VENTURE OAKS WAY
SACRAMENTO, CA 95833
I:(916)925-5550 FAX:(916)921-9274

**RIVERWALK
UNIT NO. 2
LOT 87
PLAN 1879B**

RIVERWALK
CITY OF SACRAMENTO, CA.
CLIENT: MYERS HOMES
JOB NO.: 1456-001