

CITY OF SACRAMENTO
1231 I Street, Sacramento, CA 95814

Permit No: 0107758
Insp Area: 4

Site Address: 3652 TREFETHEN WY SAC
Parcel No: 225-1170-078 GATEWAY WEST 3-2 LOT 67

Sub-Type: NSFR
Housing (Y/N): N

CONTRACTOR
MOURIER JOHN CONSTRUCTION INC.
1830 VERNON ST
SUITE 9 95687

OWNER

ARCHITECT

Nature of Work: MP 1913 1 STORY 7 ROOM SFR

CONSTRUCTION LENDING AGENCY: I hereby affirm under penalty of perjury that there is a construction lending agency for the performance of the work for which this permit is issued (Sec. 3097, Civ. C)

Lender's Name _____ Lender's Address _____

LICENSED CONTRACTORS DECLARATION: I hereby affirm under penalty of perjury that I am licensed under provisions of Chapter 9 (commencing with section 7000) of Division 3 of the Business and Professions Code and my license is in full force and effect.

License Class B License Number 613004 Date 6/27/01 Contractor Signature M. Collins

OWNER-BUILDER DECLARATION: I hereby affirm under penalty of perjury that I am exempt from the contractors License Law for the following reason (Sec. 7031.5, Business and Professions Code; any city or county which requires a permit to construct, alter, improve, demolish, or repair any structure, prior to its issuance, also requires the applicant for such permit to file a signed statement that he or she is licensed pursuant to the provisions of the Contractors License Law (Chapter 9 (commencing with Section 7000) of Division 8 of the Business and Professions Code) or that he or she is exempt therefrom and the basis for the alleged exemption. Any violation of Section 7031.5 by any applicant for a permit subjects the applicant to a civil penalty of not more than five hundred dollars (\$500.00).

_____, I, as a owner of the property, or my employees with wages as their sole compensation, will do the work, and the structure is not intended or offered for sale (Sec. 7044, Business and Professional Code). The Contractors License Law does not apply to an owner of property who builds or improves thereon, and who does such work himself or herself or through his/her own employees, provided that such improvements are not intended or offered for sale. If, however, the building or improvement is sold within one year of completion, the owner-builder will have the burden of proving that he/she did not build or improve for the purpose of sale.)

_____, I, as owner of the property, am exclusively contracting with licensed contractors to construct the project (Sec. 7044, Business and Professions Code). The Contractors License Law does not apply to an owner of property who builds or improves thereon, and who contracts for such projects with a contractor(s) licensed pursuant to the Contractors License Law.

_____ I am exempt under Sec. _____ B & PC for this reason: _____

Date _____ Owner Signature _____

IN ISSUING THIS BUILDING PERMIT, the applicant represents, and the city relies on the representation of the applicant, that the applicant verified all measurements and locations shown on the application or accompanying drawings and that the improvement to be constructed does not violate any law or private agreement relating to permissible or prohibited locations for such improvements. This building permit does not authorize any illegal location of any improvement or the violation of any private agreement relating to location of improvements.

I certify that I have read this application and state that all information is correct. I agree to comply with all city and county ordinances and state laws relating to building construction and hereby authorize representative(s) of this city to enter upon the abovementioned property for inspection purposes.

Date 6/27/01 Applicant/Agent Signature M. Collins

WORKER'S COMPENSATION DECLARATION: I hereby affirm under penalty of perjury one of the following declarations:

_____ I have and will maintain a certificate of consent to self-insure for workers' compensation as provided for by Section 3700 of the Labor Code, for the performance of work for which the permit is issued

I have and will maintain workers' compensation insurance, as required by Section 3700 of the Labor Code, for the performance of the work for which this permit is issued. My workers' compensation insurance carrier and policy number are:

Carrier STATE COMPENSATION INS FUND Policy Number 156326600 Exp Date 10/01/2001

_____ (This section need not be completed if the permit is for \$100 or less) I certify that in the performance of the work for which this permit is issued, I shall not employ any person in any manner so as to become subject to the workers' compensation laws of California and agree that if I should become subject to the workers' compensation provisions of Section 3700 of the Labor Code, I shall forthwith comply with those provisions.

Date 6/27/01 Applicant Signature M. Collins

WARNING: FAILURE TO SECURE WORKER'S COMPENSATION COVERAGE IS UNLAWFUL AND SHALL SUBJECT AN EMPLOYER TO CRIMINAL PENALTIES AND CIVIL FINES UP TO ONE HUNDRED THOUSAND DOLLARS (\$100,000) IN ADDITION TO THE COST OF COMPENSATION, DAMAGES AS PROVIDED FOR IN SECTION 3706 OF THE LABOR CODE, INTEREST AND ATTORNEY'S FEE.

THIS PERMIT SHALL EXPIRE BY LIMITATION IF WORK IS NOT COMMENCED WITHIN 180 DAYS.

RESIDENTIAL BUILDING PERMIT APPLICATION

- New Construction Addition Remodels Other

Project Address: 3652 Trefethen Way Assessor Parcel # 225-1300-00 ¹⁰⁰⁻⁰⁷⁵

OWNER INFORMATION:

Legal Property Owner: John MOURIER Construction Phone # (916) 969-2842
 Owner Address: 1830 VERNON STREET, #9 City Roseville State Ca. Zip 95678
Lot #67 7758

CONTRACTOR INFORMATION:

Contractor: J.M.C. Lic. # 613009 Phone # 969-2842 Fax# 782-8903
Gateway West Village #3

PROJECT INFORMATION:

Land Use Zone R14 Occupancy Group B3 Construction Type VN Fed Code 14
 No. of stories: 1 No. of rooms: 7 Street width: _____
 1st Floor Area 1913 2nd Floor Area _____ Basement _____ Roof Material _____

AREA IN SQUARE FOOT OF:	EXISTING	NEW
Dwelling/Living	_____	<u>1913</u>
Garage/Storage	_____	<u>590</u>
Decks/Balconies	_____	<u>44</u>
Carports	_____	_____

SCOPE OF WORK: _____

FOR OFFICE USE ONLY!

- | | | |
|---|---|---|
| <input type="checkbox"/> Information above complete | <input type="checkbox"/> AR Flood Waiver required | <input type="checkbox"/> Planning Approval |
| <input type="checkbox"/> Violation files checked | <input type="checkbox"/> Flood Elevation Certificate Required | <input type="checkbox"/> Design Review Approval |
| <input type="checkbox"/> Standard setbacks | <input type="checkbox"/> Water Development Infill Area | <input type="checkbox"/> Special Fee Districts Apply: _____ |
| <input type="checkbox"/> County Sewer | | |

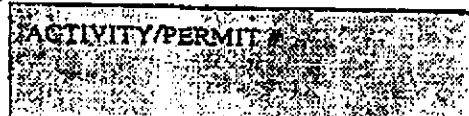
NEW STRUCTURES & ADDITIONS

◆ THE FOLLOWING MUST BE PROVIDED IN ORDER TO SUBMIT FOR PLAN REVIEW

- | | |
|---|---|
| <input type="checkbox"/> 2 COMPLETE PLANS, LEGIBLE & DRAWN TO SCALE | ◆ Plans to include: site plan, floor plan, elevations, roof/ceiling plan, foundation and structural framing details, and structural calculations for non-conforming structures. |
| <input type="checkbox"/> 3 SETS IF PROJECT IS IN A DESIGN REVIEW AREA | |
| <input type="checkbox"/> Title 24 Energy Compliance documentation | <input type="checkbox"/> 11" x 17" copy of floor plan for County Assessor |
| <input type="checkbox"/> Grading and Erosion Control Questionnaire | <input type="checkbox"/> Plan Review Fees |

Date: _____

Received by: (staff) _____



CERTIFICATION OF INSULATION

WALLS		CEILING			FLOOR		
(SQUARE FEET)		(SQUARE FEET)			(SQUARE FEET)		
TYPE OF INSULATION		TYPE OF INSULATION			TYPE OF INSULATION		
MATERIAL FIBERGLASS		MATERIAL FIBERGLASS			MATERIAL FIBERGLASS		
FORM BATTS		FORM BATTS & BLOW			FORM BATTS		
MANUFACTURER'S PRODUCT I.D.		MANUFACTURER'S PRODUCT I.D.			MANUFACTURER'S PRODUCT I.D.		
MANUFACTURER		MANUFACTURER			MANUFACTURER		
OCF		OCF			OCF		
R - VALUE INSTALLED		APPLIED THICKNESS		R - VALUE INSTALLED		APPLIED THICKNESS	
13		3 1/4"		30 30		9" 12"	
KNEE WALLS IF R-VALUE IS OTHER THAN WALLS ABOVE							
MATERIAL FIBERGLASS		FORM BATTS		R VALUE		MANUFACTURER OCF	
AIR INFILTRATION SEALANT							
MATERIAL FOAM				MANUFACTURER W R GRACE			
THIS IS TO CERTIFY THAT INSULATION AND/OR SEALANT HAS BEEN INSTALLED IN CONFORMANCE WITH APPLICABLE CODES, MATERIAL STANDARDS AND REGULATIONS.							
SIGNATURE - INSULATION CONTRACTOR <i>[Signature]</i>				TITLE MANAGER		DATE 1-31-02	
SIGNATURE - GENERAL CONTRACTOR				TITLE		DATE	
REMARKS							

OMEGA PRODUCTS INTERNATIONAL, INC.

DIAMOND WALL INSULATING STUCCO SYSTEM

JOB ADDRESS:

3652 Lafayette Way
Lot 67

ICBO Report #4004

Date of Job Completion 11-7-02

PLASTERING CONTRACTOR:

Name: STUCCO WORKS

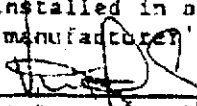
Address: 5900 WAREHOUSE WAY, SAC 95826

Telephone No: (916) 383-6699

Contractor Number of Diamond Wall System - 2175

This is to certify that the exterior coating system on the building exterior at the above address has been installed in accordance with the evaluation report specified above and the manufacturer's instructions.

11-20-01
Date


Signature of authorized representative of
Plastering Contractor

This installation card must be presented to the building inspector after completion of work and before final inspection.



John Mourier Construction Inc.
1830 Vernon St., Suite 9,
Roseville, Ca 95678-6309

(916) 782-8879 / 969-2842
(916) 782-8903 Fax
www.jmchomes.com

January 25, 2002

City of Sacramento
Building Department

RE: GATEWAY WEST, Lot 67

Due to the weather conditions it is impossible for John Mourier Construction, Inc. to grade the backyard of Lot 67, 3652 Trefethen Way, Sacramento, CA 95834, at Gateway West. We are requesting from the City of Sacramento permission to final this lot and grant occupancy prior to the finish grade, front yard landscaping and fencing.

Thank you for your consideration.

Respectfully,

Bruce McAlister
General Manager

Homeowner

Homeowner

Date

Date

BMc/tmb
msword:finalgraderequest

Pacific Consulting Engineers

2150 Bell Ave., Suite 145 • Sacramento, CA 95838 • (916) 564-6028 • Fax: (916) 564-6029

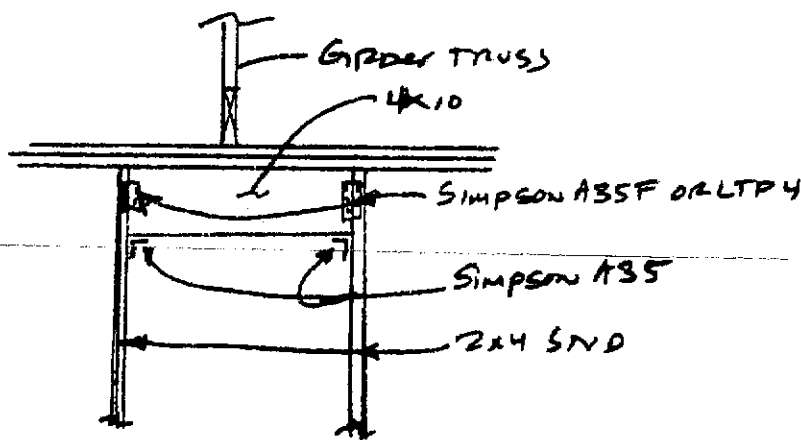
November 2, 2001

Jason Remington
John Mourier Construction Inc.
1830 Vernon St., Suite 9
Roseville, CA 95678

RE: Response to Field Inspector regarding garage hip girder truss support over electrical panel at - Plan 1913/2128 - Gateway West.
This Letter is our Job # 01-1437.

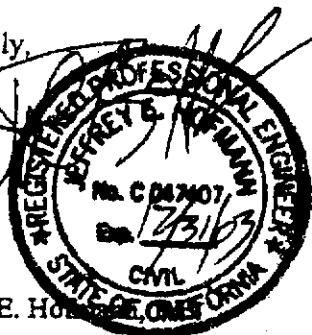
Dear Mr. Remington:

Please be advised that the following is acceptable for the support of the hip girder truss at the front of the garage over the electrical panel. Per the truss calculation for Truss P, the load is 1730#.



If you have any questions or need further clarification on these matters please feel free to contact me at (916) 564-6028.

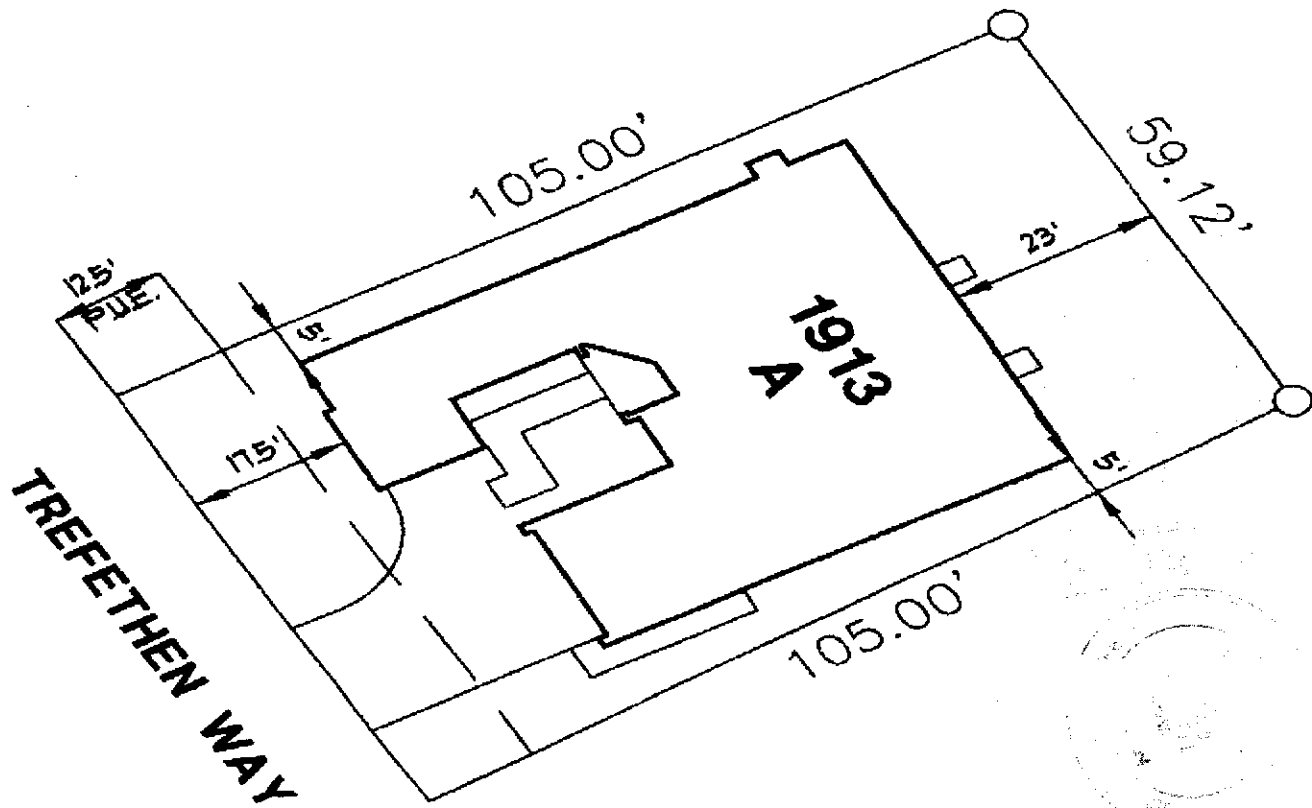
Sincerely,



Jeffrey E. H...

cc: Daryle Hassler, Tony Foletta

GATEWAY WEST VILLAGE 3



LANDSCAPING NOTES:

1. ALL "STREET-TREES" MUST BE PLACED ALONG STREET FRONTAGE AT AN AVERAGE OF 10'-0" TO 30'-0" O.C.
2. ALL "STREET-TREES" SPECIES MUST BE PER GATEWAY WEST "STREET-TREE" MATRIX TABLE FOR STREET(S) BORDERING LOT - NO EXCEPTIONS

LOT: 67 SITE ADDRESS: 3652 TREFETHEN WAY

WHEN USED FOR SALES OR CONTRACT PURPOSES THIS DOCUMENT DOES NOT GUARANTEE ANY DIMENSIONS, DISTANCES, BEARINGS OR SETBACKS. JMC RESERVES THE RIGHT TO MAKE CHANGES AT ANY TIME WITHOUT PRIOR NOTICE AND IS NOT RESPONSIBLE FOR IRREGULARITIES OR DIFFERENCES IN ACTUAL OR "AS-BUILT" LOT CHARACTERISTICS.

SCALE: 1"=30'

LOT SIZE: 6,420's

GW-P67 DH 5-25-01

APR

1628 VERNON ST. No. 3
 ROSSVILLE, GA 30070
 970-782-8970
 GA. LIC. 018004

3-CAR R

JMC HOMES