

CITY OF SACRAMENTO
1231 I Street, Sacramento, CA 95814

Permit No: 0317086

Insp Area: 4

Thos Bros: 276-J4

Site Address: 3418 LOGGERHEAD WY SAC

Parcel No: 225-1910-026

PARKVIEW VIL. 8 LOT 26

Sub-Type: NSFR

Housing (Y/N): N

CONTRACTOR

RYLAND HOMES
3005 DOUGLAS BL. STE. 115
ROSEVILLE CA. 95661

OWNER

ARCHITECT

Nature of Work: NSFR MP2090 9 RMS 2 STORY

CONSTRUCTION LENDING AGENCY : I hereby affirm under penalty of perjury that there is a construction lending agency for the performance of the work for which this permit is issued (Sec. 3097, Civ. C).

Lender's Name _____ Lender's Address _____

LICENSED CONTRACTORS DECLARATION: I hereby affirm under penalty of perjury that I am licensed under provisions of Chapter 9 (commencing with section 7000) of Division 3 of the Business and Professions Code and my license is in full force and effect.

License Class B License Number 054648 Date 11-18-03 Contractor Signature [Signature]

OWNER-BUILDER DECLARATION: I hereby affirm under penalty of perjury that I am exempt from the contractors License Law for the following reason (Sec. 7031.5, Business and Professions Code; any city or county which requires a permit to construct, alter, improve, demolish, or repair any structure, prior to its issuance, also requires the applicant for such permit to file a signed statement that he or she is licensed pursuant to the provisions of the Contractors License Law (Chapter 9 (commencing with Section 7000) of Division 8 of the Business and Professions Code) or that he or she is exempt therefrom and the basis for the alleged exemption. Any violation of Section 7031.5 by any applicant for a permit subjects the applicant to a civil penalty of not more than five hundred dollars (\$500.00);

_____, I, as a owner of the property, or my employees with wages as their sole compensation, will do the work, and the structure is not intended or offered for sale (Sec. 7044, Business and Professional Code: The Contractors License Law does not apply to an owner of property who builds or improves thereon, and who does such work himself or herself or through his/her own employees, provided that such improvements are not intended or offered for sale. If, however, the building or improvement is sold within one year of completion, the owner-builder will have the burden of proving that he/she did not build or improve for the purpose of sale.)

_____, I, as owner of the property, am exclusively contracting with licensed contractors to construct the project (Sec. 7044, Business and Professions Code: The Contractors License Law does not apply to an owner of property who builds or improves thereon, and who contracts for such project with a contractor(s) licensed pursuant to the Contractors License Law).

_____, I am exempt under Sec. _____ B & PC for this reason: _____

Date _____ Owner Signature _____

IN ISSUING THIS BUILDING PERMIT, the applicant represents, and the city relies on the representation of the applicant that the applicant verified all measurements and locations shown on the application or accompanying drawings and that the improvement to be constructed does not violate any law or private agreement relating to permissible or prohibited locations for such improvements. This building permit does not authorize any illegal location of any improvement or the violation of any private agreement relating to location of improvements.

I certify that I have read this application and state that all information is correct. I agree to comply with all city and county ordinances and state laws relating to building construction and hereby authorize representative(s) of this city to enter upon the abovementioned property for inspection purposes.

Date 11-18-03 Applicant/Agent Signature [Signature]

WORKER'S COMPENSATION DECLARATION: I hereby affirm under penalty of perjury one of the following declarations:

_____, I have and will maintain a certificate of consent to self-insure for workers' compensation as provided for by Section 3700 of the Labor Code, for the performance of work for which the permit is issued.

I have and will maintain workers' compensation insurance, as required by Section 3700 of the Labor Code, for the performance of the work for which this permit is issued. My workers' compensation insurance carrier and policy number are:

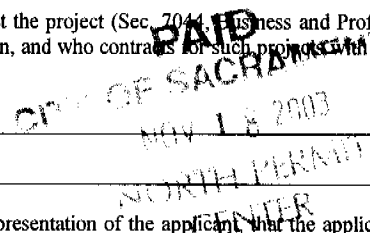
Carrier AMERICAN HOME ASSURANCE Policy Number AOS WC7085227 Exp Date 06/01/2003

_____, (This section need not be completed if the permit is for \$100 or less) I certify that in the performance of the work for which this permit is issued, I shall not employ any person in any manner so as to become subject to the workers' compensation laws of California and agree that if I should become subject to the workers' compensation provisions of Section 3700 of the Labor Code, I shall forthwith comply with those provisions.

Date 11-18-03 Applicant Signature [Signature]

WARNING: FAILURE TO SECURE WORKER'S COMPENSATION COVERAGE IS UNLAWFUL AND SHALL SUBJECT AN EMPLOYER TO CRIMINAL PENALTIES AND CIVIL FINES UP TO ONE HUNDRED THOUSAND DOLLARS (\$100,000) IN ADDITION TO THE COST OF COMPENSATION, DAMAGES AS PROVIDED FOR IN SECTION 3706 OF THE LABOR CODE, INTEREST AND ATTORNEY'S FEE.

THIS PERMIT SHALL EXPIRE BY LIMITATION IF WORK IS NOT COMMENCED WITHIN 180 DAYS.



Project Address: 3418 Loggerhead Wy
Lot Number: 26

Assessor Parcel # _____
Subdivision Parkview V7 V8 VX8

OWNER INFORMATION:

Legal Property Owner: Ryland Homes Phone# 997-7743
Owner Address: 3005 Douglas Blvd 115 City Roseville State CA Zip 95661

1

CONTRACTOR INFORMATION:

Contractor: Ryland Homes Lic. # 54648 Phone # 997-7743 Fax 784-9805

PROJECT INFORMATION: PLAN TWO - MP 2090

Land Use Zone RIA Occupancy Group R3 Construction Type YN Fed Code 1A
No. of Stories: 2 No. of Rooms: 9 Street Width: 41'
1st Floor Area 1015 2nd Floor Area 1075 Basement _____ Roof Material Tile

AREA IN SQUARE FOOT OF:

Dwelling/Living	<u>2090</u>
Garage/Storage	<u>454</u>
Decks/Balconies	_____
Carports	_____

SCOPE OF WORK: SFD.

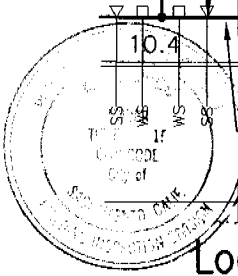
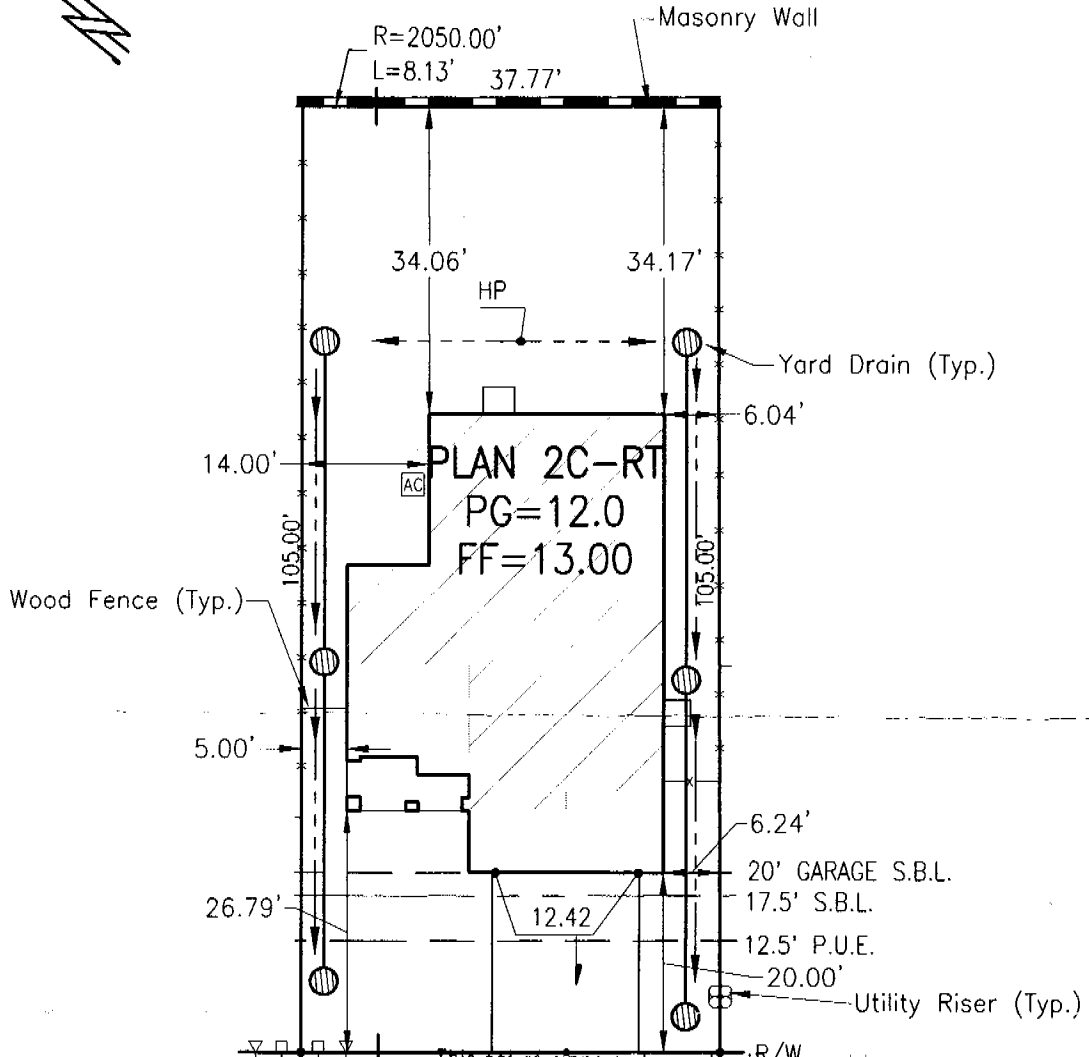
MP 2090 PLAN TWO PN

- Information Above Complete
 - Violation Files Checked
 - Standard Setbacks
 - County Sewer
 - AR Flood Waiver Required
 - Flood Elevation Certificate Required
 - Water Development Infill Area
 - Planning Approval
 - Design Review Approval
 - Special Fee Districts Apply:
- THE FOLLOWING MUST BE PROVIDED IN ORDER TO SUBMIT FOR PERMIT**
- 2 COMPLETE PLOT PLANS, LEGIBLE & DRAWN TO SCALE
 - 11 X 17 COPY OF FLOOR PLAN WITH FOLLOWING INFORMATION
 - a) Assessor's Parcel Number
 - b) New Floor Area
 - c) Owners Name
 - d) Project Address

Date: _____ Received by: (staff) _____ Permit # _____

26E PV

SCALE: 1"=20'



This site plan and specifications must be kept on the lot at all times and it is unlawful to make any alterations or modifications from the plan without written permission from the Planning Inspection Division.
 The approval of this plan and specification SHALL NOT be held to permit or approve the construction of any ordinance or State Law.

DIMENSIONS SHOWN ARE APPROXIMATE, EXCEPT FOR MINIMUMS REQUIRED BY ORDINANCE. THIS PLOT DOES NOT REFLECT AS-BUILT CONDITIONS WHICH MAY VARY FROM THIS PLAN.

[Handwritten signatures]

<p>BAKER-WILLIAMS ENGINEERING GROUP 6020 Rutland Drive, Suite 19 Carmichael, California 95608 (916) 331-4336 (Fax) 331-4430</p>	<p>ENGINEERING SURVEYING PLANNING</p>		<p>Parkview Village 8 <i>by Ryland Homes Inc.</i></p>		<p>SCALE : 1"=20'</p>
	<p>PLOT PLAN FOR LOT 26</p>		<p>Date: Sep 25, 2003</p>		<p>Revised:</p>
	<p>Address: 3418 Loggerhead Way City of Sacramento, Sacramento Co.</p>		<p>Lot Area: 4,841.45 s.f. Lot Coverage: 30.4%</p>		<p>Drawn By: SAK</p>
					<p>Job No.: 02-08-093</p>

COUNTY SANITATION DISTRICT 1
 SACRAMENTO REGIONAL COUNTY SANITATION DISTRICT

SEWER IMPACT FEE *2006*
 PERMIT AND CALCULATION *22 OCT 03*

APPLICATION NO. **Sac City** BLDG PERMIT NO. _____

GENERAL INFORMATION THIS PERMIT GOOD ONLY WHEN VALIDATED BY THE CASHIER

Paid thru SMD 2003-00 *748 PAID*

22 OCT 03

THIS PERMIT TO CONNECT EXPIRES ONE YEAR FROM DATE OF ISSUANCE

FEE CALCULATION BUILDING USE

INSPECTION	RESIDENTIAL	SF	MF
CSD-4	<i>1853</i>		
SRCSD	<i>5255</i>		
CONSTRUCTION			
IN-LIEU			
TOTAL FEE	(7108)		

APN: 225-1910-024

DESCRIPTION/ SUBDIVISION **Parkview Village** LOT **26**

PROPERTY ADDRESS **3418 Logghehead Way**

OWNER **Ryland Homes**

MAILING ADDRESS **3005 Douglas Blvd #115**

CITY/STATE/ZIP **Roseville 95661** PHONE **997-7743**

ADDITIONAL FEES MAY BE DUE IF CHANGES IN USE INCREASE SEWER IMPACT

Linda Steinfeldt
 APPL *22 OCT 03* SIGNATURE

CONSOLIDATED UTILITY BILLING USE ONLY

ACCT _____ INPUT _____ START _____



**F. RODGERS INSULATION
RESIDENTIAL, INC.**

Thermal Insulation Contractors
Residential

INSULATION
CERTIFICATE

7426

7775 LAS POSITAS ROAD • LIVERMORE, CA 94550
(925) 294-9400 • FAX (925) 294-9475

1300 S. RIVER RD. #125 • W. SACRAMENTO, CA 95691
(916) 386-9400 • FAX (916) 386-9448

THIS IS TO CERTIFY THAT INSULATION HAS BEEN INSTALLED IN CONFORMANCE WITH CURRENT ENERGY REGULATION, CALIFORNIA ADMINISTRATIVE CODE, TITLE 24, STATE OF CALIFORNIA, IN THE BUILDING LOCATED AT:

STREET Ryland LOT # 26 TRACT # Packview
CITY SoL

EXTERIOR WALLS:

MANUFACTURER Oc THICKNESS/TYPE _____ R- VALUE 13

CEILING:

BATTS: MANUFACTURER Oc THICKNESS/TYPE _____ R- VALUE 38

BLOWN IN: MANUFACTURER Oc MINIMUM THICKNESS/TYPE _____ R- VALUE 38

SQUARE FOOTAGE COVERED _____ NUMBER OF BAGS USED 25

FLOORS & OVERHANGS: MANUFACTURER Oc THICKNESS/TYPE _____ R- VALUE 19

OTHER: MANUFACTURER _____ THICKNESS/TYPE _____ R- VALUE _____

GENERAL CONTRACTOR _____
CALIFORNIA CONTRACTORS LICENSE # _____

DATE _____

SIGNATURE _____ TITLE _____

INSULATION CONTRACTOR F. RODGERS INSULATION RESIDENTIAL
CALIFORNIA CONTRACTORS LICENSE #771285

DATE 3-31-04

SIGNATURE [Signature] TITLE Ms. [Signature]

INSTALLATION CARD

(Coating system Trade Name)
(Name of coating manufacturer)

Job Address

3418 Loggerhead Way
Park View Vil 8 Lot #28
Permit # 0317086

ICBO Evaluation Service, Inc.
Report No. EL-4609

Date of Job Completion 3-23-04

Plastering Contractor

Name: Mid Valley Plastering Inc.
Address: 15300 S. McKinley Ave Lathrop CA 95330
Telephone No. (209) 858-9766

Approved contractor number as
issued by the coating manufacturer 2315

This is to certify that the exterior coating system on the building exterior at the above address has been installed in accordance with the evaluation report specified above and the manufacturer's instructions.



Date

This installation card must be presented to the building inspector after completion of work and before final inspection.

FIGURE 3