

CITY OF SACRAMENTO
1231 I Street, Sacramento, CA 95814

Permit No: 9909015
Insp Area: 4

Site Address: 39 DRAWBRIDGE CT SAC
Parcel No: 274-0520-014 RIVERWALK LOT 49

Sub-Type: NSFR
Housing (Y/N): N

CONTRACTOR
MYERS HOMES INC.
3300 FITZGERALD RD.
RANCHO CORDOVA CA. 95742

OWNER

ARCHITECT

Nature of Work: MP 1582 1 STORY 7 ROOM SFR

CONSTRUCTION LENDING AGENCY : I hereby affirm under penalty of perjury that there is a construction lending agency for the performance of the work for which this permit is issued (Sec. 3097, Civ. C).

Lender's Name _____ Lender's Address _____

LICENSED CONTRACTORS DECLARATION: I hereby affirm under penalty of perjury that I am licensed under provisions of Chapter 9 (commencing with section 7000) of Division 3 of the Business and Professions Code and my license is in full force and effect.

License Class 52 License Number 744415 Date 7-17-99 Contractor Signature [Signature]

OWNER-BUILDER DECLARATION: I hereby affirm under penalty of perjury that I am exempt from the contractors License Law for the following reason (Sec. 7031.5, Business and Professions Code: any city or county which requires a permit to construct, alter, improve, demolish, or repair any structure, prior to its issuance, also requires the applicant for such permit to file a signed statement that he or she is licensed pursuant to the provisions of the Contractors License Law (Chapter 9 (commencing with Section 7000) of Division 8 of the Business and Professions Code) or that he or she is exempt therefrom and the basis for the alleged exemption. Any violation of Section 7031.5 by any applicant for a permit subjects the applicant to a civil penalty of not more than five hundred dollars (\$500.00).

_____ as a owner of the property, or my employees with wages as their sole compensation, will do the work, and the structure is not intended or offered for sale (Sec. 7044, Business and Professional Code: The Contractors License Law does not apply to an owner of property who builds or improves thereon, and who does such work himself or herself or through his/her own employees, provided that such improvements are not intended or offered for sale. If, however, the building or improvement is sold within one year of completion, the owner-builder will have the burden of proving that he/she did not build or improve for the purpose of sale.)

_____ I as owner of the property, am exclusively contracting with licensed contractors to construct the project (Sec. 7044, Business and Professions Code: The Contractors License Law does not apply to an owner of property who builds or improves thereon, and who contracts for such projects with a contractor(s) licensed pursuant to the Contractors License Law).

_____ I am exempt under Sec. _____ B & PC for this reason: _____

Date _____ Owner Signature _____

IN ISSUING THIS BUILDING PERMIT, the applicant represents, and the city relies on the representation of the applicant, that the applicant verified all measurements and locations shown on the application or accompanying drawings and that the improvement to be constructed does not violate any law or private agreement relating to permissible or prohibited locations for such improvements. This building permit does not authorize any illegal location of any improvement or the violation of any private agreement relating to location of improvements.

I certify that I have read this application and state that all information is correct. I agree to comply with all city and county ordinances and state laws relating to building construction and hereby authorize representative(s) of this city to enter upon the abovementioned property for inspection purposes.

Date 7-17-99 Applicant/Agent Signature [Signature]

WORKER'S COMPENSATION DECLARATION: I hereby affirm under penalty of perjury one of the following declarations:

_____ I have and will maintain a certificate of consent to self-insure for workers' compensation as provided for by Section 3700 of the Labor Code, for the performance of work for which the permit is issued.

_____ I have and will maintain workers' compensation insurance, as required by Section 3700 of the Labor Code, for the performance of the work for which this permit is issued. My workers' compensation insurance carrier and policy number are:

Carrier RELIANCE NAT INS CO Policy Number NWAO154613 Exp Date 04/01/2000

(This section need not be completed if the permit is for \$100 or less) I certify that in the performance of the work for which this permit is issued, I shall not employ any person in any manner so as to become subject to the workers' compensation laws of California and agree that if I should become subject to the workers' compensation provisions of Section 3700 of the Labor Code, I shall forthwith comply with those provisions.

Date 7-17-99 Applicant Signature [Signature]

WARNING: FAILURE TO SECURE WORKER'S COMPENSATION COVERAGE IS UNLAWFUL AND SHALL SUBJECT AN EMPLOYER TO CRIMINAL PENALTIES AND CIVIL FINES UP TO ONE HUNDRED THOUSAND DOLLARS (\$100,000) IN ADDITION TO THE COST OF COMPENSATION, DAMAGES AS PROVIDED FOR IN SECTION 3706 OF THE LABOR CODE, INTEREST AND ATTORNEY'S FEE.

THIS PERMIT SHALL EXPIRE BY LIMITATION IF WORK IS NOT COMMENCED WITHIN 180 DAYS.

OMEGA PRODUCTS CORP.

STANDARD WALL INSULATION SYSTEM

LCIS Report 14014

JOB NUMBER:

39 Drawbridge

Date of Job Completion 11-10-99

PLASTERING CONTRACTOR:

Name: Marcial Plastering

Address: Box 355 Jimmie, Ca 95648

Telephone No: (716) 645-7337

Contractor Number of Sigmoid Wall System 2150

This is to certify that the exterior coating system on the building exterior at the above address has been installed in accordance with the evaluation report specified above and the manufacturer's instructions.

Signature of Jimmie
Signature of authorized representative of
Plastering Contractor

Note: This installation card must be presented to the building inspector after completion of work and before final inspection.

CERTIFICATION OF INSULATION

PART GENERAL	ADDRESS OR TRACT		SACRAMENTO INSULATION CONTRACTORS				
	LOT # 402		<input type="checkbox"/> P.O. BOX 854, WEST SACRAMENTO, CA 95691 LIC. #202026 <input type="checkbox"/> 1309 MELODY ROAD, MARYSVILLE, CA 95901 LIC. #202026 <input type="checkbox"/> P.O. BOX 9651, FRESNO, CA 93793-9651 LIC. #202026 <input type="checkbox"/> P.O. BOX 1631, RENO, NV 89505 LIC. #10675 <input type="checkbox"/> 3326 A PONDEROSA WAY, LAS VEGAS, NV 89118 LIC. #10675				
DATE INSULATION COMPLETED							
PART AREAS INSULATED	WALLS		CEILINGS			FLOORS	
	(SQUARE FEET)		(SQUARE FEET)			(SQUARE FEET)	
	TYPE OF INSULATION		TYPE OF INSULATION			TYPE OF INSULATION	
	MATERIAL		MATERIAL			MATERIAL	
	FIBERGLASS		FIBERGLASS			FIBERGLASS	
	FORM		FORM			FORM	
	BATTS		BATTS & BLOW			BATTS	
	MANUFACTURER'S PRODUCT I.D.		MANUFACTURER'S PRODUCT I.D.			MANUFACTURER'S PRODUCT I.D.	
	MANUFACTURER		MANUFACTURER			MANUFACTURER	
	OCF		OCF			OCF	
R - VALUE INSTALLED		APPLIED THICKNESS		R - VALUE INSTALLED	APPLIED THICKNESS		
3		5 1/2		3	5 1/2		
KNEE WALLS IF R-VALUE IS OTHER THAN WALLS ABOVE							
MATERIAL		FORM			R VALUE		
FIBERGLASS		BATTS			OCF		
AIR INFILTRATION SEALANT							
MATERIAL				MANUFACTURER			
5020				W R GRACE			
THIS IS TO CERTIFY THAT INSULATION AND/OR SEALANT HAS BEEN INSTALLED IN CONFORMANCE WITH APPLICABLE CODES, MATERIAL STANDARDS AND REGULATIONS.							
SIGNATURE - INSULATION CONTRACTOR				TITLE		DATE	
<i>Mark Smith</i>				MANAGER		1-22-20	
SIGNATURE - GENERAL CONTRACTOR				TITLE		DATE	
REMARKS				TITLE		DATE	

PLAN 1, LOT 49

RESIDENTIAL BUILDING PERMIT APPLICATION

- New Construction
- Addition
- Remodels
- Other

Project Address: 39 DRAWBRIDGE COURT

Assessor Parcel # 274-0520-014

OWNER INFORMATION:

Legal Property Owner: MYERS HOMES OF CALIFORNIA, LLC Phone # 916-851-0530
 Owner Address: 3300 FITZGERALD RD City RANCHO GORDON State CA Zip 95742

CONTRACTOR INFORMATION:

Contractor: MYERS HOMES, INC. Lic. # 744473 Phone # 916-851-0530 Fax # 916-851-0535

PROJECT INFORMATION:

Land Use Zone R-1A PUD Occupancy Group R-3 Construction Type YN Fed Code 1A
 No. of stories: 1 No. of rooms: 10 Street width: 50 FT
 1st Floor Area 1582 2nd Floor Area N/A Basement N/A Roof Material TILE

AREA IN SQUARE FOOT OF:	EXISTING	NEW
Dwelling/Living	_____	<u>1582</u>
Garage/Storage	_____	<u>381</u>
Decks/Balconies	_____	<u>51</u>
Carports	_____	<u>_____</u>

COVERED FRONT PORCH

SCOPE OF WORK: NEW CONSTRUCTION OF SINGLE FAMILY RESIDENCE; RIVERWALK SERIES I PLAN 1/1582 IN MASTER PLANNED COMMUNITY P99-075

P97-005 AMENDED

FOR OFFICE USE ONLY

- Information above complete
- Violation files checked
- Standard setbacks
- County Sewer
- AR Flood Waiver required
- Flood Elevation Certificate Required
- Water Development Infill Area
- Planning Approval
- Design Review Approval
- Special Fee Districts Apply: _____

NEW STRUCTURES & ADDITIONS

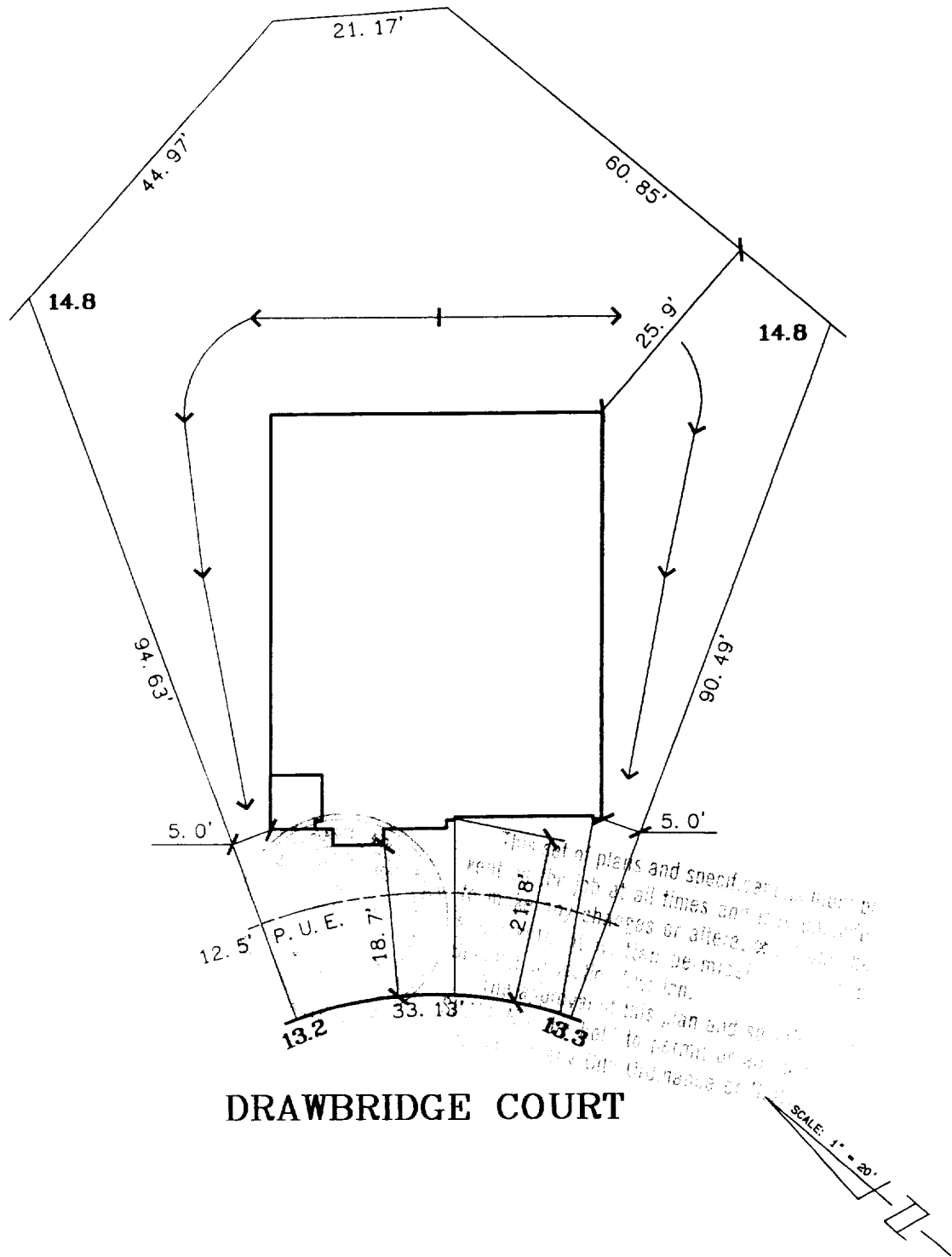
❖ THE FOLLOWING MUST BE PROVIDED IN ORDER TO SUBMIT FOR PLAN REVIEW

- 2 COMPLETE PLANS, LEGIBLE & DRAWN TO SCALE
 - 3 SETS IF PROJECT IS IN A DESIGN REVIEW AREA
 - Title 24 Energy Compliance documentation
 - Grading and Erosion Control Questionnaire
 - 11" x 17" copy of floor plan for County Assessor
 - Plan Review Fees
- Plans to include: site plan, floor plan, elevations, roof/ceiling plan, foundation and structural framing details, and structural calculations for non-conforming structures.

Date: _____

Received by: (staff) _____

ACTIVITY/PERMIT # _____



DATE: 8-4-99

A.P.N.:

ADDRESS: 39 DRAWBRIDGE COURT

LOT AREA: 7,742 SF
 LOT COVERAGE: 25%

The Spink Corporation

2590 VENTURE OAKS WAY
 SACRAMENTO, CA. 95833

PH:(916)925-5550 FAX:(916)921-9274

**RIVERWALK
 UNIT NO. 1**

**LOT 49
 PLAN 1582B**

RIVERWALK

CITY OF SACRAMENTO, CA.
 CLIENT: MYERS HOMES

JOB NO.: 1456-001