

CITY OF SACRAMENTO
1231 I Street, Sacramento, CA 95814

Permit No: 0013311
Insp Area: 1

Site Address: 1200 F ST SAC
Parcel No: 002-0161-001

Sub-Type: AOTHR
Housing (Y/N): N

CONTRACTOR
MR ROOTER PLUMBING
8384 ROVANA CT
SAC 95828

OWNER
WYLIE & VIOLA FROST
ORANGEVILLE, CA
9254 MADISON AVE 95662

ARCHITECT

Nature of Work: INSTALL SAND & OIL SEPERATOR ONSITE FOR CAR WASH FACILITY (UTILITIES TO PROVIDE TAP & BRING SEWER LINE ON SITE)

CONSTRUCTION LENDING AGENCY : I hereby affirm under penalty of perjury that there is a construction lending agency for the performance of the work for which this permit is issued (Sec. 3097, Civ. C).

Lender's Name _____ Lender's Address _____

LICENSED CONTRACTORS DECLARATION: I hereby affirm under penalty of perjury that I am licensed under provisions of Chapter 9 commencing with section 7000) of Division 3 of the Business and Professions Code and my license is in full force and effect.

License Class C License Number 7865004 Date 11/14/00 Contractor Signature James Hawley

OWNER-BUILDER DECLARATION: I hereby affirm under penalty of perjury that I am exempt from the contractors License Law for the following reason (Sec. 7031.5, Business and Professions Code; any city or county which requires a permit to construct, alter, improve, demolish, or repair any structure, prior to its issuance, also requires the applicant for such permit to file a signed statement that he or she is licensed pursuant to the provisions of the Contractors License Law (Chapter 9 (commencing with Section 7000) of Division 8 of the Business and Professions Code) or that he or she is exempt therefrom and the basis for the alleged exemption. Any violation of Section 7031.5 by any applicant for a permit subjects the applicant to a civil penalty of not more than five hundred dollars (\$500.00).

I, as a owner of the property, or my employees with wages as their sole compensation, will do the work, and the structure is not intended or offered for sale (Sec. 7044, Business and Professional Code: The Contractors License Law does not apply to an owner of property who builds or improves thereon, and who does such work himself or herself or through his/her own employees, provided that such improvements are not intended or offered for sale. If, however, the building or improvement is sold within one year of completion, the owner-builder will have the burden of proving that he/she did not build or improve for the purpose of sale.)

I, as owner of the property, am exclusively contracting with licensed contractors to construct the project (Sec. 7044, Business and Professions Code: The Contractors License Law does not apply to an owner of property who builds or improves thereon, and who contracts for such projects with a contractor(s) licensed pursuant to the Contractors License Law).

I am exempt under Sec. _____ B & PC for this reason: _____

Date _____ Owner Signature _____

IN ISSUING THIS BUILDING PERMIT, the applicant represents, and the city relies on the representation of the applicant, that the applicant verified all measurements and locations shown on the application or accompanying drawings and that the improvement to be constructed does not violate any law or private agreement relating to permissible or prohibited locations for such improvements. This building permit does not authorize any illegal location of any improvement or the violation of any private agreement relating to location of improvements.

I certify that I have read this application and state that all information is correct. I agree to comply with all city and county ordinances and state laws relating to building construction and hereby authorize representative(s) of this city to enter upon the abovementioned property for inspection purposes.

Date 11-14-00 Applicant/Agent Signature James Hawley

WORKER'S COMPENSATION DECLARATION: I hereby affirm under penalty of perjury one of the following declarations:
I have and will maintain a certificate of consent to self-insure for workers' compensation as provided for by Section 3700 of the Labor Code, for the performance of work for which the permit is issued.

I have and will maintain workers' compensation insurance, as required by Section 3700 of the Labor Code, for the performance of the work for which this permit is issued. My workers' compensation insurance carrier and policy number are:

Carrier LEXINGTON INSURANCE CO Policy Number 1572264-99 Exp Date 12/31/2000

(This section need not be completed if the permit is for \$100 or less) I certify that in the performance of the work for which this permit is issued, I shall not employ any person in any manner so as to become subject to the workers' compensation laws of California and agree that if I should become subject to the workers' compensation provisions of Section 3700 of the Labor Code, I shall forthwith comply with those provisions.

Date 11-14-00 Applicant Signature James Hawley

WARNING: FAILURE TO SECURE WORKER'S COMPENSATION COVERAGE IS UNLAWFUL AND SHALL SUBJECT AN EMPLOYER TO CRIMINAL PENALTIES AND CIVIL FINES UP TO ONE HUNDRED THOUSAND DOLLARS (\$100,000) IN ADDITION TO THE COST OF COMPENSATION, DAMAGES AS PROVIDED FOR IN SECTION 3706 OF THE LABOR CODE, INTEREST AND ATTORNEY'S FEE.

THIS PERMIT SHALL EXPIRE BY LIMITATION IF WORK IS NOT COMMENCED WITHIN 180 DAYS.

APPLICATION FOR COMMERCIAL BUILDING PERMIT

CITY OF SACRAMENTO
DEVELOPMENT SERVICES DIVISION
PERMIT SERVICES SECTION

1231 I Street, Rm. 200
 Sacramento, CA 95814 (916) 264-7619 FAX 264-7046

ACTIVITY # <u>00-13311</u>	Insp. Area <u>10</u>
----------------------------	----------------------

Applicant **MUST** complete ALL Unshaded areas

ADDRESS 1200 FST St. Co Suite _____
 PARCEL # 002 0161 001 0000

<p style="text-align: center;">CONTACT</p> Name <u>Mr. [unclear]</u> Street Address <u>333 [unclear]</u> City/State/Zip <u>[unclear]</u> Phone <u>[unclear]</u> FAX _____ E-mail: _____	<p style="text-align: center;">LICENSED CONTRACTOR Lic No. # <u>7863004</u></p> Name <u>MR. Rooker Plumbing</u> Address <u>8384 Kovanina Ct.</u> City/State/Zip <u>Sac Ca 95828</u> Phone <u>344-1776</u> FAX _____ E-mail: <u>WWW.MRROOKER.COM</u>
<p style="text-align: center;">ARCHITECT/ENGINEER</p> Name _____ Address _____ City/State/Zip _____ Phone _____ FAX _____ E-mail: _____	<p style="text-align: center;">OWNER</p> Name <u>Wylie + Viola Frost</u> Address <u>7254 MADISON AVE</u> City/State/Zip <u>ORANGEVILLE CA</u> Phone <u>[unclear]</u> FAX _____ E-mail: _____

→ Will permittee have any employees on the jobsite? No Yes → INSURANCE CO: Twin City Fire Insurance Comp
 → WORKER'S COMPENSATION POLICY # 16WNS76500 EXPIRATION DATE: _____

NATURE OF WORK IN DETAIL: New SAND OIL + SEPARATOR Hook up w/ City Sewer

OCCUPANT/TENANT: Wylie + Viola Frost VALUATION: \$ 116500

FLOOD STATUS: <u>N/A</u>		S.C.A.T.								
JOB DESCRIPTION		BLDG	SHELL	APT	TI()	REM()	SW	FIRE	ADD	<u>OTH</u>
INSPECTION DISCIPLINES		BLDG	MECH	<u>PLUMB</u>	ELEC	SITE	FIRE			
# Stories	1st flr Area.	Total Area	Use Zone	Occp Group	Const type	Fire Req. Y <input checked="" type="checkbox"/> N	Fed Code	Vio. File [H] [Quad]		
1		<u>13 RW</u>		<u>M</u>		SPR	ALARM	<u>13</u>	<u>PW</u>	<u>UTIL</u>
	L	<u>P</u>	M	E	F	S	D			

COMMENTS: UTIL DEV FEES 124⁰⁰
UTIL P.C. 85⁰⁰

REGIONAL SANITATION FEES? Yes No HEALTH DEPARTMENT? Yes No
 WATER FLOW TEST FOR NEW BUILDINGS OR ADDITIONS? Provided Faxed

ISSUED

Office
NOV 14 2000

CITY OF SACRAMENTO
DEVELOPMENT SERVICES DIV.

Gate

Entrance

City Crews will install a 4" sewer tap for a fee in the amount of \$ 3842.00.

Provide a clean-out at PL.
(See BB15 for tap + c/o location.)

Approved for sewer tap
11-3-00

16' Sidewalk

City C/O

26'

1 inch CPVC per foot

4" Outlet
20" Deep

Old Road

Sand/Oil Interceptor

6' Deep

The approval of all
Plumbing and Mechanical work
is subject to field inspection

Car Wash Area

Driveway

Sidewalk 15'

PROPOSED CAR WASH SAND/OIL INTERCEPTOR INSTALLATION

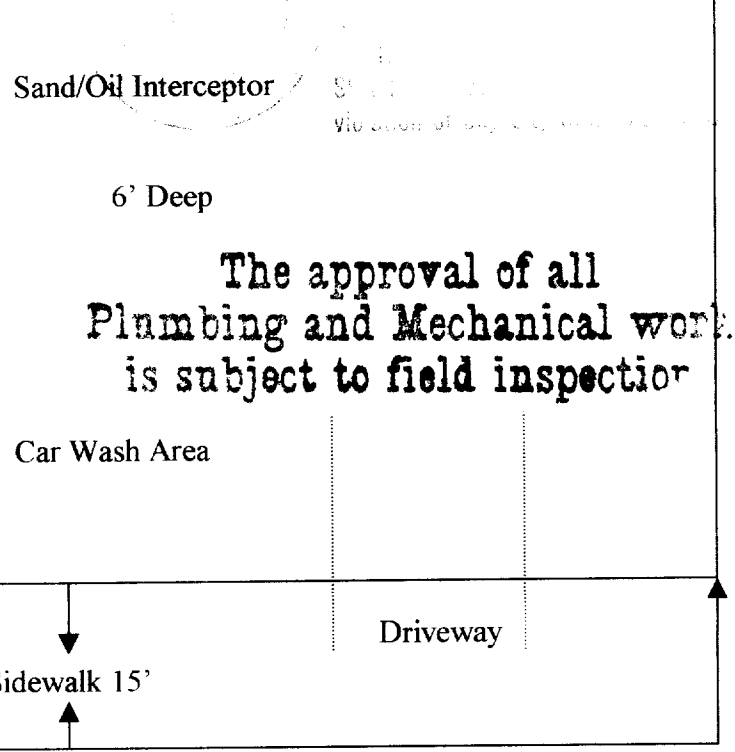
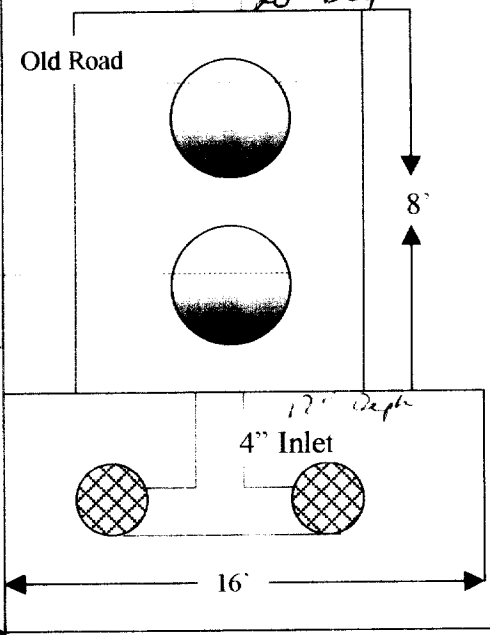
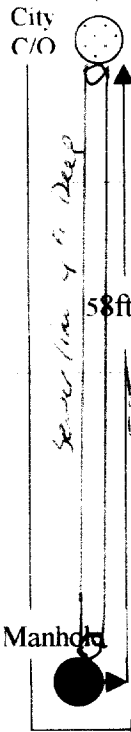
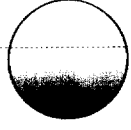
12th ST

DOLLAR RENT A CAR
1200 F Street
Sacramento, CA 95814

F 8

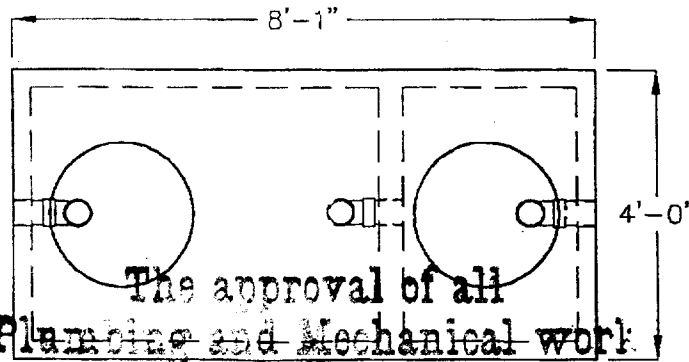
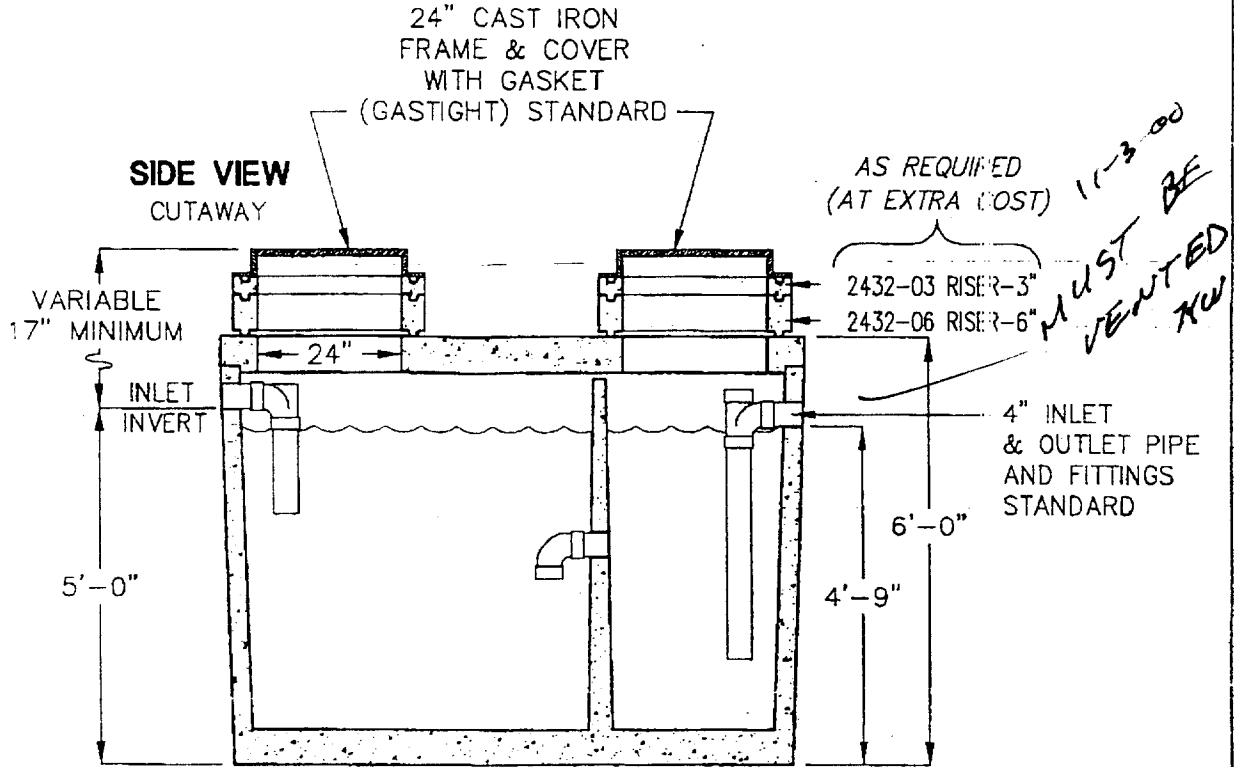
58ft
Sewer line 4" Deep

Manhole



750 GALLON SAND-OIL INTERCEPTOR

MODEL 750EE



TOP VIEW subject to field inspector
(COVERS & RISERS REMOVED)

LIQUID CAPACITY: 750 GALLONS
 BOX DESIGN LOAD: H-20 TRAFFIC FROM 1' TO 6' OF COVER.
 FOR COMPLETE DESIGN AND PRODUCT INFORMATION, CONTACT JENSEN PRECAST.

9/2/84