

CITY OF SACRAMENTO
1231 I Street, Sacramento, CA 95814

Permit No: 0217490

Insp Area: 4

Thos Bros:

Sub-Type: NSFR

Site Address: 2108 PAUL COURTER WY SAC

Parcel No: 201-0570-036

NORTHPOINTE PARK 34 LOT 43 Housing (Y/N): N

CONTRACTOR

FORECAST HOMES
1796 TRIBUTE RD. STE 100, SAC. CAL.
95815

OWNER

ARCHITECT

Nature of Work: MP1307 1 STORY 7 ROOM SFR

CONSTRUCTION LENDING AGENCY: I hereby affirm under penalty of perjury that there is a construction lending agency for the performance of the work for which this permit is issued (Sec. 3097, Civ. C).

Lender's Name _____ Lender's Address _____

LICENSED CONTRACTORS DECLARATION: I hereby affirm under penalty of perjury that I am licensed under provisions of Chapter 9 (commencing with section 7000) of Division 3 of the Business and Professions Code and my license is in full force and effect.

License Class B License Number 685513 Date _____ Contractor Signature [Signature]

OWNER-BUILDER DECLARATION: I hereby affirm under penalty of perjury that I am exempt from the Contractors License Law for the following reason (Sec. 7031.5, Business and Professions Code; any city or county which requires a permit to construct, alter, improve, demolish, or repair any structure, prior to its issuance, also requires the applicant for such permit to file a signed statement that he or she is licensed pursuant to the provisions of the Contractors License Law (Chapter 9 (commencing with Section 7000) of Division 8 of the Business and Professions Code) or that he or she is exempt therefrom and the basis for the alleged exemption. Any violation of Section 7031.5 by any applicant for a permit subjects the applicant to a civil penalty of not more than five hundred dollars (\$500.00);

_____, I, as a owner of the property, or my employees with wages as their sole compensation, will do the work, and the structure is not intended or offered for sale (Sec. 7044, Business and Professional Code: The Contractors License Law does not apply to an owner of property who builds or improves thereon, and who does such work himself or herself or through his/her own employees, provided that such improvements are not intended or offered for sale. If, however, the building or improvement is sold within one year of completion, the owner-builder will have the burden of proving that he/she did not build or improve for the purpose of sale.)

_____, I, as owner of the property, am exclusively contracting with licensed contractors to construct the project (Sec. 7044, Business and Professions Code: The Contractors License Law does not apply to an owner of property who builds or improves thereon, and who contracts for such projects with a contractor(s) licensed pursuant to the Contractors License Law).

_____, I am exempt under Sec. _____ B & PC for this reason: _____

Date _____ Owner Signature _____

PAID
CITY OF SACRAMENTO
DEC 10 2002
NORTH PERMIT

IN ISSUING THIS BUILDING PERMIT, the applicant represents, and the city relies on the representation of the applicant, that the applicant verified all measurements and locations shown on the application or accompanying drawings and that the improvement to be constructed does not violate any law or private agreement relating to permissible or prohibited locations for such improvements. This building permit does not authorize any illegal location of any improvement or the violation of any private agreement relating to location of improvements.

I certify that I have read this application and state that all information is correct. I agree to comply with all city and county ordinances and state laws relating to building construction and hereby authorize representative(s) of this city to enter upon the abovementioned property for inspection purposes.

Date 12-10-02 Applicant/Agent Signature [Signature]

WORKER'S COMPENSATION DECLARATION: I hereby affirm under penalty of perjury one of the following declarations:

_____, I have and will maintain a certificate of consent to self-insure for workers' compensation as provided for by Section 3700 of the Labor Code, for the performance of work for which the permit is issued.

I have and will maintain workers' compensation insurance, as required by Section 3700 of the Labor Code, for the performance of the work for which this permit is issued. My workers' compensation insurance carrier and policy number are:

Carrier ZURICH AMERICAN INS CO Policy Number WC343666300 Exp Date 10/31/2002

_____, (This section need not be completed if the permit is for \$100 or less) I certify that in the performance of the work for which this permit is issued, I shall not employ any person in any manner so as to become subject to the workers' compensation laws of California and agree that if I should become subject to the workers' compensation provisions of Section 3700 of the Labor Code, I shall forthwith comply with those provisions.

Date 12-10-02 Applicant Signature [Signature]

WARNING: FAILURE TO SECURE WORKER'S COMPENSATION COVERAGE IS UNLAWFUL AND SHALL SUBJECT AN EMPLOYER TO CRIMINAL PENALTIES AND CIVIL FINES UP TO ONE HUNDRED THOUSAND DOLLARS (\$100,000) IN ADDITION TO THE COST OF COMPENSATION, DAMAGES AS PROVIDED FOR IN SECTION 3706 OF THE LABOR CODE, INTEREST AND ATTORNEY'S FEE.

THIS PERMIT SHALL EXPIRE BY LIMITATION IF WORK IS NOT COMMENCED WITHIN 180 DAYS.

RESIDENTIAL SUBDIVISION BUILDING PERMIT APPLICATION

Project Address: 2108 PAUL COURTER ^{W-1} Assessor Parcel # 2010570-876
Lot Number: 43 Subdivision Northpointe Park Village 34

OWNER INFORMATION:

Legal Property Owner: Forecast Homes Phone# (916) 920-0200
Owner Address: 1796 Tribute Rd. #100 City Sacramento State CA Zip 95815

CONTRACTOR INFORMATION:

Contractor: K. Hovnanian Lic. # 700788 Phone # 920-02000-0 Fax 920-03790

PROJECT INFORMATION:

Land Use Zone R1A Occupancy Group R3 Construction Type VN Fed Code 1A
No. of Stories: ONE No. of Rooms: 7 Street Width: _____
1st Floor Area 1307 2nd Floor Area 0 Basement 0 Roof Material Tile
AREA IN SQUARE FOOT OF:
Dwelling/Living 1307
Garage/Storage 434 0217490
Decks/Balconies _____
Carports _____
SCOPE OF WORK: New SFD - MP# 361 A

FOR OFFICE USE ONLY

- Information Above Complete
- Violation Files Checked
- Standard Setbacks
- County Sewer
- AR Flood Waiver Required
- Flood Elevation Certificate Required
- Water Development Infill Area
- Planning Approval
- Design Review Approval
- Special Fee Districts Apply:

THE FOLLOWING MUST BE PROVIDED IN ORDER TO SUBMIT FOR PERMIT

- 2 COMPLETE PLOT PLANS, LEGIBLE & DRAWN TO SCALE
- 11 X 17 COPY OF FLOOR PLAN WITH FOLLOWING INFORMATION
 - a) Assessor's Parcel Number
 - b) New Floor Area
 - c) Owners Name
 - d) Project Address



**INSULATION CONTRACTORS
ASSOCIATION
OF AMERICA**

INSULATION
CERTIFICATE

65559

1321 DUKE STREET, SUITE 303 • ALEXANDRIA, VA 22314 • (703) 739-0356

THIS IS TO CERTIFY THAT INSULATION HAS BEEN INSTALLED IN CONFORMANCE WITH CURRENT ENERGY REGULATIONS CALIFORNIA ADMINISTRATIVE CODE TITLE 24, STATE OF CALIFORNIA IN THE BUILDING LOCATED AT

Folcroft - LOT # 43 TRACT # 44001 000000

STREET 2108 Paul Cantors CITY SR

EXTERIOR WALLS:

MANUFACTURER FB THICKNESS/TYPE 3 1/8 R- VALUE 13

CEILING:

BATTS: MANUFACTURER FG THICKNESS/TYPE 10 R- VALUE 30

BLOWN IN: MANUFACTURER OT MINIMUM THICKNESS 12 R- VALUE 30

SQUARE FOOTAGE COVERED 1220 NUMBER OF BAGS USED 23

FLOORS: MANUFACTURER _____ THICKNESS/TYPE _____ R- VALUE _____

SLAB ON GRADE: MANUFACTURER _____ THICKNESS/TYPE _____ R- VALUE _____

WIDTH OF INSULATION _____ INCHES

FOUNDATION WALLS: MANUFACTURER _____ THICKNESS/TYPE _____ R- VALUE _____

GENERAL CONTRACTOR _____ CALIFORNIA CONTRACTORS LICENSE # _____

Signature: Paul Cantors DATE: 2/11/03
SIGNATURE TITLE

INSULATION CONTRACTOR **ARCADE INSULATION**
CALIFORNIA CONTRACTORS LICENSE #263784

Signature: Paul Cantors DATE: 2-11-03
SIGNATURE TITLE



BASALITE®
 PACIFIC STUCCO SYSTEMS

4290 Roseville Road
 North Highlands, CA 95660-5710
 (916) 486-4094
 Fax (916) 486-4187

Installation Card
 Fiber Reinforced Stucco

Job Name and Address: KINGS CROSSING
LOT 4043
2108 PAUL COURT WY.

ICBO# 5269
1-31-03
 Date of job completion

Plastering Contractor

Name: VISION PLASTERING

Address: 8974 GREENBACK LANE ORANGEVALE, CA 95662

Telephone No. (916) 987-3324

Approved contractor as issued by Basalite/Pacific Stucco

This is to certify the exterior coating system at the above address, has been installed in accordance with the evaluation report specified above and the manufacturers instructions.

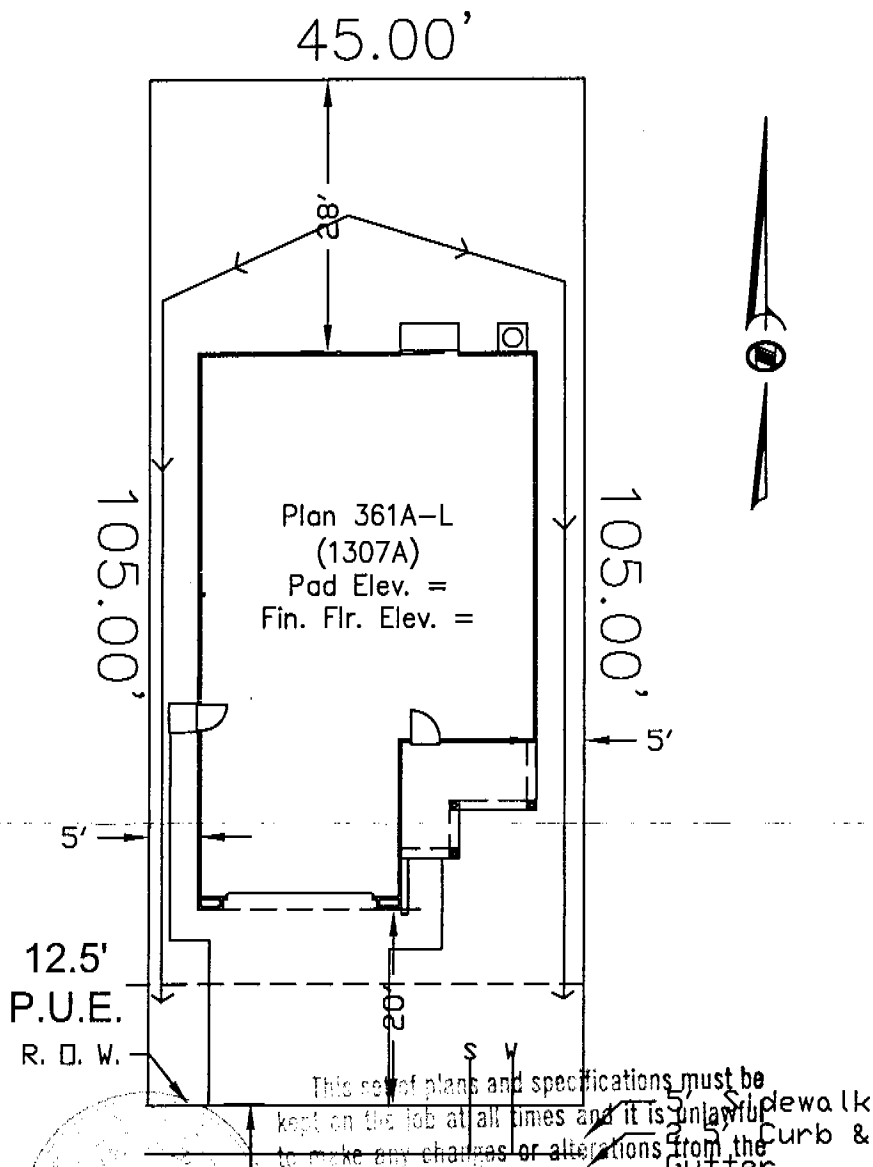
M. S. Smith
 Signature of authorized representative of
 plastering contractor

2-26-03
 Date

This installation card must be presented to the building inspector after completion of work and before final inspection.

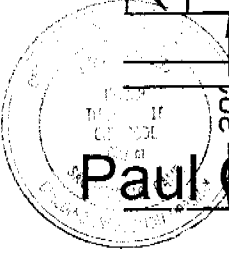
plot plan

THIS PLOT PLAN IS FOR THE PURPOSE OF SHOWING THE HOUSE TO BE CONSTRUCTED ON THE LOT AND MAY NOT REPRESENT THE FINAL AS-BUILT CONFIGURATION OF THE PROPERTY OR IMPROVEMENTS THEREON. THE ACCURACY OF THIS PLOT PLAN IS NOT GUARANTEED, NOR IS IT A PART OF ANY POLICY, REPORT OR GUARANTEE TO WHICH IT MAY BE ATTACHED. ACTUAL DIMENSIONS, OTHER THAN THE MINIMUM ORDINANCE, MAY VARY OR CHANGE WITHOUT PRIOR NOTICE DUE TO ACTUAL SITE CONDITIONS.



This set of plans and specifications must be kept on the job at all times and it is unlawful to make any changes or alterations from the plans without written permission from the Inspection Division.

Kings Crossing @ Natomas
Lot 4043



Paul Counter
45000
This plan and specification shall not be held to permit or approve the violation of any City Ordinance or State Law.

Northpointe Park
Village 34

The Forecast Group



Lot #43
2108 Paul Courter Way
City of Sacramento
A.P.N.: 201-0570-036

Symbols Legend

- | | | | |
|------------------------|--|-----------------------------|--|
| Street Light: | | Water Service: | |
| Drop Inlet: | | Flow Line: | |
| Electric Service Box: | | High Point: | |
| Fire Hydrant: | | Flow Line: | |
| Pad-Mount Transformer: | | Elevation Back of Sidewalk: | |
| Sewer Service: | | 2nd Story Element: | |

Apollo Real Estate Group

1204 El Sur Way
Sacramento, CA 95864
(916) 978-9726

12	MAH	11/25/02	1"=20'
Phase	Drawn By	Date	Scale