

RESOLUTION NO. 2003-287


ADOPTED BY THE SACRAMENTO CITY COUNCIL

ON DATE OF MAY 13 2003

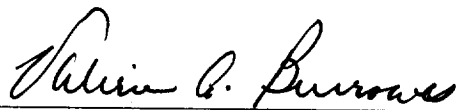
RESOLUTION FOR CONCEPTUAL APPROVAL OF PEDESTRIAN FRIENDLY STREET STANDARDS REVISIONS

BE IT RESOLVED BY THE COUNCIL OF THE CITY OF SACRAMENTO:

1. Approve, in concept, the recommended changes to the street standards (Exhibit A).
2. Direct staff to prepare the appropriate changes to the relevant policy documents needed to implement the new street standards and return for final City Council approval.
3. Direct staff to revise street standard variance procedures to include consideration of enhancing and improving the pedestrian environment and encouraging alternate mode use.


MAYOR

ATTEST:


CITY CLERK

FOR CITY CLERK USE ONLY

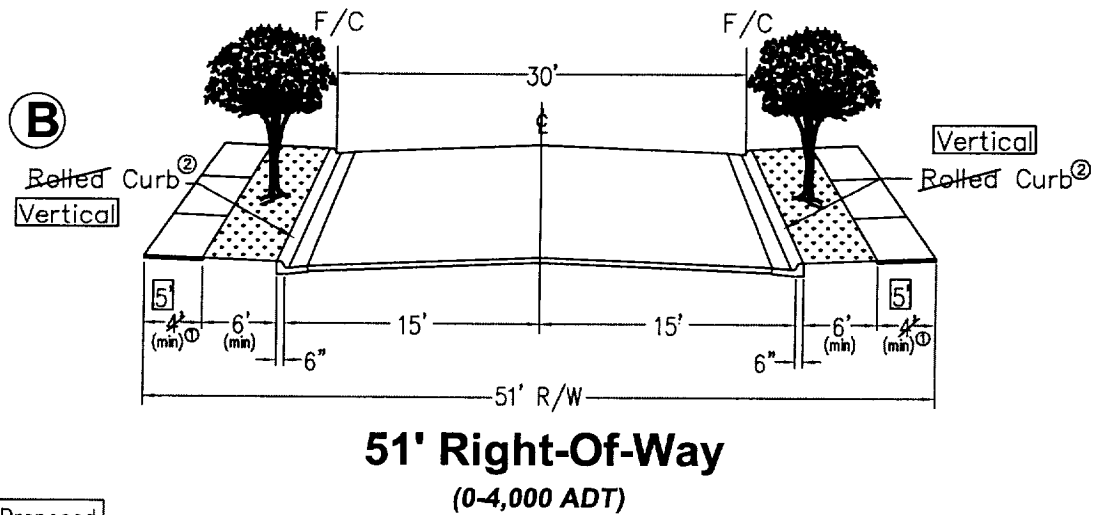
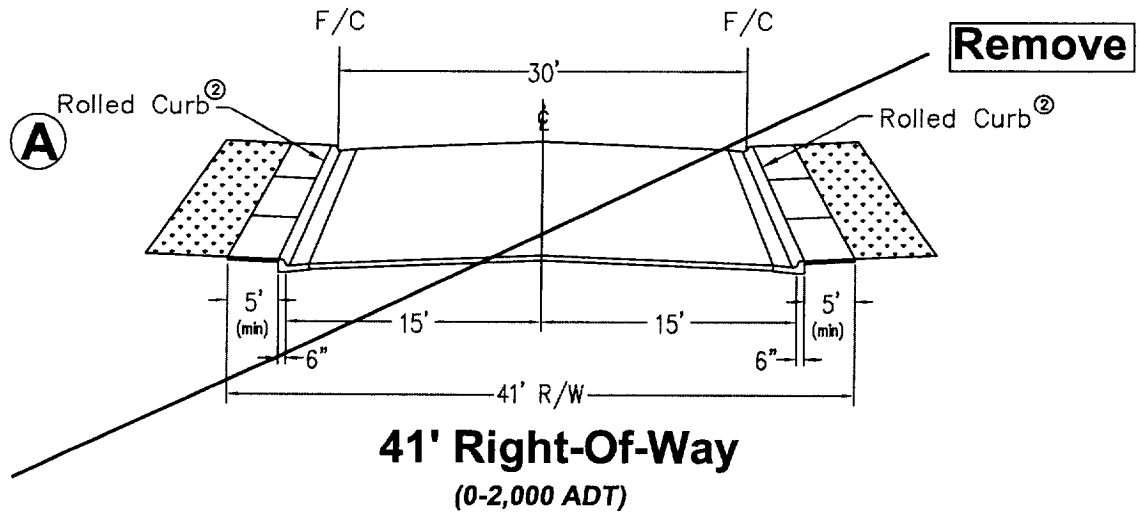
RESOLUTION NO.: 2003-287

DATE ADOPTED: MAY 13 2003

CONCEPTUAL STREET STANDARDS TYPICAL CROSS-SECTIONS

City of Sacramento

LOCAL RESIDENTIAL STREETS



MINOR DEVIATIONS FROM THE STANDARDS REQUIRE THE APPROVAL OF THE DIRECTOR OF PUBLIC WORKS OR THE DESIGNEE.

Revised: 2/7/2003

S:\TS Wk Grp Docs\Develop Svcs\Drawings\pro_at_std\2003 St Stds - LOCAL RESIDENTIAL.dwg RLH

FOR CITY CLERK USE ONLY

RESOLUTION NO.: 2003-287

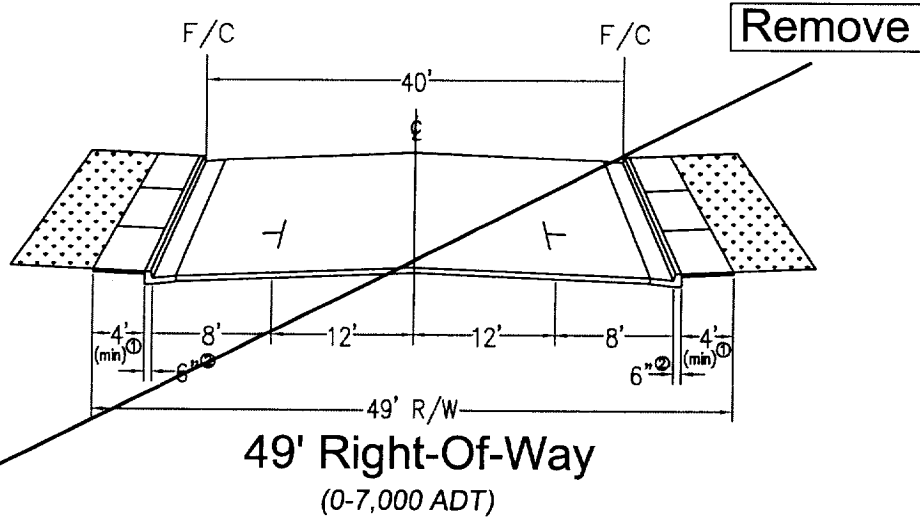
DATE ADOPTED: MAY 13 2003

CONCEPTUAL STREET STANDARDS TYPICAL CROSS-SECTIONS

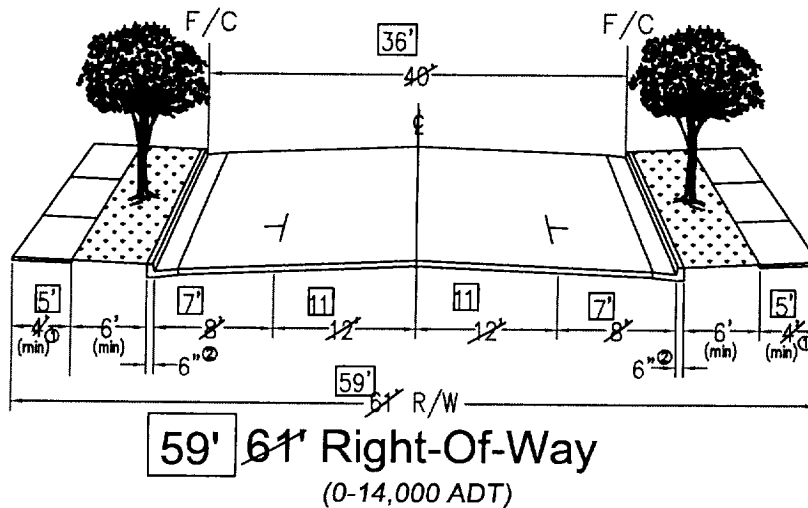
City of Sacramento

LOCAL NON-RESIDENTIAL STREETS

Ⓒ



Ⓓ



MINOR DEVIATIONS FROM THE STANDARDS REQUIRE THE APPROVAL
OF THE DIRECTOR OF PUBLIC WORKS OR THE DESIGNEE.

REVISED: 2/11/2003

S:\TS Wrk Grp Docs\Develop Svcs\Drawings\pro_rt_stds\2003 St Stds - Local non-resid.dwg RLJ

FOR CITY CLERK USE ONLY

RESOLUTION NO.: 2003-287

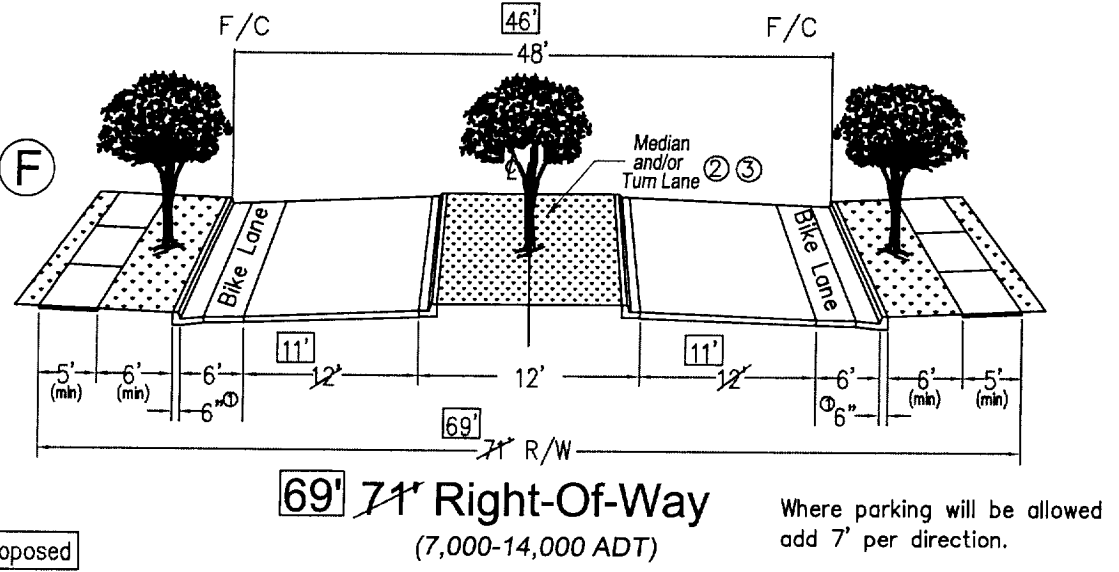
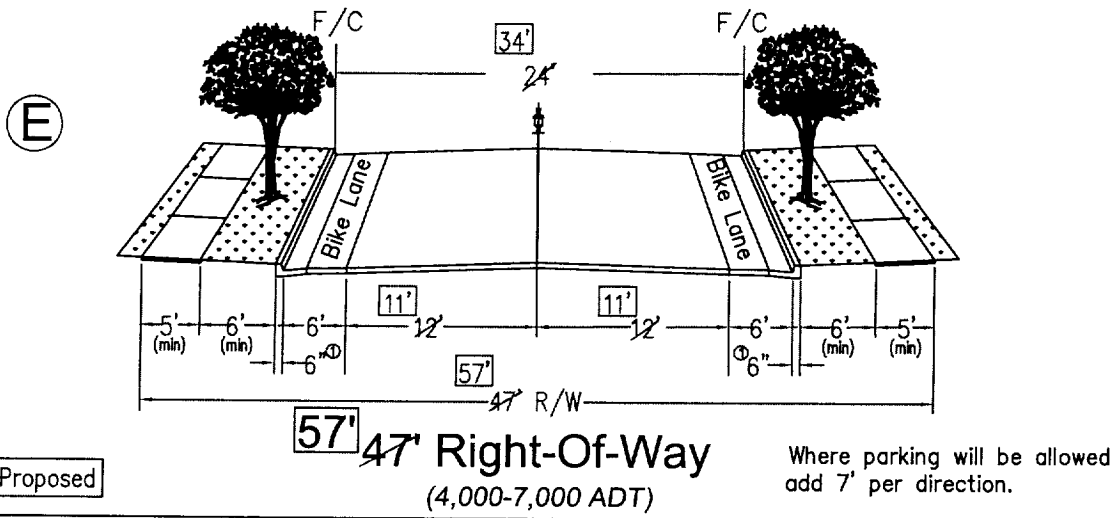
DATE ADOPTED: MAY 13 2003

CONCEPTUAL STREET STANDARDS

TYPICAL CROSS-SECTIONS

City of Sacramento

COLLECTOR STREETS



- ① - Dimensions shown are approximate.
 - ② - The Director of Public Works or the designee will determine whether a turn lane or a landscaped median is installed.
 - ③ Median and median landscaping to be mountable.
- MINOR DEVIATIONS FROM THE STANDARDS REQUIRE THE APPROVAL OF THE DIRECTOR OF PUBLIC WORKS OR THE DESIGNEE.

REVISED: 2/7/2003

S:\TS Wk Grp Docs\Develop Svcs\Drawings\pro_at_std\2003 St Stds - COLLECTOR.dwg RLJ

FOR CITY CLERK USE ONLY

RESOLUTION NO.: 2003-287

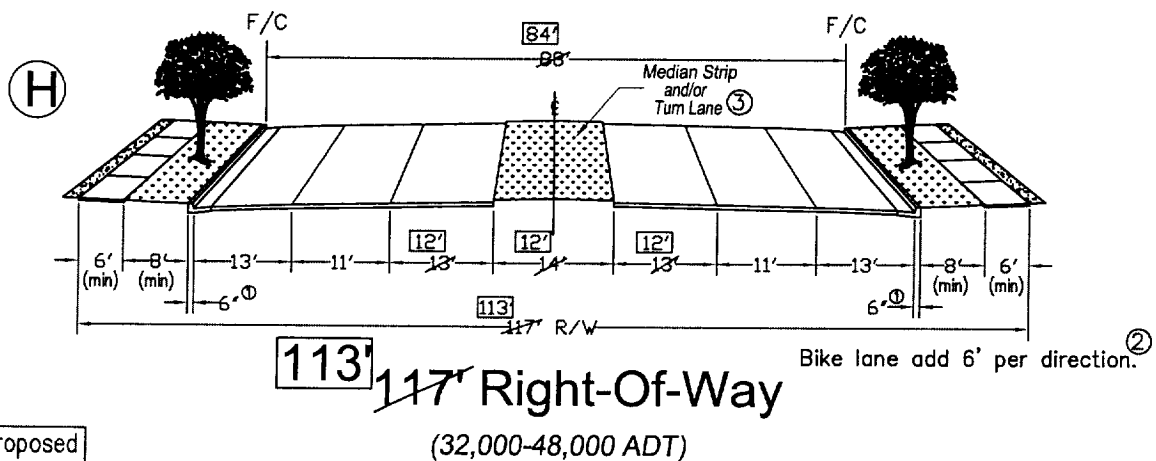
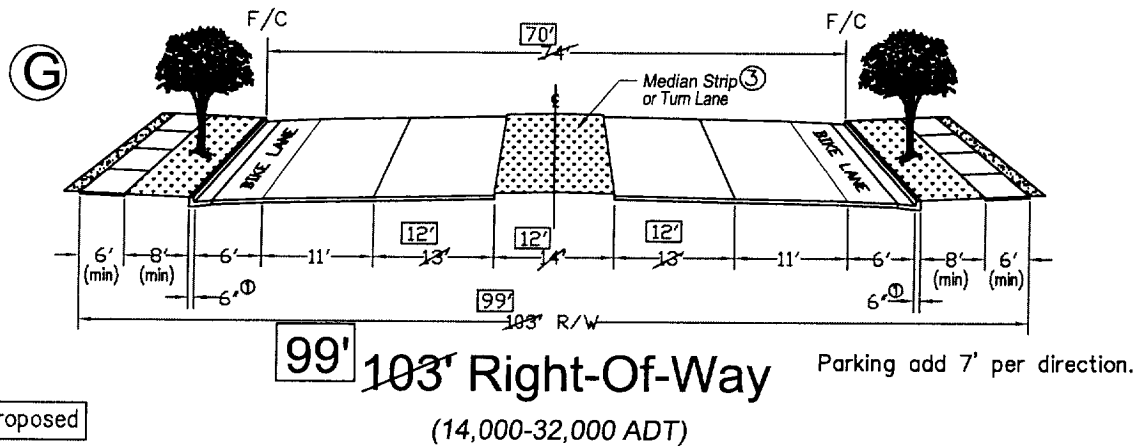
DATE ADOPTED: MAY 13 2003

CONCEPTUAL STREET STANDARDS

TYPICAL CROSS-SECTIONS

City of Sacramento

ARTERIAL STREETS



- ① - Dimensions shown are approximate. See Vertical Curb Section under additional notes.
- ② - Bike lanes will be added per the Bikeway Master Plan And On All segments in North Natomas.
- ③ - The Director of Public Works or designee will determine whether a turn lane or a landscaped median is installed.

MINOR DEVIATIONS FROM THE STANDARDS REQUIRE THE APPROVAL OF THE DIRECTOR OF PUBLIC WORKS OR THE DESIGNEE.

Revised: 2/7/2003

S:\TS Wk Grp Docs\Develop Svcs\Drawings\pro_st_std\2003 St Stds -ARTERIAL.dwg RLK

FOR CITY CLERK USE ONLY

RESOLUTION NO.: 2003-287

DATE ADOPTED: MAY 13 2003

PEDESTRIAN FRIENDLY STREET STANDARDS

Exhibit B

SUMMARY OF ACTIONS

**Presented to Sacramento City Council
May 13, 2003**

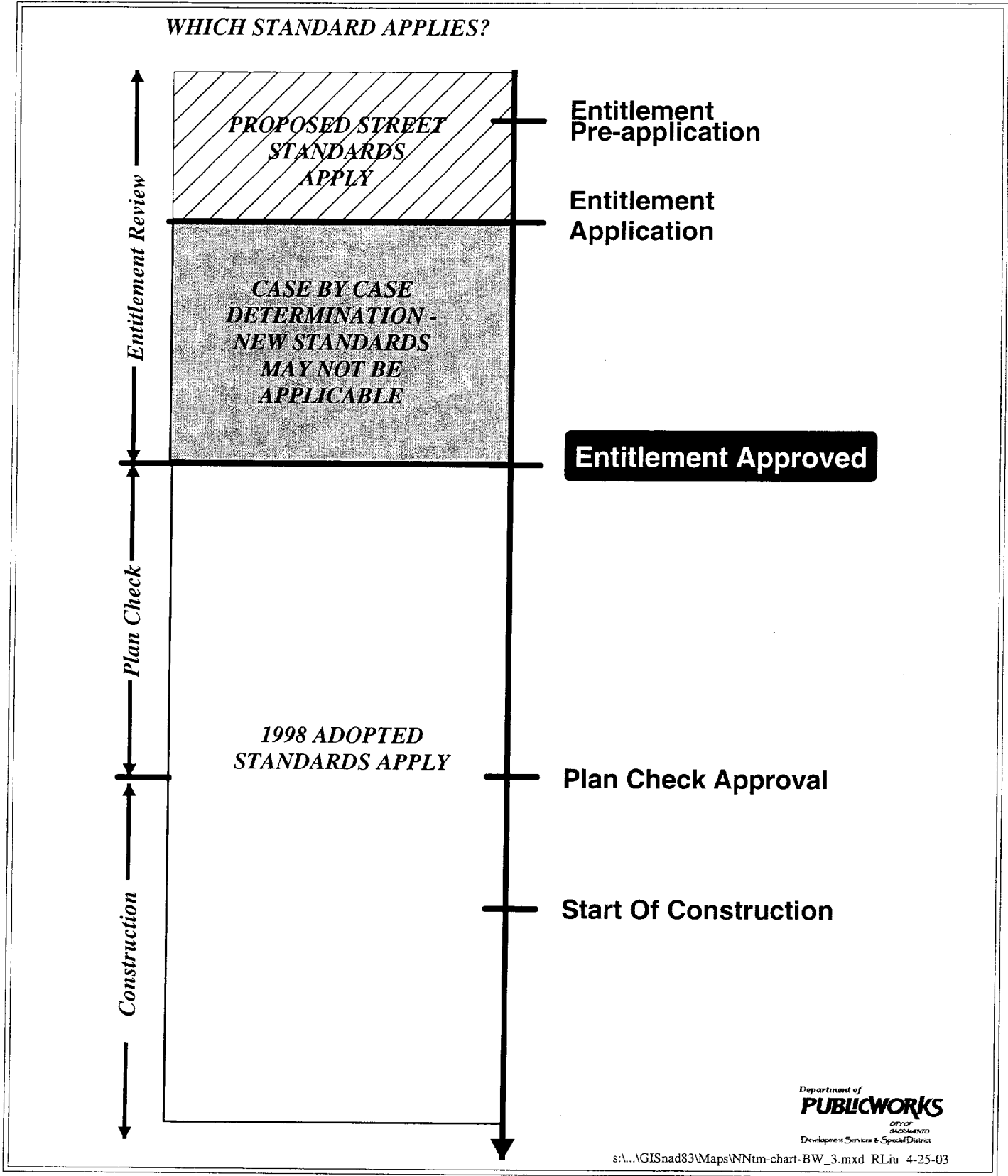
- ✓ Walkable Communities Presentation to City Council, by Dan Burden May, 2002
- ✓ Public Works report to City Council regarding Street Standards Revisions June, 2002
- ✓ Street Standards Revision Team Initiated (with weekly meetings) August, 2002
- ✓ Outreach Consultant hired September, 2002
- ✓ Coordination meeting with Fire and Parks and Recreation Departments September, 2002
- ✓ Councilmember briefings October, 2002
- ✓ Executive team briefing October, 2002
- ✓ Meeting for Developer and Technical Stakeholders November, 2002
- ✓ Community meeting December, 2002
- ✓ Meetings with Specific Developers December, 2002
- ✓ City Council adopts "Pedestrian Safety Guidelines" January, 2002
- ✓ Meetings with SMUD regarding use of the Public Utility Easement. January, 2003
- ✓ Coordination meeting with Planning and Building Department January, 2003
- ✓ Presentation to Disabilities Advisory Committee January, 2003
- ✓ Meetings with North Natomas Working Group February, 2003
- ✓ Meetings with Specific Developer to test standards on real maps. February, 2003
- ✓ Meeting with SMUD and Joint Utilities Committee April, 2003
- ✓ Second Executive Team Briefing April, 2003
- ✓ **City Council Conceptual Approval and Direction to Staff May 2003**

FOR CITY CLERK USE ONLY

RESOLUTION NO.: 2003-287

DATE ADOPTED: MAY 13 2003

TIMELINE OF EVENTS FOR DEVELOPMENT PROJECTS



Department of
PUBLICWORKS
CITY OF SACRAMENTO
 Development Services & Special District
 s:\...AGISnad83\Maps\NNtm-chart-BW_3.mxd RLiu 4-25-03

FOR CITY CLERK USE ONLY

RESOLUTION NO.: 2003-287
 DATE ADOPTED: MAY 13 2003