

CITY OF SACRAMENTO
1231 I Street, Sacramento, CA 95814

Permit No: 0013385

Insp Area: 4

Site Address: 2110 MOONSTONE WY SAC

Sub-Type: NSFR

Parcel No: 225-1410-015

NORTHPOINTE PARK UNIT 7-2 LOT 15

Housing (Y/N):

N

CONTRACTOR

CENTEX HOMES
3300 DOUGLAS BLVD
STE. 210 95661

OWNER

ARCHITECT

Nature of Work: NSFR MP1400 7 RMS

CONSTRUCTION LENDING AGENCY : I hereby affirm under penalty of perjury that there is a construction lending agency for the performance of the work for which this permit is issued (Sec. 3097, Civ. C).

Lender's Name NIA Lender's Address _____

LICENSED CONTRACTORS DECLARATION: I hereby affirm under penalty of perjury that I am licensed under provisions of Chapter 9 (commencing with section 7000) of Division 3 of the Business and Professions Code and my license is in full force and effect.

License Class B License Number 734094 Date 11-13-00 Contractor Signature Debbie Stowers

OWNER-BUILDER DECLARATION: I hereby affirm under penalty of perjury that I am exempt from the contractors License Law for the following reason (Sec. 7031.5, Business and Professions Code; any city or county which requires a permit to construct, alter, improve, demolish, or repair any structure, prior to its issuance, also requires the applicant for such permit to file a signed statement that he or she is licensed pursuant to the provisions of the Contractors License Law (Chapter 9 (commencing with Section 7000) of Division 8 of the Business and Professions Code) or that he or she is exempt therefrom and the basis for the alleged exemption. Any violation of Section 7031.5 by any applicant for a permit subjects the applicant to a civil penalty of not more than five hundred dollars (\$500.00);

____ I, as a owner of the property, or my employees with wages as their sole compensation, will do the work, and the structure is not intended or offered for sale (Sec. 7044, Business and Professional Code: The Contractors License Law does not apply to an owner of property who builds or improves thereon, and who does such work himself or herself or through his/her own employees, provided that such improvements are not intended or offered for sale. If, however, the building or improvement is sold within one year of completion, the owner-builder will have the burden of proving that he/she did not build or improve for the purpose of sale.)

____ I, as owner of the property, am exclusively contracting with licensed contractors to construct the project (Sec. 7044, Business and Professions Code: The Contractors License Law does not apply to an owner of property who builds or improves thereon, and who contracts for such projects with a contractor(s) licensed pursuant to the Contractors License Law).

____ I am exempt under Sec. _____ B & PC for this reason: _____

Date _____ Owner Signature _____

IN ISSUING THIS BUILDING PERMIT, the applicant represents, and the city relies on the representation of the applicant, that the applicant verified all measurements and locations shown on the application or accompanying drawings and that the improvement to be constructed does not violate any law or private agreement relating to permissible or prohibited locations for such improvements. This building permit does not authorize any illegal location of any improvement or the violation of any private agreement relating to location of improvements.

I certify that I have read this application and state that all information is correct. I agree to comply with all city and county ordinances and state laws relating to building construction and hereby authorize representative(s) of this city to enter upon the abovementioned property for inspection purposes.

Date 11-13-00 Applicant/Agent Signature Debbie Stowers

WORKER'S COMPENSATION DECLARATION: I hereby affirm under penalty of perjury one of the following declarations:

____ I have and will maintain a certificate of consent to self-insure for workers' compensation as provided for by Section 3700 of the Labor Code, for the performance of work for which the permit is issued.

I have and will maintain workers' compensation insurance, as required by Section 3700 of the Labor Code, for the performance of the work for which this permit is issued. My workers' compensation insurance carrier and policy number are:

Carrier AMER. GUAR. & LIAB. INS. Policy Number WC8322096-02 Exp Date 10/01/2000

____ (This section need not be completed if the permit is for \$100 or less) I certify that in the performance of the work for which this permit is issued, I shall not employ any person in any manner so as to become subject to the workers' compensation laws of California and agree that if I should become subject to the workers' compensation provisions of Section 3700 of the Labor Code, I shall forthwith comply with those provisions.

Date 11-13-00 Applicant Signature Debbie Stowers

WARNING: FAILURE TO SECURE WORKER'S COMPENSATION COVERAGE IS UNLAWFUL AND SHALL SUBJECT AN EMPLOYER TO CRIMINAL PENALTIES AND CIVIL FINES UP TO ONE HUNDRED THOUSAND DOLLARS (\$100,000) IN ADDITION TO THE COST OF COMPENSATION. DAMAGES AS PROVIDED FOR IN SECTION 3706 OF THE LABOR CODE, INTEREST AND ATTORNEY'S FEE.

THIS PERMIT SHALL EXPIRE BY LIMITATION IF WORK IS NOT COMMENCED WITHIN 180 DAYS.

RESIDENTIAL BUILDING PERMIT APPLICATION

New Construction

Addition

Remodels

Other 13385

Project Address: 1111 P... ..

Assessor Parcel # 225-141-015

OWNER INFORMATION:

Legal Property Owner: Center Homes Phone # 786-8693
Owner Address: 3700 Douglas Blvd #150 City Roseville State CA Zip 95661

CONTRACTOR INFORMATION:

Contractor: Center Homes Lic. # 734094 Phone # 786-8693 Fax# 786-6802

PROJECT INFORMATION:

Land Use Zone RIA Occupancy Group R3 Construction Type VN Fed Code 1A
No. of stories: 1 No. of rooms: _____ Street width: _____
1st Floor Area 1423 2nd Floor Area _____ Basement _____ Roof Material _____
AREA IN SQUARE FOOT OF:

	EXISTING	NEW
Dwelling/Living	_____	<u>1423</u>
Garage/Storage	_____	<u>401</u>
Decks/Balconies	_____	_____
Carports	_____	_____

SCOPE OF WORK: MP 1423 New SFR

FOR OFFICE USE ONLY

- Information above complete
- AR Flood Waiver required
- Planning Approval
- Violation files checked
- Flood Elevation Certificate Required
- Design Review Approval
- Standard setbacks
- Water Development Infill Area
- Special Fee Districts Apply : _____
- County Sewer

NEW STRUCTURES & ADDITIONS

❖ THE FOLLOWING MUST BE PROVIDED IN ORDER TO SUBMIT FOR PLAN REVIEW

- 2 COMPLETE PLANS, LEGIBLE & DRAWN TO SCALE ❖ Plans to include: site plan, floor plan, elevations, roof/ceiling plan, foundation and structural framing details, and structural calculations for non-conforming structures.
- 3 SETS IF PROJECT IS IN A DESIGN REVIEW AREA
- Title 24 Energy Compliance documentation
- 11" x 17" copy of floor plan for County Assessor
- Grading and Erosion Control Questionnaire
- Plan Review Fees

Date: _____

Received by: (staff) _____

ACTIVITY/PERMIT # _____

INSULATION CERTIFICATE

THIS IS TO CERTIFY THAT INSULATION HAS BEEN INSTALLED IN CONFORMANCE WITH THE CURRENT ENERGY REGULATIONS, CALIFORNIA ADMINISTRATION CODE, TITLE 24, STATE OF CALIFORNIA, IN THE BUILDING LOCATED AT:

SITE ADDRESS: LOT 215 NORTHPOINTE SACRAMENTO, CA
STREET CITY STATE

CEILING:

BLOW: MANUFACTURER GREENSTONE THICKNESS 10.3" R-VALUE 38
SQUARE FEET 1350 # BAGS/LBS PER BAGS 87

BATTS: MANUFACTURER JOHNS MANVILLE THICKNESS 13" R-VALUE 38
JOHNS MANVILLE

EXTERIOR WALLS:

MANUFACTURER JOHNS MANVILLE THICKNESS 3.5" R-VALUE 13
JOHNS MANVILLE

FLOOR INSULATION:

MANUFACTURER JOHNS MANVILLE THICKNESS N/A R-VALUE N/A

AIR INFILTRATION: (TITLE 24)
YES XXX NO

OTHER: _____

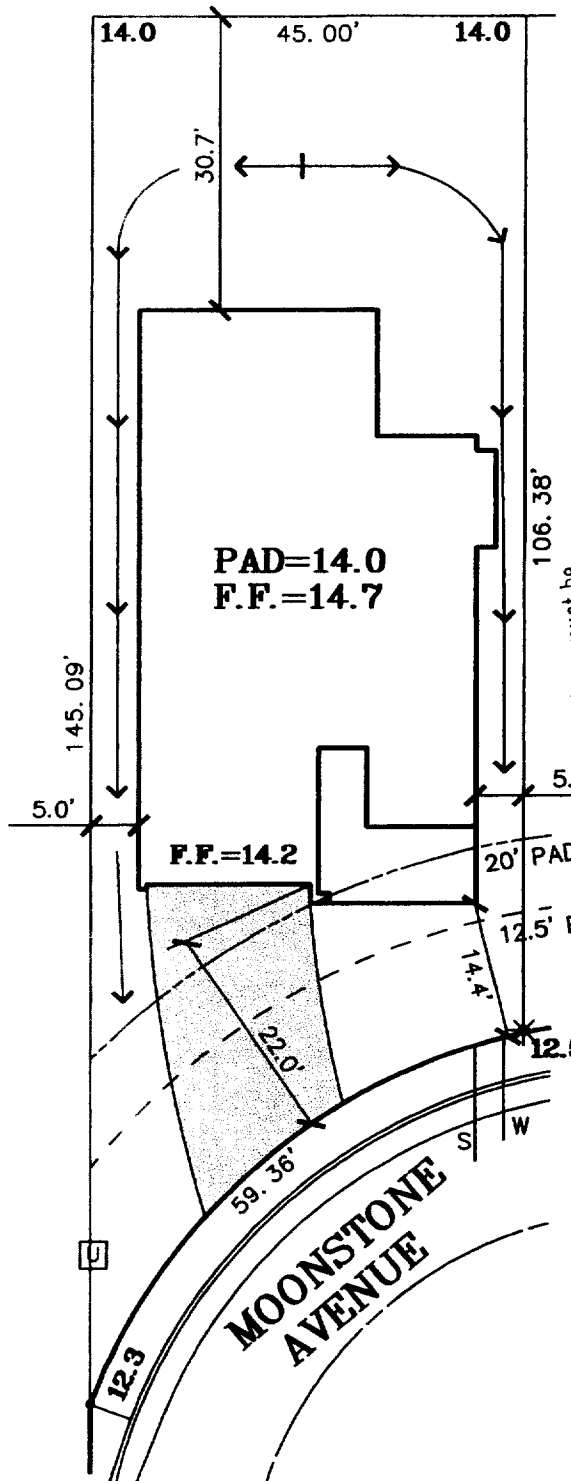
GENERAL CONTRACTOR: CENTEX HOMES LICENSE # _____

BY: _____ TITLE _____ DATE _____

INSULATION CONTRACTOR: WESTERN INSULATION, INC. LICENSE # 481278

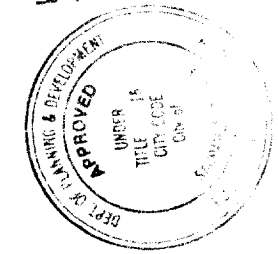
BY: Jamie Blair TITLE AUTH. AGENT DATE 5/10/01
JAMIE BLAIR

Note to Buyer: This plot plan is provided as a general layout of the property. All information on this plan, including but not limited to tree locations and sizes, setback dimensions, driveway grades, and wall heights and locations, are approximate and may vary or change without prior notice.



SCALE: 1" = 20'

This set of plans and specifications must be kept on the job at all times and it is unlawful to make any changes or alterations from the same without written permission from the Building Inspector. The approval of this plan is not valid if the Building Inspector is not present at the time of construction.



LOT 15
 PLAN 1423A LEFT
 A.P.N.:
 ADDRESS: 2110 MOONSTONE AVENUE
 LOT AREA: 5,355 SF
 LOT COVERAGE: 38%

READ AND APPROVED	
Plan <u>1423</u>	Land Development _____
Elevation <u>A</u>	Const. Manager _____
Orientation <u>G-LEFT</u>	Sales Appr. _____
Color <u>3</u>	Field Manager _____

The Spink Corporation
 2590 VENTURE OAKS WAY
 SACRAMENTO, CA. 95833
 PH:(916)926-5550 FAX:(916)921-9274

CENTEX HOMES
 3700 Douglas Boulevard
 Suite 150
 Roseville, Ca. 95661
 office: (916) 786-8693
 fax: (916) 786-6802

NORTHPOINTE PARK
 UNIT NO. 7 PHASE 2
 City of Sacramento, California

Scale: 1"=20' October 11, 2000