

**CITY OF SACRAMENTO**

**1231 I Street, Sacramento, CA 95814**

**Permit No: 0002251**

**Insp Area: 4**

**Site Address: 1770 CLAYTON WY SAC**

Parcel No: 225-1100-077

NORTHPT PK 5 LOT 77

Sub-Type: NSFR

Housing (Y/N): N

**CONTRACTOR**

CENTEX HOMES  
3300 DOUGLAS BLVD  
STE. 210 95661

**OWNER**

**ARCHITECT**

**Nature of Work: NSFR MP1922 OPT 10 RMS 2 STORY**

**CONSTRUCTION LENDING AGENCY :** I hereby affirm under penalty of perjury that there is a construction lending agency for the performance of the work for which this permit is issued (Sec. 3097, Civ. C).

Lender's Name NA Lender's Address \_\_\_\_\_

**LICENSED CONTRACTORS DECLARATION:** I hereby affirm under penalty of perjury that I am licensed under provisions of Chapter 9 (commencing with section 7000) of Division 3 of the Business and Professions Code and my license is in full force and effect.

License Class B License Number 734094 Date 3/17/00 Contractor Signature Debbie Stouen

**OWNER-BUILDER DECLARATION:** I hereby affirm under penalty of perjury that I am exempt from the contractors License Law for the following reason (Sec. 7031.5, Business and Professions Code: any city or county which requires a permit to construct, alter, improve, demolish, or repair any structure, prior to its issuance, also requires the applicant for such permit to file a signed statement that he or she is licensed pursuant to the provisions of the Contractors License Law (Chapter 9 (commencing with Section 7000) of Division 8 of the Business and Professions Code) or that he or she is exempt therefrom and the basis for the alleged exemption. Any violation of Section 7031.5 by any applicant for a permit subjects the applicant to a civil penalty of not more than five hundred dollars (\$500.00);

\_\_\_\_ I, as a owner of the property, or my employees with wages as their sole compensation, will do the work, and the structure is not intended or offered for sale (Sec. 7044, Business and Professional Code: The Contractors License Law does not apply to an owner of property who builds or improves thereon, and who does such work himself or herself or through his/her own employees, provided that such improvements are not intended or offered for sale. If, however, the building or improvement is sold within one year of completion, the owner-builder will have the burden of proving that he/she did not build or improve for the purpose of sale.)

\_\_\_\_ I, as owner of the property, am exclusively contracting with licensed contractors to construct the project (Sec. 7044, Business and Professions Code: The Contractors License Law does not apply to an owner of property who builds or improves thereon, and who contracts for such projects with a contractor(s) licensed pursuant to the Contractors License Law).

\_\_\_\_ I am exempt under Sec. \_\_\_\_\_ B & PC for this reason: \_\_\_\_\_

Date \_\_\_\_\_ Owner Signature \_\_\_\_\_

**IN ISSUING THIS BUILDING PERMIT,** the applicant represents, and the city relies on the representation of the applicant, that the applicant verified all measurements and locations shown on the application or accompanying drawings and that the improvement to be constructed does not violate any law or private agreement relating to permissible or prohibited locations for such improvements. This building permit does not authorize any illegal location of any improvement or the violation of any private agreement relating to location of improvements.

I certify that I have read this application and state that all information is correct. I agree to comply with all city and county ordinances and state laws relating to building construction and hereby authorize representative(s) of this city to enter upon the abovementioned property for inspection purposes.

Date 3/17/00 Applicant/Agent Signature Debbie Stouen

**WORKER'S COMPENSATION DECLARATION:** I hereby affirm under penalty of perjury one of the following declarations:

\_\_\_\_ I have and will maintain a certificate of consent to self-insure for workers' compensation as provided for by Section 3700 of the Labor Code, for the performance of work for which the permit is issued.

I have and will maintain workers' compensation insurance, as required by Section 3700 of the Labor Code, for the performance of the work for which this permit is issued. My workers' compensation insurance carrier and policy number are:

Carrier AMER. GUAR.& LIAB. INS. Policy Number WC8322096-02 Exp Date 10/01/2000

\_\_\_\_ (This section need not be completed if the permit is for \$100 or less) I certify that in the performance of the work for which this permit is issued, I shall not employ any person in any manner so as to become subject to the workers' compensation laws of California and agree that if I should become subject to the workers' compensation provisions of Section 3700 of the Labor Code, I shall forthwith comply with those provisions.

Date 3/17/00 Applicant Signature Debbie Stouen

**WARNING:** FAILURE TO SECURE WORKER'S COMPENSATION COVERAGE IS UNLAWFUL AND SHALL SUBJECT AN EMPLOYER TO CRIMINAL PENALTIES AND CIVIL FINES UP TO ONE HUNDRED THOUSAND DOLLARS (\$100,000) IN ADDITION TO THE COST OF COMPENSATION, DAMAGES AS PROVIDED FOR IN SECTION 3706 OF THE LABOR CODE, INTEREST AND ATTORNEY'S FEE.

**THIS PERMIT SHALL EXPIRE BY LIMITATION IF WORK IS NOT COMMENCED WITHIN 180 DAYS.**

INSULATION CERTIFICATE

**THIS IS TO CERTIFY THAT INSULATION HAS BEEN INSTALLED IN CONFORMANCE WITH THE CURRENT ENERGY REGULATIONS, CALIFORNIA ADMINISTRATION CODE, TITLE 24, STATE OF CALIFORNIA, IN THE BUILDING LOCATED AT:**

SITE ADDRESS: lot 77 Northpointe Sacramento CA  
NUMBER STREET CITY STATE

CEILING:

BLOW: Manufacturer Greenstone Thickness 10.3" R/Value 38  
Square Feet 1011 # Bags/Lbs. per bags 39

BATTS: Manufacturer Johns Manville Thickness 13" R/Value 38

EXTERIOR WALLS:

Manufacturer Johns Manville Thickness 3.5" R/Value 13  
6.25" R/Value 19

FLOOR INSULATION:

Manufacturer \_\_\_\_\_ Thickness \_\_\_\_\_ R/Value \_\_\_\_\_

AIR INFILTRATION: (TITLE 24)

Yes XX No \_\_\_\_\_

OTHER: \_\_\_\_\_

GENERAL CONTRACTOR: Centex Homes LIC. # \_\_\_\_\_

BY: \_\_\_\_\_ TITLE \_\_\_\_\_ DATE \_\_\_\_\_

INSULATION CONTRACTOR: Western Insulation, Inc. LIC. # 481278

BY: James Blair TITLE Auth. Agent DATE 6/13/00

**RESIDENTIAL BUILDING PERMIT APPLICATION**

New Construction       Addition       Remodels       Other

Project Address: 1770 Clayton Way      Assessor Parcel # 225-1100-077  
LOT 77

**OWNER INFORMATION:**

Legal Property Owner: Center Homes      Phone # 786-8693  
 Owner Address: 3700 Douglas Blvd #150 City Roseville      State CA      Zip 95661

**CONTRACTOR INFORMATION:**

Contractor: Center Homes      Lic. # 734094      Phone # 786-8693      Fax# 786-6802

**PROJECT INFORMATION:**

Land Use Zone RIA      Occupancy Group R3      Construction Type VN      Fed Code 1A  
 No. of stories: 2      No. of rooms: \_\_\_\_\_      Street width: \_\_\_\_\_  
 1<sup>st</sup> Floor Area 1138      2<sup>nd</sup> Floor Area 925      Basement \_\_\_\_\_      Roof Material \_\_\_\_\_

<b>AREA IN SQUARE FOOT OF:</b>	<b><u>EXISTING</u></b>	<b><u>NEW</u></b>
Dwelling/Living	_____	<u>2063</u>
Garage/Storage	_____	<u>492</u>
Decks/Balconies	_____	_____
Carports	_____	_____

SCOPE OF WORK: MP 1722      New SFR

**FOR OFFICE USE ONLY**

<input type="checkbox"/> Information above complete	<input type="checkbox"/> AR Flood Waiver required	<input type="checkbox"/> Planning Approval
<input type="checkbox"/> Violation files checked	<input type="checkbox"/> Flood Elevation Certificate Required	<input type="checkbox"/> Design Review Approval
<input type="checkbox"/> Standard setbacks	<input type="checkbox"/> Water Development Infill Area	<input type="checkbox"/> Special Fee Districts Apply : _____
<input type="checkbox"/> County Sewer		

**NEW STRUCTURES & ADDITIONS**

❖ THE FOLLOWING MUST BE PROVIDED IN ORDER TO SUBMIT FOR PLAN REVIEW

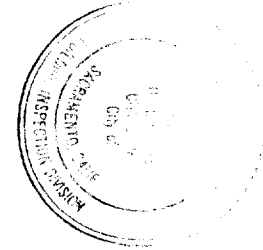
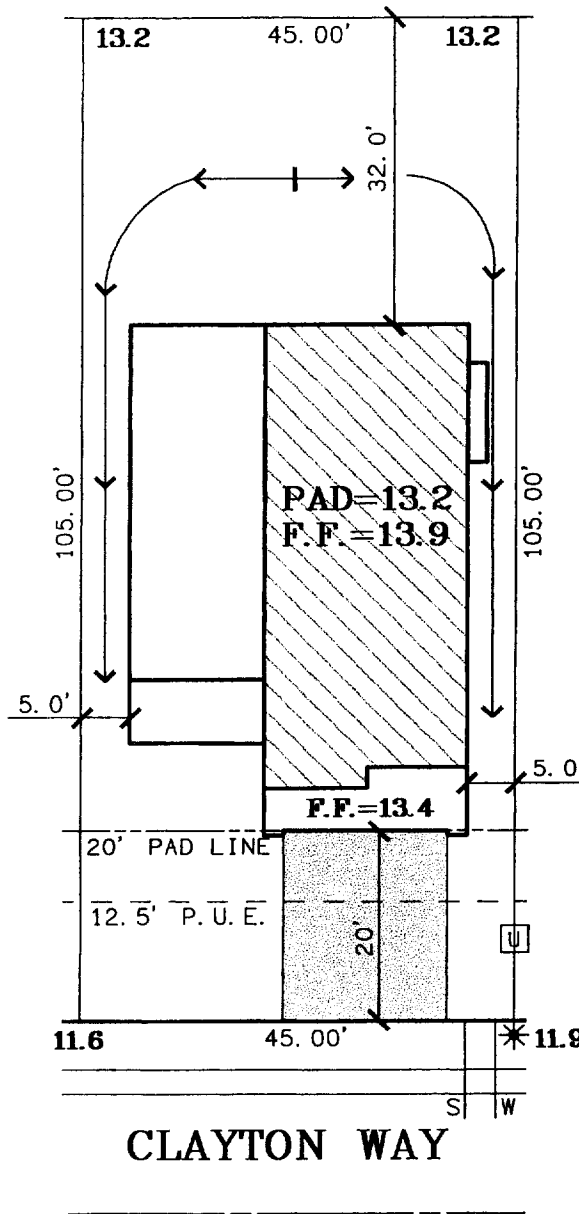
<input type="checkbox"/> 2 COMPLETE PLANS, LEGIBLE & DRAWN TO SCALE	❖ Plans to include: site plan, floor plan, elevations, roof/ceiling plan, foundation and structural framing details, and structural calculations for non-conforming structures.
<input type="checkbox"/> 3 SETS IF PROJECT IS IN A DESIGN REVIEW AREA	

<input type="checkbox"/> Title 24 Energy Compliance documentation	<input type="checkbox"/> 11" x 17" copy of floor plan for County Assessor
<input type="checkbox"/> Grading and Erosion Control Questionnaire	<input type="checkbox"/> Plan Review Fees

Date: \_\_\_\_\_ Received by: (staff) \_\_\_\_\_

ACTIVITY/PERMIT #

Note to Buyer: This plot plan is provided as a general layout of the property. All information on this plan, including but not limited to tree locations and sizes, setback dimensions, driveway grades, and wall heights and locations, are approximate and may vary or change without prior notice.



The approval of this plan and specification SHALL NOT be held to permit or approve the violation of any City Ordinance or State Law.

SCALE: 1" = 20'

**LOT 77**  
**PLAN 1922A RIGHT**  
**A.P.N.: 225-1100-077**  
**ADDRESS: 1770 CLAYTON WAY**  
**LOT AREA: 4,725 SF**  
**LOT COVERAGE: 43%**

**READ AND APPROVED**  
 Plan 1922 Land Development SP 1/24/00  
 Elevation A Const. Manager \_\_\_\_\_  
 Orientation CAR RIGHT Sales Appr. \_\_\_\_\_  
 Color \_\_\_\_\_ Field Manager \_\_\_\_\_

**The Splink Corporation**  
 2590 VENTURE OAKS WAY  
 SACRAMENTO, CA. 95833

**CENTEX HOMES**  
 3700 Douglas Boulevard  
 Suite 150  
 Roseville, Ca. 95661

office: (916) 786-8693  
 fax: (916) 786-6802

**NORTHPOINTE PARK**  
**UNIT NO. 5**  
 City of Sacramento, California

Scale: 1"=20'

January 17, 2000