

CITY OF SACRAMENTO
1231 I Street, Sacramento, CA 95814

Permit No: 0103611

Insp Area: 4

Site Address: 250 ALCANTAR CR SAC
Parcel No: RIVERVIEW 2-3A LOT 7 Housing (Y/N):

Sub-Type: NSFR
N

CONTRACTOR
D. R. HORTON INC
110 BLUE RAVINE RD STE. 209
FOLSOM CA 95630

OWNER

ARCHITECT

Nature of Work: MP 2450 - 2 STORY 9 ROOM SFR

CONSTRUCTION LENDING AGENCY: I hereby affirm under penalty of perjury that there is a construction lending agency for the performance of the work for which this permit is issued (Sec. 3097, Civ. C.)

Lender's Name _____ Lender's Address _____

LICENSED CONTRACTORS DECLARATION: I hereby affirm under penalty of perjury that I am licensed under provisions of Chapter 9 (commencing with section 7000) of Division 3 of the Business and Professions Code and my license is in full force and effect.

License Class B License Number 150196 Date 3/27/01 Contractor Signature D. Collins

OWNER-BUILDER DECLARATION: I hereby affirm under penalty of perjury that I am exempt from the contractors License Law for the following reason (Sec. 7031.5, Business and Professions Code: any city or county which requires a permit to construct, alter, improve, demolish, or repair any structure, prior to its issuance, also requires the applicant for such permit to file a signed statement that he or she is licensed pursuant to the provisions of the Contractors License Law (Chapter 9 (commencing with Section 7000) of Division 8 of the Business and Professions Code) or that he or she is exempt therefrom and the basis for the alleged exemption. Any violation of Section 7031.5 by any applicant for a permit subjects the applicant to a civil penalty of not more than five hundred dollars (\$500.00).

I, as a owner of the property, or my employees with wages as their sole compensation, will do the work, and the structure is not intended or offered for sale (Sec. 7044, Business and Professional Code). The Contractors License Law does not apply to an owner of property who builds or improves thereon, and who does such work himself or herself or through his/her own employees, provided that such improvements are not intended or offered for sale. If, however, the building or improvement is sold within one year of completion, the owner-builder will have the burden of proving that he/she did not build or improve for the purpose of sale.

I, as owner of the property, am exclusively contracting with licensed contractors to construct the project (Sec. 7044, Business and Professions Code). The Contractors License Law does not apply to an owner of property who builds or improves thereon, and who contracts for such projects with a contractor(s) licensed pursuant to the Contractors License Law.

I am exempt under Sec. _____ B & PC for this reason: _____

Date _____ Owner Signature _____

IN ISSUING THIS BUILDING PERMIT, the applicant represents, and the city relies on the representation of the applicant, that the applicant verified all measurements and locations shown on the application or accompanying drawings and that the improvement to be constructed does not violate any law or private agreement relating to permissible or prohibited locations for such improvements. This building permit does not authorize any illegal location of any improvement or the violation of any private agreement relating to location of improvements.

I certify that I have read this application and state that all information is correct. I agree to comply with all city and county ordinances and state laws relating to building construction and hereby authorize representative(s) of this city to enter upon the abovementioned property for inspection purposes.

Date 3/27/01 Applicant/Agent Signature D. Collins

WORKER'S COMPENSATION DECLARATION: I hereby affirm under penalty of perjury one of the following declarations:

I have and will maintain a certificate of consent to self-insure for workers' compensation as provided for by Section 3700 of the Labor Code, for the performance of work for which the permit is issued.

I have and will maintain workers' compensation insurance, as required by Section 3700 of the Labor Code, for the performance of the work for which this permit is issued. My workers' compensation insurance carrier and policy number are:

Carrier ARGONAUT INS. CO Policy Number WC62600115505 Exp Date 07/01/2000

(This section need not be completed if the permit is for \$100 or less.) I certify that for the performance of the work for which this permit is issued, I shall not employ any person in any manner so as to become subject to the workers' compensation laws of California and agree that if I should become subject to the workers' compensation provisions of Section 3700 of the Labor Code, I shall voluntarily comply with those provisions.

Date 3/27/01 Applicant Signature D. Collins

WARNING: FAILURE TO SECURE WORKER'S COMPENSATION COVERAGE IS UNLAWFUL AND SHALL SUBJECT AN EMPLOYER TO CRIMINAL PENALTIES AND CIVIL FINES UP TO ONE HUNDRED THOUSAND DOLLARS (\$100,000) IN ADDITION TO THE COST OF COMPENSATION, DAMAGES AS PROVIDED FOR IN SECTION 3706 OF THE LABOR CODE, INTEREST AND ATTORNEY'S FEE.

THIS PERMIT SHALL EXPIRE BY LIMITATION IF WORK IS NOT COMMENCED WITHIN 180 DAYS.

#7

OMEGA PRODUCTS CORP.

DIAMOND WALL INSULATING STUCCO SYSTEM

JOB ADDRESS:

D.R. Horton
Park View

ICBO Report #4004

Date of Job Completion 6/29/67

PLASTERING CONTRACTOR:

Name: STUCCO WORKS INC.

Address: 5900 WAREHOUSE WAY, SACRAMENTO, CALIFORNIA 95826

Telephone No: (916) 383-6699

Contractor Number of Diamond Wall System 2175

This is to certify that the exterior coating system on the building exterior at the above address has been installed in accordance with the evaluation report specified above and the manufacturer's instructions.

Date 7/20/67

[Signature]
Signature of authorized representative of
Plastering Contractor

This installation card must be presented to the building inspector after completion of work and before final inspection.

RESIDENTIAL SUBDIVISION BUILDING PERMIT APPLICATION

Project Address: 250 Alcantar Circle Assessor Parcel # _____
Lot Number: 7 Subdivision RIVERVIEW #2, Unit #3-A

OWNER INFORMATION:

Legal Property Owner: D.R. HORTON Phone# 965-2200
Owner Address: _____ City _____ State _____ Zip _____

CONTRACTOR INFORMATION:

Contractor: DA HORTON Lic. # 750190 Phone # 965-2200 Fax 956-22

PROJECT INFORMATION:

Land Use Zone RIA Occupancy Group R3 Construction Type VN Fed Code 1A
No. of Stories: 2 No. of Rooms: 9 Street Width: _____
1st Floor Area _____ 2nd Floor Area _____ Basement _____ Roof Material _____
AREA IN SQUARE FOOT OF:
Dwelling/Living 2450
Garage/Storage 650
Decks/Balconies 36
Carports _____
SCOPE OF WORK: _____

- Information Above Complete
- Violation Files Checked
- Standard Setbacks
- County Sewer
- AR Flood Waiver Required
- Flood Elevation Certificate Required
- Water Development Infill Area
- Planning Approval
- Design Review Approval
- Special Fee Districts Apply:

~THE FOLLOWING MUST BE PROVIDED IN ORDER TO SUBMIT FOR PERMIT~

- 2 COMPLETE PLOT PLANS, LEGIBLE & DRAWN TO SCALE
- 11 X 17 COPY OF FLOOR PLAN WITH FOLLOWING INFORMATION
 - a) Assessor's Parcel Number
 - b) New Floor Area
 - c) Owners Name
 - d) Project Address

Received by: (staff) _____ Permit # _____

FOR
OFFICE
USE
ONLY

CERTIFICATION OF INSULATION

PART I GENERAL	ADDRESS OR TRACT	SACRAMENTO INSULATION CONTRACTORS
	<p style="font-size: 1.5em;">D. R. Horton LOT # 7</p> <p style="font-size: 1.5em;">Park West</p>	<input checked="" type="checkbox"/> P.O. BOX 854, WEST SACRAMENTO, CA 95691 LIC. #202026 <input type="checkbox"/> 1309 MELODY ROAD, MARYSVILLE, CA 95901 LIC. #202026 <input type="checkbox"/> P.O. BOX 9651, FRESNO, CA 93793-9651 LIC. #202026 <input type="checkbox"/> P.O. BOX 1631, RENO, NV 89505 LIC. #10675 <input type="checkbox"/> 3326 A PONDEROSA WAY, LAS VEGAS, NV 89118 LIC. #10675
		DATE INSULATION COMPLETED 6/19/01

PART II AREAS INSULATED	WALLS		CEILING			FLOORS	
	(SQUARE FEET)		(SQUARE FEET)			(SQUARE FEET)	
	TYPE OF INSULATION		TYPE OF INSULATION			TYPE OF INSULATION	
	MATERIAL FIBERGLASS		MATERIAL FIBERGLASS			MATERIAL FIBERGLASS	
	FORM BATTS		FORM BATTS & BLOW			FORM BATTS	
	MANUFACTURER'S PRODUCT I.D.		MANUFACTURER'S PRODUCT I.D.			MANUFACTURER'S PRODUCT I.D.	
	MANUFACTURER		MANUFACTURER			MANUFACTURER	
	OCF		OCF			OCF	
			BAGS				
	R - VALUE INSTALLED	APPLIED THICKNESS	R - VALUE INSTALLED	APPLIED THICKNESS	MIN. INSTALLED WEIGHT PER SQUARE FOOT	R - VALUE INSTALLED	APPLIED THICKNESS
13 19	3 5/2" 6 1/4"	30 30	4 1/2" 12"				
KNEE WALLS IF R-VALUE IS OTHER THAN WALLS ABOVE							
MATERIAL FIBERGLASS		FORM BATTS		R VALUE		MANUFACTURER OCF	
AIR INFILTRATION SEALANT							
MATERIAL Foam				MANUFACTURER W R GRACE			

THIS IS TO CERTIFY THAT INSULATION AND/OR SEALANT HAS BEEN INSTALLED IN CONFORMANCE WITH APPLICABLE CODES, MATERIAL STANDARDS AND REGULATIONS.		
SIGNATURE—INSULATION CONTRACTOR <i>Bill Gump</i>	TITLE MANAGER	DATE
SIGNATURE—GENERAL CONTRACTOR	TITLE	DATE
REMARKS		

Norman

Scheel

Structural

Engineer

Sacramento
5022 Sunrise Blvd.
Fair Oaks, CA 95628
(916) 536-9585
(916) 536-0260 (fax)

NORMAN SCHEEL
Structural Engineer
Email: norm@nsse.com

ROBERT COON
Project Manager
Email: rob@nsse.com

PAULO IBANEZ
Project Manager
Email: paulo@nsse.com

TIM SLOAN
Project Manager
Email: tjm@nsse.com

STEVE COOKSEY
CAD Supervisor
Email: steve@nsse.com

STACY MARLIN
Office Manager
Email: stacy@nsse.com

Davis
213 E Street Suite B
Davis, CA 95616
(530)753-5300
(530)753-5380(fax)

TRACY HARRIS P.E.
Project Engineer
Email: tracy@nsse.com

DARRELL PEREIRA
Design Engineer
Email: darrell@nsse.com

April 10, 2001

D.R. Horton
4401 Hazel Avenue #135
Fair Oaks, CA 95628

Re: Riverview (Job #20424)
Epoxy Holdown Repair @ Bedroom

To Whom It May Concern:

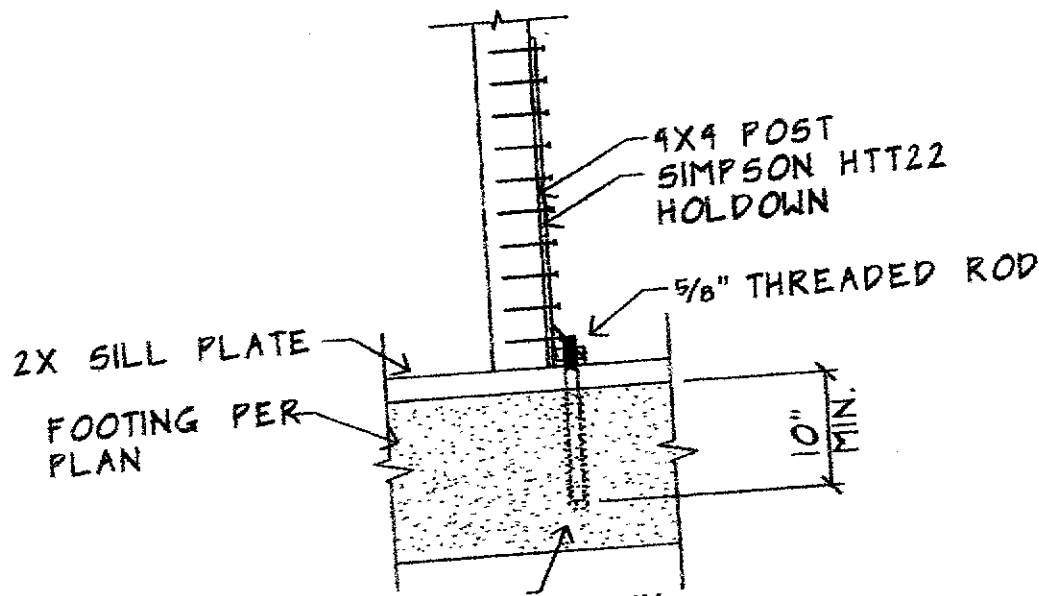
This letter is to clarify that epoxy repairs may be used at the rear of the house where the shear walls were added. The shear wall at the nook next to the sliding glass door may be 3'-0" long minimum. See epoxy fix on next page.

If you have any questions, please call Rob Coon


NORMAN SCHEEL
STRUCTURAL ENGINEER



PLAN ADDENDUM



DRILLED $\frac{3}{4}$ " ϕ HOLE AND EPOXY
WITH SIMPSON SET EPOXY SYSTEM
PER MANUFACTURES SPECIFICATIONS

PULL TEST TO 5250*

HPAHD22, HD-2A, HD-5A EPOXY FIX

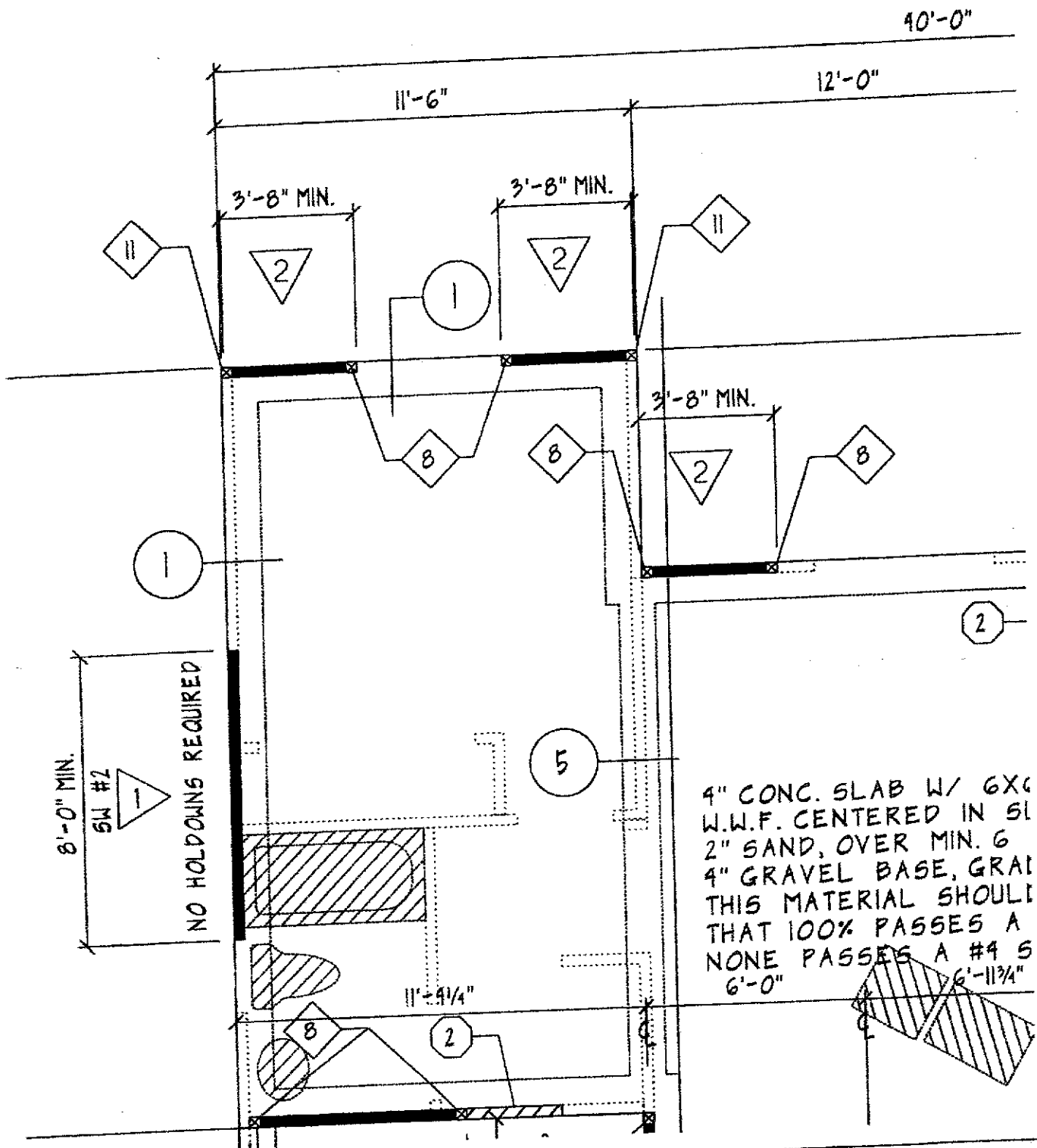
PLAN 3

NORMAN SCHEEL
STRUCTURAL ENGINEER
5022 SUNRISE BLVD
FAIR OAKS, CA 95628
VOICE (916) 536-9585

PROJECT _____
CLIENT _____
JOB NO. _____
PROJECT MGR. _____
DATE _____
PAGE _____ OF _____



PLAN ADDENDUM



4" CONC. SLAB W/ 6X6
W.W.F. CENTERED IN 2"
SAND, OVER MIN. 4"
GRAVEL BASE, GRAVEL
THIS MATERIAL SHOULD
THAT 100% PASSES A
#4 S 6'-0"

NO HOLDINGS REQUIRED

8'-0" MIN.
SW #2

11'-9 1/4"

6'-11 3/4"

PLAN 3

NORMAN SCHEEL
STRUCTURAL ENGINEER
5022 SUNRISE BLVD
FAIR OAKS, CA 95628
VOICE (916) 536-9585
FAX (916) 536-0260

PROJECT _____
CLIENT _____
JOB NO. _____
PROJECT MGR. _____
DATE _____
PAGE _____ OF _____





WALLACE • KUHL & ASSOCIATES INC.
 GEOTECHNICAL ENGINEERING • CONSTRUCTION TESTING

3050 Industrial Blvd.
 PO Box 1137
 West Sacramento
 California 95691
 916-372-1434

DATE 5/17/01		JOB NO. 4290.10		WEATHER		TEMP. ° at ° at AM PM		
PROJECT Park View				Technician I <input type="checkbox"/>		Staff E/G <input type="checkbox"/>		
LOCATION Natoma				Technician II <input type="checkbox"/>		Project E/G <input type="checkbox"/>		
TYPE OF WORK Pull test				Technician III <input type="checkbox"/>		Senior E/G <input type="checkbox"/>		
Inside 50 mi. radius <input type="checkbox"/>		Outside 50 mi. radius <input type="checkbox"/>		Nuclear Densities <input type="checkbox"/>		Principal E/G <input type="checkbox"/>		
PERSONNEL		REG. HRS	OT HRS	TOTAL HRS	TRAVEL	ON JOB	VEHICLE	MILES
[Signature]							#8	

OBSERVATIONS: Performed pull test on 7/8" anchor bolts to 5,300 lbs of pressure.

lot # 7 - 1 each

lot # 26 - 1 each

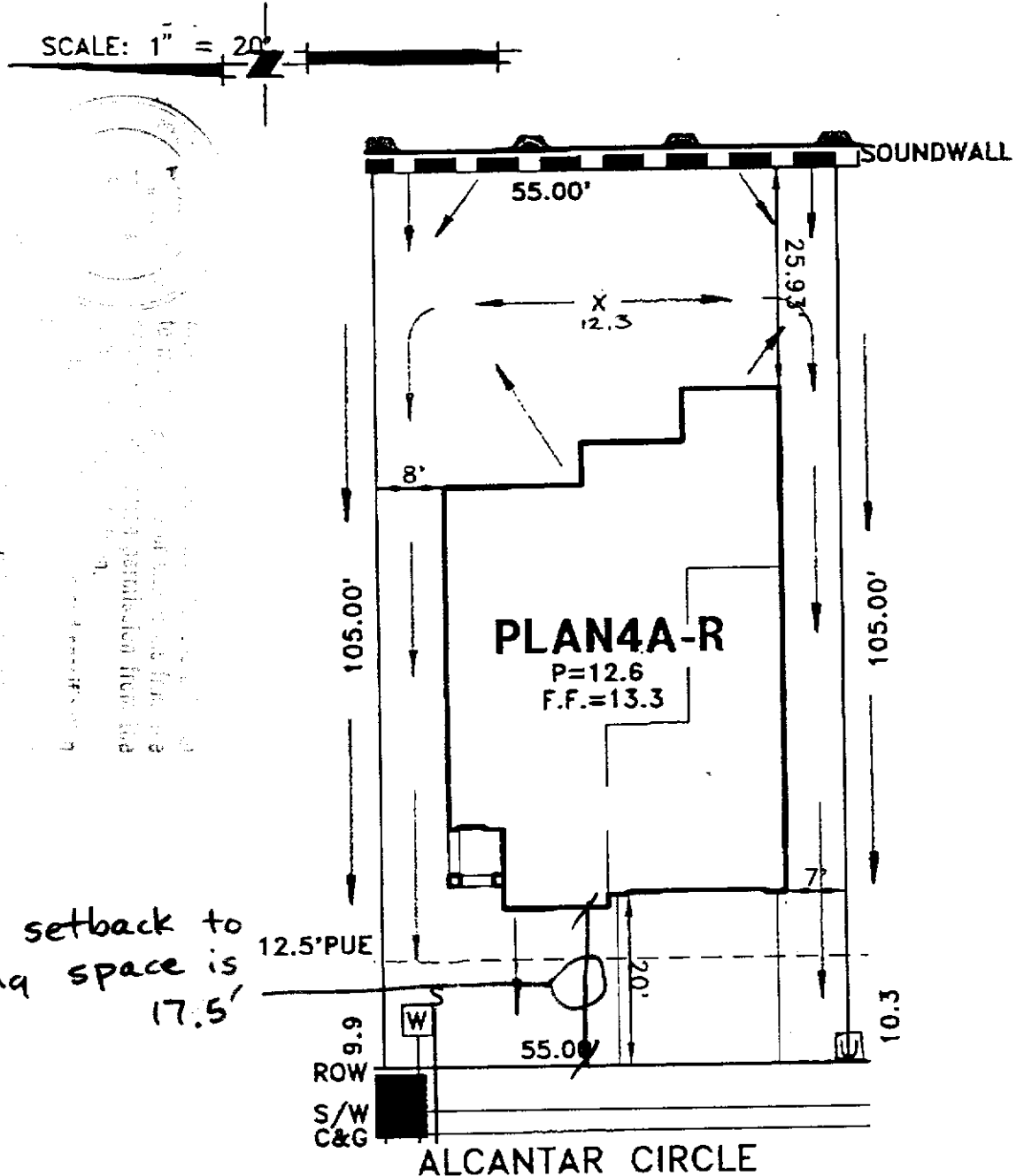
lot # 24 - 1 each

All passed

FIELD REPORT Signed [Signature]

THIS PLAN IS PREPARED TO SHOW THE DIMENSIONAL RELATIONSHIP FROM BUILDING FOUNDATION TO PROPERTY LINE, DESIGN DRAINAGE CONTROL ELEVATIONS, AND DIRECTION OF DRAINAGE FLOW TO CONFORM WITH LOCAL ORDINANCES FOR THE PURPOSE OF BUILDING PERMIT ISSUANCE. INFORMATION SHOWN IS APPROXIMATE EXCEPT FOR THOSE SETBACKS WHICH ARE MINIMUMS REQUIRED BY ORDINANCE. THIS PLOT DOES NOT REFLECT AS BUILT CONDITIONS WHICH WILL LIKELY VARY FROM THIS PLAN.

SCALE: 1" = 20'



min setback to living space is 17.5'

12.5' PUE

9.9' ROW
S/W C&G

ALCANTAR CIRCLE

PLOT PLAN
LOT 7
RIVERVIEW #2, UNIT 3A
FOR
D.R.HORTON INC.

SACRAMENTO CALIFORNIA
CIVIL ENGINEERING SURVEYING
MAPPING PLANNING
WOOD RODGERS INC.
9301 C STREET BUILDING 100B SACRAMENTO, CA 95816
TEL: 916/341-7760 FAX: 916/341-7167

DATE: FEB 2001	DRAWN: MJG	CHECKED: <i>[Signature]</i>	PROJECT NO: 1055.014
-------------------	---------------	--------------------------------	-------------------------

W - UTILITY SERVICE BOX

J:\JOBS\RIVERVIEW\DWG\CIVIL\LOT PLANS SAMPLER\3A-3B\3A-LOT07.DWG 02/28/01 11:09