

CITY OF SACRAMENTO
1231 I Street, Sacramento, CA 95814

Permit No: 0102691
Insp Area: 2

Site Address: 7516 WHITMORE ST SAC
Parcel No: LAGUNA V N 2 LOT 92 Housing (Y/N):

Sub-Type: NSFR
N

CONTRACTOR
D R HORTON INC
10 BLUE RAVINE RD STE 209
COLSON CA 95630

OWNER

ARCHITECT

Nature of Work: MP 1591 2 STORY 7 ROOM SFR

CONSTRUCTION LENDING AGENCY: I hereby affirm under penalty of perjury that there is a construction lending agency for the performance of the work for which this permit is issued (Sec. 3097.1(b)(1)).

Lender's Name _____ Lender's Address _____

LICENSED CONTRACTORS DECLARATION: I hereby affirm under penalty of perjury that I am licensed under provisions of Chapter 9 commencing with section 7000 of Division 3 of the Business and Professions Code and my license is in full force and effect.

License Class B License Number 750192 Date 3/14/01 Contractor Signature N. Collins

OWNER-BUILDER DECLARATION: I hereby affirm under penalty of perjury that I am exempt from the contractors License Law for the following reason (Sec. 7031.5, Business and Professions Code, any city or county which requires a permit to construct, alter, improve, demolish, or repair any structure, prior to its issuance, also requires the applicant for such permit to file a signed statement that he or she is licensed pursuant to the provisions of the Contractors License Law (Chapter 9 commencing with Section 7000) of Division 8 of the Business and Professions Code) or that he or she is exempt therefrom and the basis for the alleged exemption: Any violation of Section 7031.5 by any applicant for a permit subjects the applicant to a civil penalty of not more than five hundred dollars (\$500.00).

I, as a owner of the property, or my employees with wages as their sole compensation, will do the work, and the structure is not intended or offered for sale (Sec. 7044, Business and Professional Code). The Contractors License Law does not apply to an owner of property who builds or improves thereon, and who does such work himself or herself or through his/her own employees, provided that such improvements are not intended or offered for sale. If, however, the building or improvement is sold within one year of completion, the owner-builder will have the burden of proving that he/she did not build or improve for the purpose of sale.

I, as owner of the property, am exclusively contracting with licensed contractors to construct the project (Sec. 7044, Business and Professions Code). The Contractors License Law does not apply to an owner of property who builds or improves thereon, and who contracts for such projects with a contractor(s) licensed pursuant to the Contractors License Law.

I am exempt under Sec. _____ B & PC for this reason: _____

Date _____ Owner Signature _____

IN ISSUING THIS BUILDING PERMIT, the applicant represents, and the city relies on the representation of the applicant, that the applicant verified all measurements and locations shown on the application or accompanying drawings and that the improvement to be constructed does not violate any law or private agreement relating to permissible or prohibited locations for such improvements. This building permit does not authorize any illegal location of any improvement or the violation of any private agreement relating to location of improvements.

I certify that I have read this application and state that all information is correct. I agree to comply with all city and county ordinances and state laws relating to building construction and hereby authorize representative(s) of this city to enter upon the abovementioned property for inspection purposes.

Date 3/14/01 Applicant Agent Signature N. Collins

WORKER'S COMPENSATION DECLARATION: I hereby affirm under penalty of perjury one of the following declarations:

I have and will maintain a certificate of consent to self-insure for workers' compensation as provided for by Section 3700 of the Labor Code, for the performance of work for which the permit is issued.

I have and will maintain workers' compensation insurance, as required by Section 3700 of the Labor Code, for the performance of the work for which this permit is issued. My workers' compensation insurance carrier and policy number are

Carrier ARGONAUT INS CO Policy Number WC62600115505 Exp Date 07/01/2000

(This section need not be completed if the permit is for \$100 or less) I certify that in the performance of the work for which this permit is issued, I shall not employ any person in any manner so as to become subject to the workers' compensation laws of California and agree that if I should become subject to the workers' compensation provisions of Section 3700 of the Labor Code, I shall forthwith comply with those provisions.

Date 3/14/01 Applicant Signature N. Collins

WARNING - FAILURE TO SECURE WORKER'S COMPENSATION COVERAGE IS UNLAWFUL AND SHALL SUBJECT AN EMPLOYER TO CRIMINAL PENALTIES AND CIVIL FINES UP TO ONE HUNDRED THOUSAND DOLLARS (\$100,000) IN ADDITION TO THE COST OF COMPENSATION, DAMAGES AS PROVIDED FOR IN SECTION 3706 OF THE LABOR CODE, INTEREST AND ATTORNEY'S FEE.

THIS PERMIT SHALL EXPIRE BY LIMITATION IF WORK IS NOT COMMENCED WITHIN 180 DAYS.

RESIDENTIAL SUBDIVISION BUILDING PERMIT APPLICATION

Project Address: 7516 Whitmore Street
Lot Number: 92

Assessor Parcel # _____
Subdivision Laguna Vega North Village #2

OWNER INFORMATION:

Legal Property Owner: D.R. HORTON Phone# 965-2200
Owner Address: _____ City _____ State _____ Zip _____

CONTRACTOR INFORMATION:

Contractor: DR HORTON Lic. # 750190 Phone # 965-2200 Fax 956-22

PROJECT INFORMATION:

Land Use Zone RIA Occupancy Group R3 Construction Type VN Fed Code 1A
No. of Stories: 2 No. of Rooms: 7 Street Width: _____
1st Floor Area 716 2nd Floor Area 875 Basement _____ Roof Material _____
AREA IN SQUARE FOOT OF:
Dwelling/Living 1591
Garage/Storage 435
Decks/Balconies 72
Carports _____
SCOPE OF WORK: _____

FOR OFFICE USE ONLY

- Information Above Complete
- Violation Files Checked
- Standard Setbacks
- County Sewer
- AR Flood Waiver Required
- Flood Elevation Certificate Required
- Water Development Infill Area
- Planning Approval
- Design Review Approval
- Special Fee Districts Apply:

THE FOLLOWING MUST BE PROVIDED IN ORDER TO SUBMIT FOR PERMIT

- 2 COMPLETE PLOT PLANS, LEGIBLE & DRAWN TO SCALE
- 11 X 17 COPY OF FLOOR PLAN WITH FOLLOWING INFORMATION
 - a) Assessor's Parcel Number
 - b) New Floor Area
 - c) Owners Name
 - d) Project Address

OMEGA PRODUCTS CORP.

DIAMOND WALL INSULATING STUCCO SYSTEM

JOB ADDRESS:

7516 Whitmore St.
Elk Grove CA

ICBO Report #4004

Date of Job Completion 7-23-01

PLASTERING CONTRACTOR:

Name: - STUCCO WORKS INC.

Address: 5900 WAREHOUSE WAY, SACRAMENTO, CALIFORNIA 95826

Telephone No: (916) 383-6699

Contractor Number of Diamond Wall System 2175

This is to certify that the exterior coating system on the building exterior at the above address has been installed in accordance with the evaluation report specified above and the manufacturer's instructions.

7-23-01
Date

[Signature]
Signature of authorized representative of
Plastering Contractor

This installation card must be presented to the building inspector after completion of work and before final inspection.

CERTIFICATION OF INSULATION

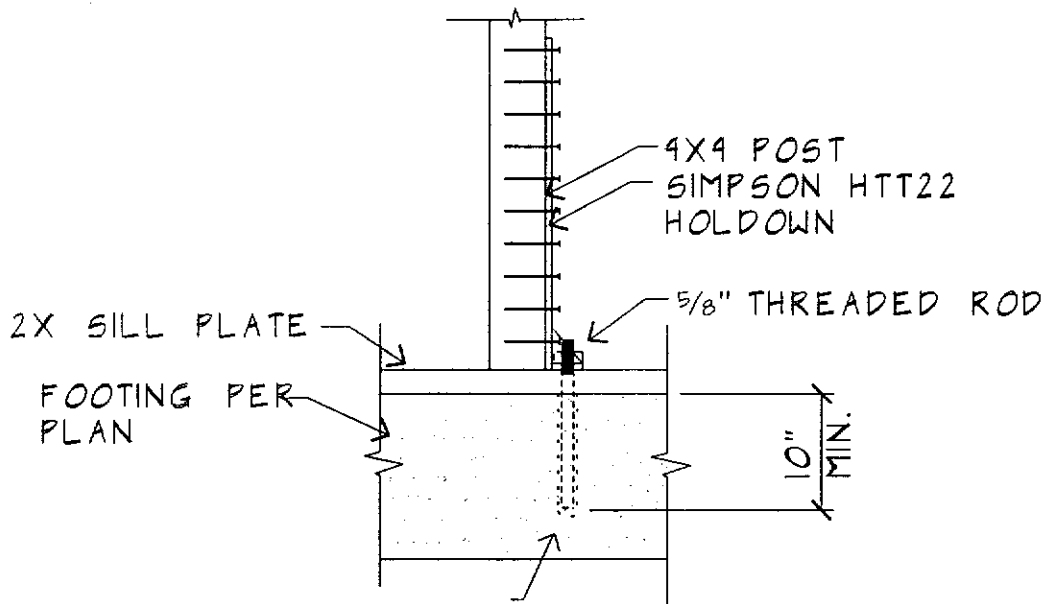
<p>ADDRESS OR TRACT</p> <p style="font-size: 24pt; font-family: cursive;">D.R. HORTON</p> <p style="font-size: 24pt; font-family: cursive;">LABUNA VEGA</p> <p style="font-size: 24pt; font-family: cursive;">LOT # 92</p>	<p style="text-align: center;">SACRAMENTO INSULATION CONTRACTORS</p> <p><input checked="" type="checkbox"/> P.O. BOX 854, WEST SACRAMENTO, CA 95691 LIC. #202026</p> <p><input type="checkbox"/> 1309 MELODY ROAD, MARYSVILLE, CA 95901 LIC. #202026</p> <p><input type="checkbox"/> P.O. BOX 9651, FRESNO, CA 93793-9651 LIC. #202026</p> <p><input type="checkbox"/> P.O. BOX 1631, RENO, NV 89505 LIC. #10675</p> <p><input type="checkbox"/> 3326 A PONDEROSA WAY, LAS VEGAS, NV 89118 LIC. #10675</p> <p>DATE INSULATION COMPLETED</p>
---	--

WALLS		CEILINGS			FLOORS	
SQUARE FEET)		SQUARE FEET)			SQUARE FEET)	
TYPE OF INSULATION		TYPE OF INSULATION			TYPE OF INSULATION	
MATERIAL FIBERGLASS		MATERIAL FIBERGLASS			MATERIAL FIBERGLASS	
FORM BATTS		FORM BATTS & BLOW			FORM BATTS	
MANUFACTURER'S PRODUCT I.D.		MANUFACTURER'S PRODUCT I.D.			MANUFACTURER'S PRODUCT I.D.	
MANUFACTURER		MANUFACTURER			MANUFACTURER	
OCF		OCF			OCF	
		BAGS				
R-VALUE INSTALLED	APPLIED THICKNESS	R-VALUE INSTALLED	APPLIED THICKNESS	MIN. INSTALLED WEIGHT PER SQUARE FOOT	R-VALUE INSTALLED	APPLIED THICKNESS
13 19	3 1/8" 5 1/2"	30 30	9" 12"			
KNEE WALLS IF R-VALUE IS OTHER THAN WALLS ABOVE						
MATERIAL FIBERGLASS		FORM BATTS		R VALUE	MANUFACTURER OCF	
AIR INFILTRATION SEALANT						
MATERIAL FOAM				MANUFACTURER W R GRACE		

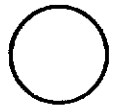
THIS IS TO CERTIFY THAT INSULATION AND/OR SEALANT HAS BEEN INSTALLED IN CONFORMANCE WITH APPLICABLE CODES, MATERIAL STANDARDS AND REGULATIONS.

SIGNATURE - INSULATION CONTRACTOR <i>Bill Harkley</i>	TITLE MANAGER	DATE 7-18-01
SIGNATURE - GENERAL CONTRACTOR	TITLE	DATE
REMARKS		

PLAN ADDENDUM



DRILLED 3/4" ϕ HOLE AND EPOXY
WITH SIMPSON SET EPOXY SYSTEM
PER MANUFACTURES SPECIFICATIONS



HTT22 HOLDOWN REPAIR DETAIL WITH EPOXY SYSTEM

STHD EPOXY REPAIR

ERMAN SCHEEL
STRUCTURAL ENGINEER
6939 SUNRISE BLVD SUITE 123
CITRUS HEIGHTS, CA 95610
VOICE (916) 726-0612
FAX (916) 726-3189

PROJECT LAGUNA UEGA
CLIENT DE HORTON
JOB NO. 99406
PROJECT MGR. ROB
DATE. 6/8/00
PAGE 2 OF 2



WALLACE • KUHL & ASSOCIATES INC.
 GEOTECHNICAL ENGINEERING • CONSTRUCTION TESTING

3050 Industrial Blvd.
 PO Box 1137
 West Sacramento
 California 95691
 916-372-1434

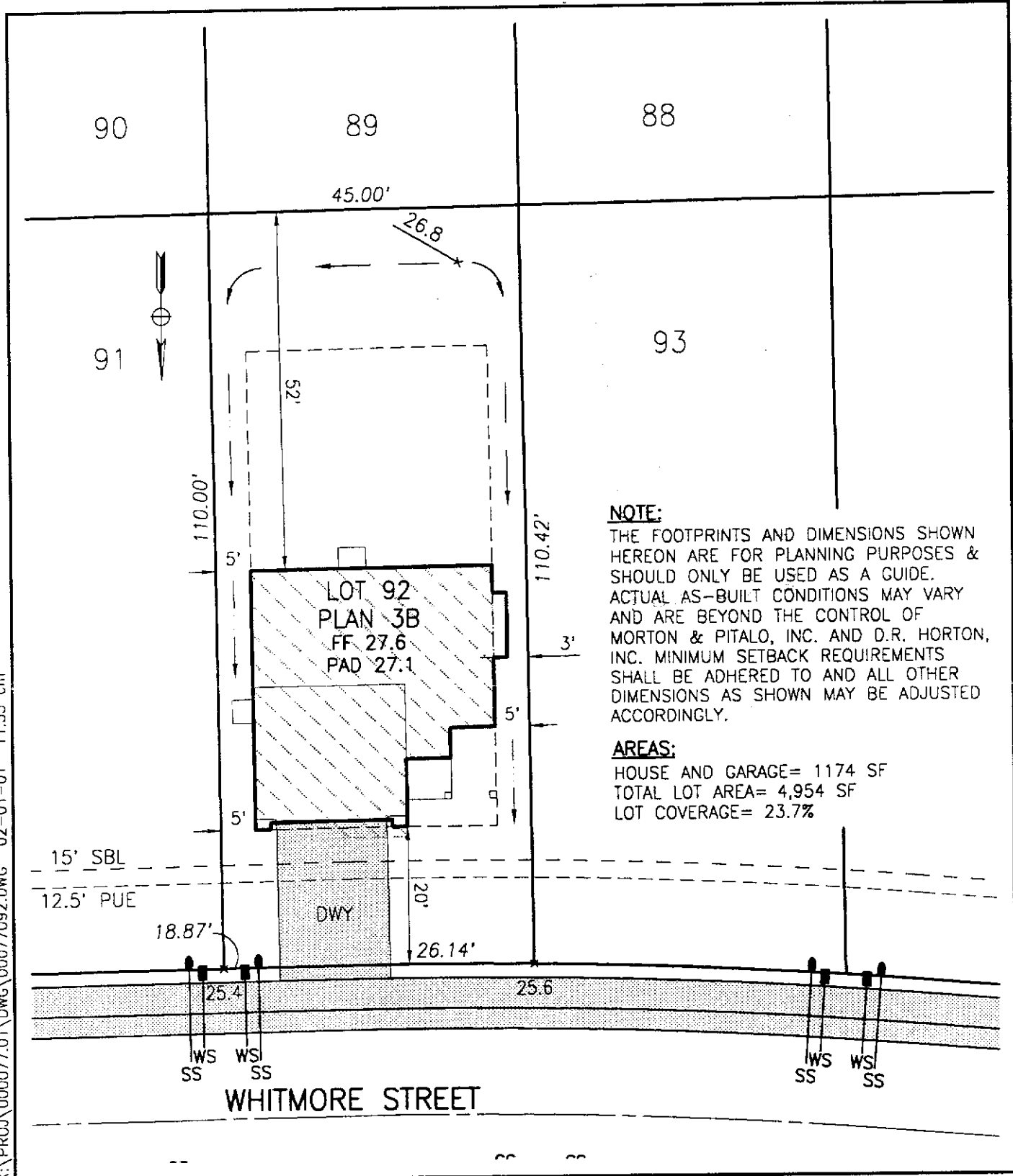
DATE	6/14/01			JOB NO.	2850.03			WEATHER			TEMP.	° at	AM
PROJECT								Technician I	<input type="checkbox"/>	Staff E/G	<input type="checkbox"/>		
LOCATION								Technician II	<input type="checkbox"/>	Project E/G	<input type="checkbox"/>		
TYPE OF WORK	Pull test							Technician III	<input type="checkbox"/>	Senior E/G	<input type="checkbox"/>		
Inside 50 mi. radius	<input type="checkbox"/>	Outside 50 mi. radius					<input type="checkbox"/>	Nuclear Densities	<input type="checkbox"/>	Principal E/G	<input type="checkbox"/>		
PERSONNEL	REG. HRS	OT HRS	TOTAL HRS	TRAVEL	ON JOB	VEHICLE		MILES					
DB						# 8							

OBSERVATIONS: Performed pull test on three 5/8" anchor bolts in lot #92. All passed to 5,800 lbs of pressure

FIELD REPORT

Signed _____

X:\PROJ\000077.01\DWG\00077092.DWG 02-01-01 11:35 am



NOTE:
 THE FOOTPRINTS AND DIMENSIONS SHOWN HEREON ARE FOR PLANNING PURPOSES & SHOULD ONLY BE USED AS A GUIDE. ACTUAL AS-BUILT CONDITIONS MAY VARY AND ARE BEYOND THE CONTROL OF MORTON & PITALO, INC. AND D.R. HORTON, INC. MINIMUM SETBACK REQUIREMENTS SHALL BE ADHERED TO AND ALL OTHER DIMENSIONS AS SHOWN MAY BE ADJUSTED ACCORDINGLY.

AREAS:
 HOUSE AND GARAGE= 1174 SF
 TOTAL LOT AREA= 4,954 SF
 LOT COVERAGE= 23.7%

mmp **MORTON & PITALO, INC.**
 CIVIL ENGINEERING • PLANNING • SURVEYING
 1766 TRIBUTE ROAD • SUITE 200 • SACRAMENTO, CA 95815
 PHONE: 916/927-2400 • FAX: 916/567-0120

PLOT PLAN
LAGUNA VEGA NORTH
VILLAGE 2
LOT 92
 SACRAMENTO, CALIFORNIA

DRAWN:	GBH	JOB NO:	000077.01
CHECKED:	GBH	DATE:	FEB 2001
SCALE:	1"=20'	SHEET:	1 of 1