

LAND USE & ZONING MAP

EXHIBIT A

SERVICE YARD

UTIL. BLDG.

EXISTING BUILDING

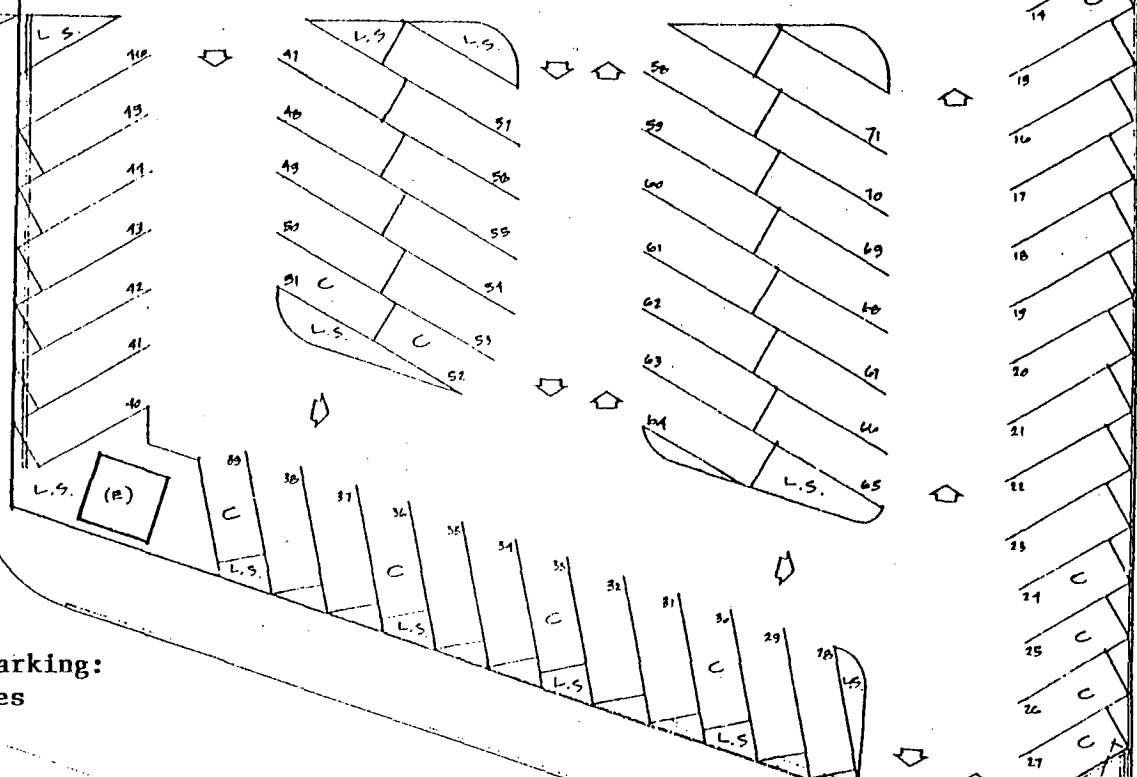
17,245 SQ. FT.

100'

COVERED LOGGIA

51st STREET

EXISTING PARKING LOT RESTRICTED



Total Parking:
74 Spaces

296-032

FOLSOM BLVD
APRIL 9, 1996

ITEM 3

296-032

APRIL 9, 1996

ITEM 3

296-032

APRIL 9, 1996

ITEM 3

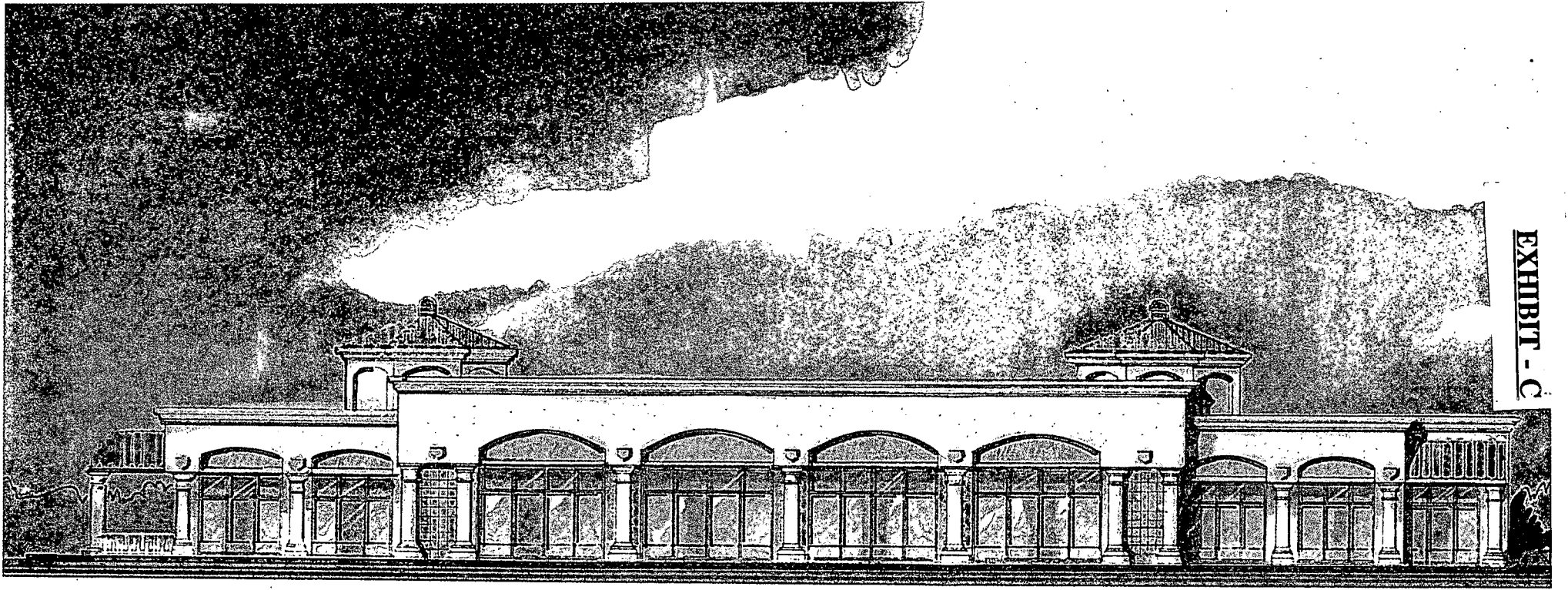
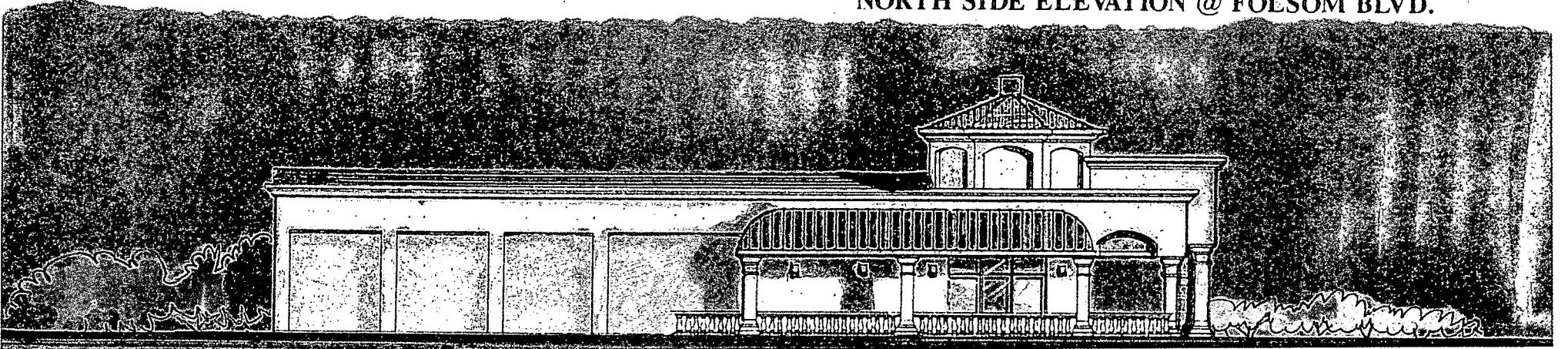


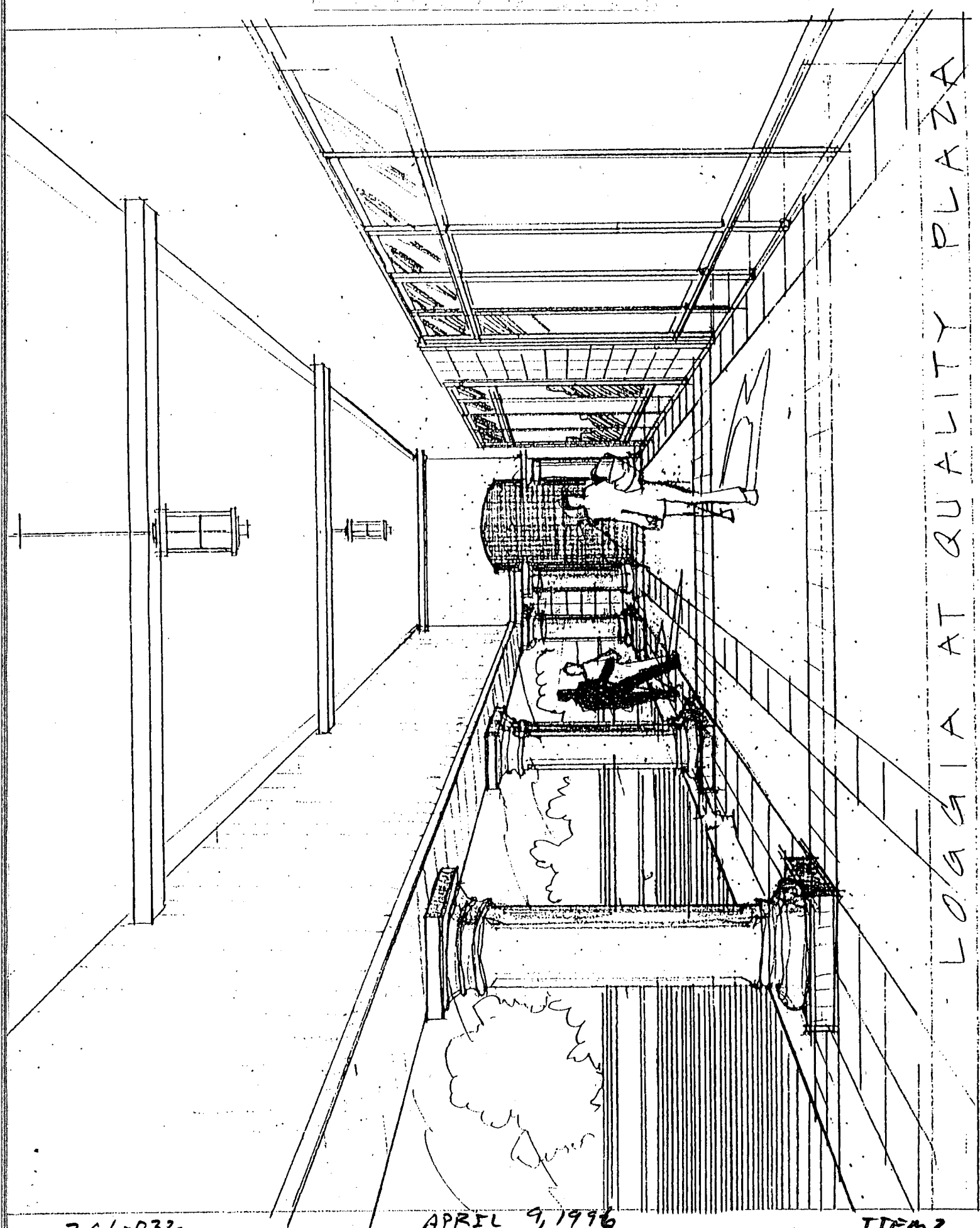
EXHIBIT - C

NORTH SIDE ELEVATION @ FOLSOM BLVD.



EAST SIDE ELEVATION @ 51st STREET

EXHIBIT D



LOGGIA AT QUALITY PLAZA

296-032

APRIL 9, 1996

ITEM 3