

CITY OF SACRAMENTO
1231 I Street, Sacramento, CA 95814

Permit No: 0014406
Insp Area: 2

Site Address: 1266 43RD AV SAC
Parcel No: 024-0253-002

Sub-Type: RES
Housing (Y/N): N

CONTRACTOR
VALLEY CONTRACTOR
PO BOX 245433
SACRAMENTO CA 95824

OWNER
AVALOS JOHN J/LINDA A
1266 43RD AV
SACRAMENTO CA 95822

ARCHITECT

Nature of Work: INSTALL MASONRY FIREPLACE TO EXISTING HOUSE

CONSTRUCTION LENDING AGENCY: I hereby affirm under penalty of perjury that there is a construction lending agency for the performance of the work for which this permit is issued (Sec. 3097, Civ. C.)

Lender's Name _____ Lender's Address _____

LICENSED CONTRACTORS DECLARATION: I hereby affirm under penalty of perjury that I am licensed under provisions of Chapter 9 (commencing with section 7000) of Division 3 of the Business and Professions Code and my license is in full force and effect.

License Class 22A License Number 374925 Date 12/5/14 Contractor Signature [Signature]

OWNER-BUILDER DECLARATION: I hereby affirm under penalty of perjury that I am exempt from the contractors License Law for the following reason (Sec. 7031.5, Business and Professions Code; any city or county which requires a permit to construct, alter, improve, demolish, or repair any structure, prior to its issuance, also requires the applicant for such permit to file a signed statement that he or she is licensed pursuant to the provisions of the Contractors License Law (Chapter 9 (commencing with Section 7000) of Division 8 of the Business and Professions Code) or that he or she is exempt therefrom and the basis for the alleged exemption. Any violation of Section 7031.5 by any applicant for a permit subjects the applicant to a civil penalty of not more than five hundred dollars (\$500.00);

I, as a owner of the property, or my employees with wages as their sole compensation, will do the work, and the structure is not intended or offered for sale (Sec. 7044, Business and Professional Code: The Contractors License Law does not apply to an owner of property who builds or improves thereon, and who does such work himself or herself or through his/her own employees, provided that such improvements are not intended or offered for sale. If, however, the building or improvement is sold within one year of completion, the owner-builder will have the burden of proving that he/she did not build or improve for the purpose of sale.)

I, as owner of the property, am exclusively contracting with licensed contractors to construct the project (Sec. 7044, Business and Professions Code: The Contractors License Law does not apply to an owner of property who builds or improves thereon, and who contracts for such projects with a contractor(s) licensed pursuant to the Contractors License Law).

I am exempt under Sec. _____ B & PC for this reason: _____

Date _____ Owner Signature _____

IN ISSUING THIS BUILDING PERMIT, the applicant represents, and the city relies on the representation of the applicant, that the applicant verified all measurements and locations shown on the application or accompanying drawings and that the improvement to be constructed does not violate any law or private agreement relating to permissible or prohibited locations for such improvements. This building permit does not authorize any illegal location of any improvement or the violation of any private agreement relating to location of improvements.

I certify that I have read this application and state that all information is correct. I agree to comply with all city and county ordinances and state laws relating to building construction and hereby authorize representative(s) of this city to enter upon the abovementioned property for inspection purposes.

Date 12/5/14 Applicant/Agent Signature [Signature]

WORKER'S COMPENSATION DECLARATION: I hereby affirm under penalty of perjury one of the following declarations.

I have and will maintain a certificate of consent to self-insure for workers' compensation as provided for by Section 3700 of the Labor Code, for the performance of work for which the permit is issued.

I have and will maintain workers' compensation insurance, as required by Section 3700 of the Labor Code, for the performance of the work for which this permit is issued. My workers' compensation insurance carrier and policy number are:

Carrier _____ Policy Number _____ Exp Date _____

(This section need not be completed if the permit is for \$100 or less) I certify that in the performance of the work for which this permit is issued, I shall not employ any person in any manner so as to become subject to the workers' compensation laws of California and agree that if I should become subject to the workers' compensation provisions of Section 3700 of the Labor Code, I shall forthwith comply with those provisions.

Date 12/5/14 Applicant Signature [Signature]

WARNING: FAILURE TO SECURE WORKER'S COMPENSATION COVERAGE IS UNLAWFUL AND SHALL SUBJECT AN EMPLOYER TO CRIMINAL PENALTIES AND CIVIL FINES UP TO ONE HUNDRED THOUSAND DOLLARS (\$100,000) IN ADDITION TO THE COST OF COMPENSATION. DAMAGES AS PROVIDED FOR IN SECTION 3706 OF THE LABOR CODE, INTEREST AND ATTORNEY'S FEE.

THIS PERMIT SHALL EXPIRE BY LIMITATION IF WORK IS NOT COMMENCED WITHIN 180 DAYS.

Date of Request: _____

By: _____

CITY OF SACRAMENTO DEVELOPMENT SERVICES DIVISION
PLANNING AND ZONING INFORMATION REQUEST

Project Address: 1266 4th Ave

Assessor's Parcel Number: 02A - 0253 - 002

Previous Use: EXISTING RESIDENCE

Description of Request/Proposed Use: Install masonry fireplace

Is This a Change of Use? NO

Prior Applications for Project Site(P#, Z#, DRPB#): EA 826 Zoning Designation: R-1

Comments: as shown on back (sketch), should not encroach into setback area; min 5' side yard setback, 15' rear

Are There Any Planning Issues?: (circle one) YES NO

* Staff Site Plan Check Required? (Circle one) YES NO

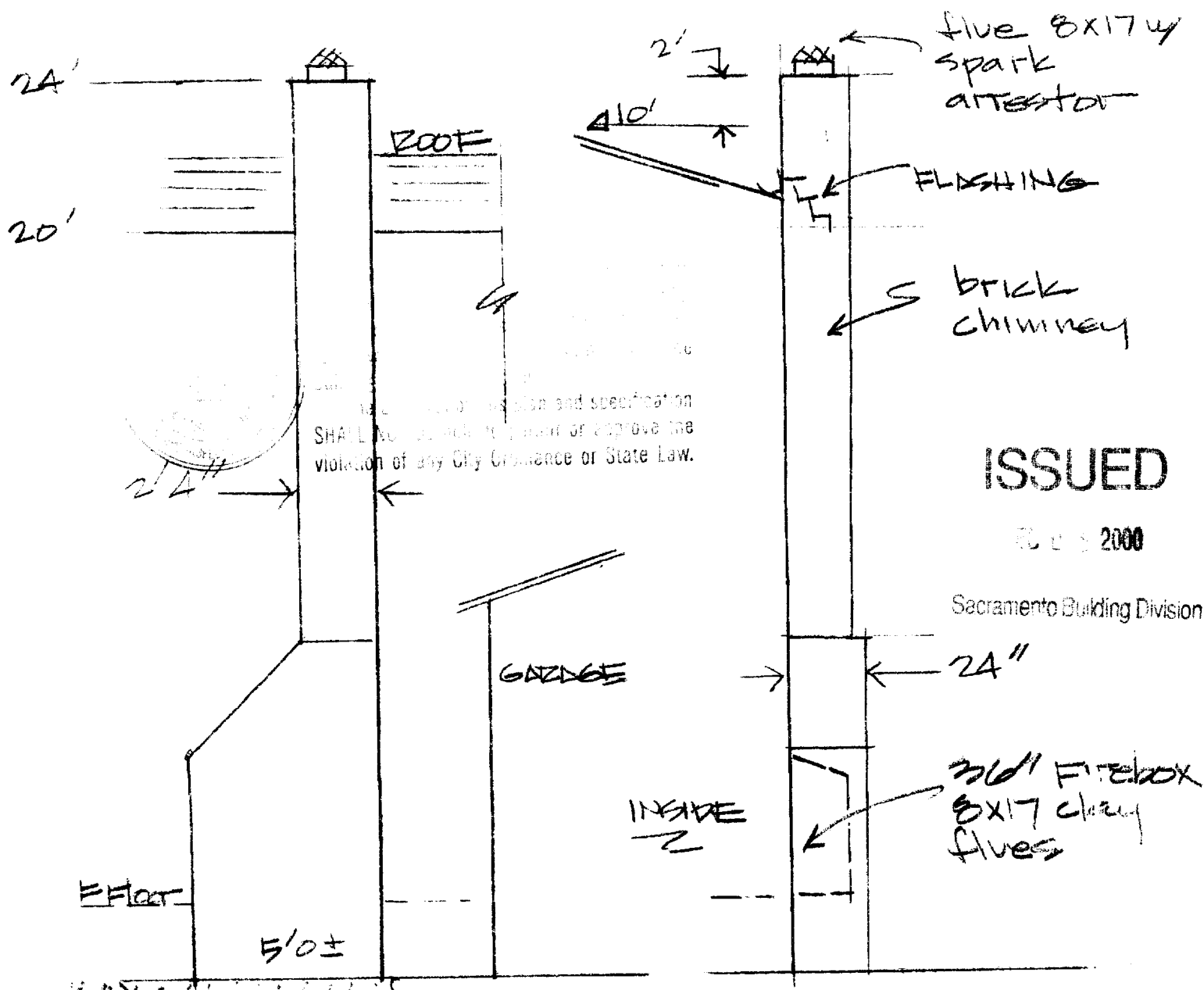
* Field Inspection Required? (Circle one) YES NO

* Design Review/Preservation Required?: (Circle one) YES NO

Planning Review by/Date: PHIL REED 12/5/00

A list of items that must be reviewed by Planning is provided on the reverse side of this form.

MICROFILM AFTER FINAL



ALL work shall conform to the code and specification
 SHALL be subject to the review or approval of the
 violation of any City Ordinance or State Law.

ISSUED

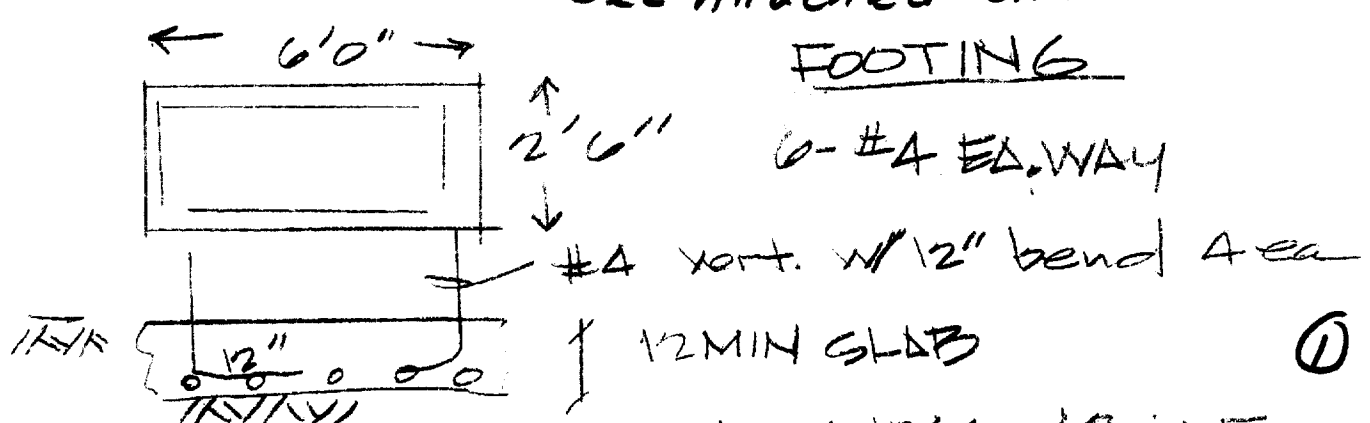
File # 2000

Sacramento Building Division

ELEVATION 1/4" = 1'0"

See Attached Sheet #3

FOOTING

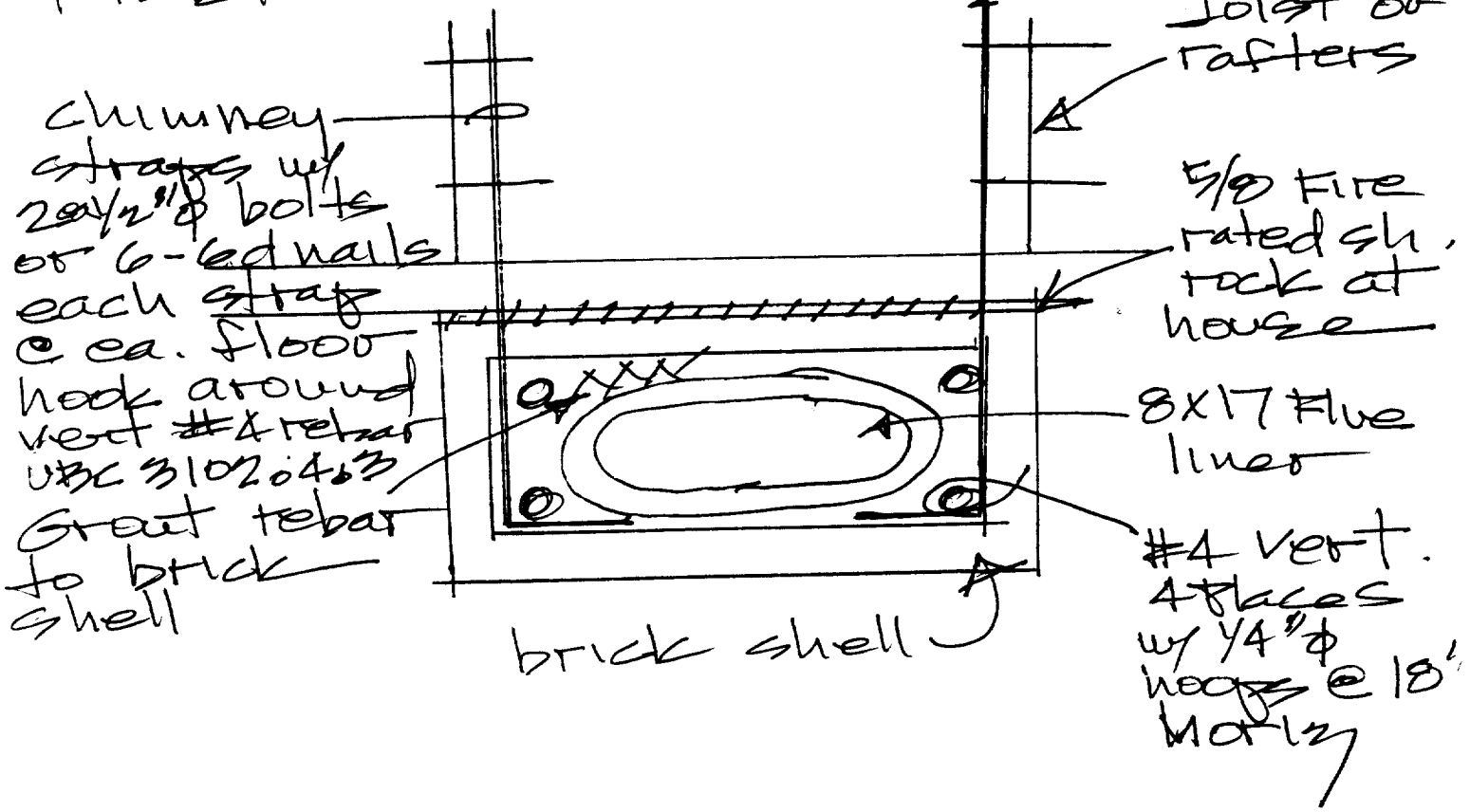


Bryon Nakashima

JOB: 1266 43 DVE
 SACRAMENTO

12/1/0

FIREPLACE DETAIL



Chimney straps w/ 2x1/2" ϕ bolts or 6-g nails each strap @ ea. floor hook around vert #4 rebar UBC 3102.4.3 Great rebar to brick shell

Joist or rafters

5/8 Fire rated sh. rock at house

8x17 flue liner

#4 vert. 4 places w/ 1/4" ϕ hooks @ 18" Max

brick shell



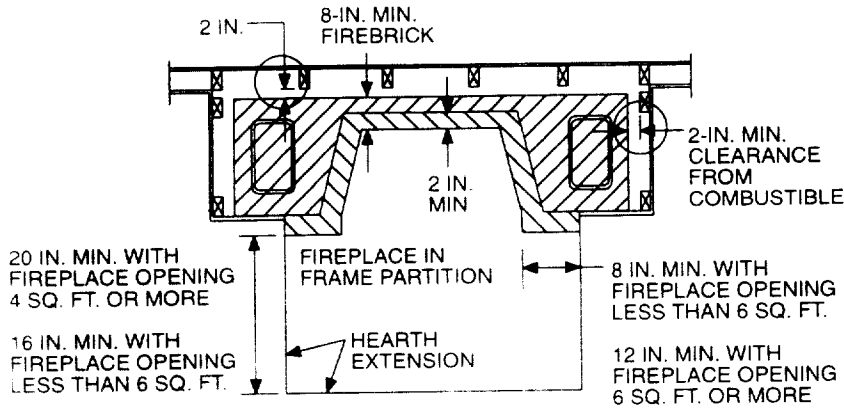
This set of plans and specifications must be kept on the job at all times and it is unlawful to make any changes or alterations from the same without the written permission from the Building Department.

The contractor, in view of his plan and specification, shall be held to build, or approve the building of, in accordance with the City or State Law.

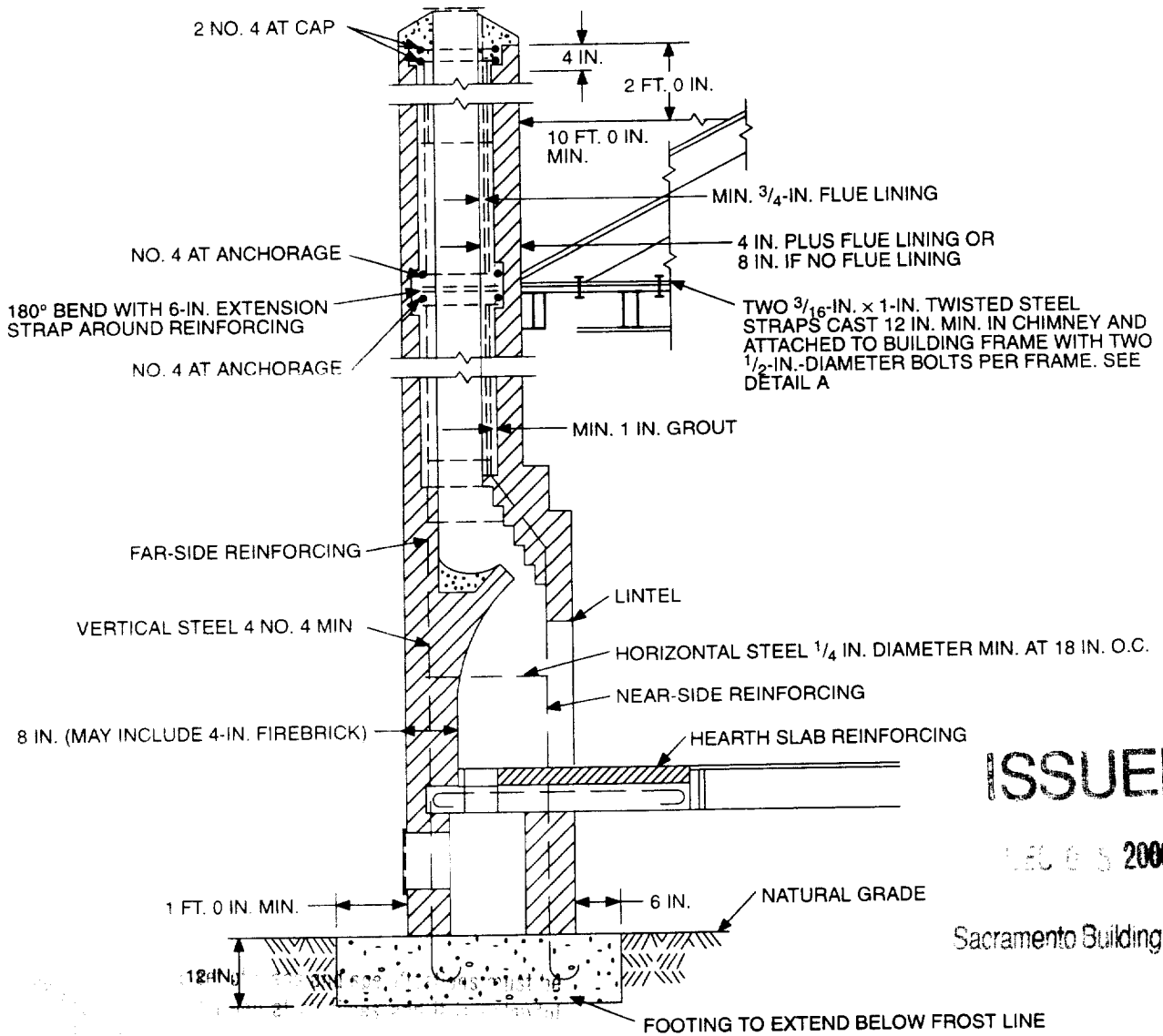
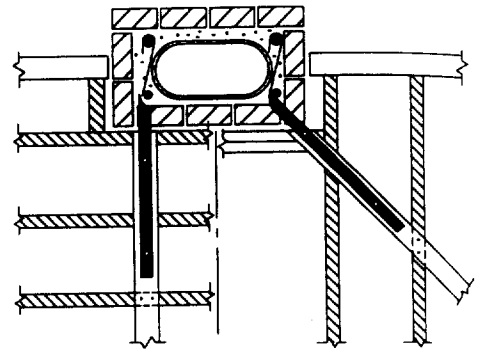
ISSUED

SEP 15 2000

Sacramento Building Division



PLAN



CROSS SECTION

For SI: 1 inch = 25.4 mm, 1 foot = 304.8 mm, 1 square foot = 0.0929 m²

FIREPLACE DETAILS

FIGURE 3102-3

ISSUED

REVISION 2000

Sacramento Building Division

3