

CITY OF SACRAMENTO

Permit No: 9803178

1231 I Street, Sacramento, CA 95814

Insp Area: 4

Site Address: 440 HAGGIN AV SAC

Sub-Type: COM

Parcel No: 2620172009

Housing (Y/N): N

CONTRACTOR

OWNER

ARCHITECT

NORTHGATE CHURCH OF GOD IN CHRIST
440 HAGGIN AV
SACRAMENTO CA 95833

Nature of Work: INSTALL TWO 25' POLE LIGHTS IN REAR PARKING AREA

CONSTRUCTION LENDING AGENCY : I hereby affirm under penalty of perjury that there is a construction lending agency for the performance of the work for which this permit is issued (Sec. 3097, Civ. C).

Lender's Name _____ Lender's Address _____

LICENSED CONTRACTORS DECLARATION: I hereby affirm under penalty of perjury that I am licensed under provisions of Chapter 9 (commencing with section 7000) of Division 3 of the Business and Professions Code and my license is in full force and effect.

License Class _____ License Number _____ Date _____ Contractor Signature _____

OWNER-BUILDER DECLARATION: I hereby affirm under penalty of perjury that I am exempt from the contractors License Law for the following reason (Sec. 7031.5, Business and Professions Code; any city or county which requires a permit to construct, alter, improve, demolish, or repair any structure, prior to its issuance, also requires the applicant for such permit to file a signed statement that he or she is licensed pursuant to the provisions of the Contractors License Law (Chapter 9 (commencing with Section 7000) of Division 8 of the Business and Professions Code) or that he or she is exempt therefrom and the basis for the alleged exemption. Any violation of Section 7031.5 by any applicant for a permit subjects the applicant to a civil penalty of not more than five hundred dollars (\$500.00);

I, as a owner of the property, or my employees with wages as their sole compensation, will do the work, and the structure is not intended or offered for sale (Sec. 7044, Business and Professional Code: The Contractors License Law does not apply to an owner of property who builds or improves thereon, and who does such work himself or herself or through his/her own employees, provided that such improvements are not intended or offered for sale. If, however, the building or improvement is sold within one year of completion, the owner-builder will have the burden of proving that he/she did not build or improve for the purpose of sale.)

I, as owner of the property, am exclusively contracting with licensed contractors to construct the project (Sec. 7044, Business and Professions Code: The Contractors License Law does not apply to an owner of property who builds or improves thereon, and who contracts for such projects with a contractor(s) licensed pursuant to the Contractors License Law).

I am exempt under Sec. _____ B & PC for this reason: _____

Date 7/10/99 Owner Signature Rev. James D. Haggerty

IN ISSUING THIS BUILDING PERMIT, the applicant represents, and the city relies on the representation of the applicant, that the applicant verified all measurements and locations shown on the application or accompanying drawings and that the improvement to be constructed does not violate any law or private agreement relating to permissible or prohibited locations for such improvements. This building permit does not authorize any illegal location of any improvement or the violation of any private agreement relating to location of improvements.

I certify that I have read this application and state that all information is correct. I agree to comply with all city and county ordinances and state laws relating to building construction and hereby authorize representative(s) of this city to enter upon the abovementioned property for inspection purposes.

Date 7/10/99 Applicant/Agent Signature Rev. James D. Haggerty

WORKER'S COMPENSATION DECLARATION: I hereby affirm under penalty of perjury one of the following declarations:

I have and will maintain a certificate of consent to self-insure for workers' compensation as provided for by Section 3700 of the Labor Code, for the performance of work for which the permit is issued.

I have and will maintain workers' compensation insurance, as required by Section 3700 of the Labor Code, for the performance of the work for which this permit is issued. My workers' compensation insurance carrier and policy number are:

Carrier _____ Policy Number _____ Exp Date _____

(This section need not be completed if the permit is for \$100 or less) I certify that in the performance of the work for which this permit is issued, I shall not employ any person in any manner so as to become subject to the workers' compensation laws of California and agree that if I should become subject to the workers' compensation provisions of Section 3700 of the Labor Code, I shall forthwith comply with those provisions.

Date 7/10/99 Applicant Signature Rev. James D. Haggerty

WARNING: FAILURE TO SECURE WORKER'S COMPENSATION COVERAGE IS UNLAWFUL AND SHALL SUBJECT AN EMPLOYER TO CRIMINAL PENALTIES AND CIVIL FINES UP TO ONE HUNDRED THOUSAND DOLLARS (\$100,000) IN ADDITION TO THE COST OF COMPENSATION, DAMAGES AS PROVIDED FOR IN SECTION 3706 OF THE LABOR CODE, INTEREST AND ATTORNEY'S FEE.

THIS PERMIT SHALL EXPIRE BY LIMITATION IF WORK IS NOT COMMENCED WITHIN 180 DAYS.

APPLICATION FOR ██████████ BUILDING PERMIT

DEVELOPMENT SERVICES DIVISION
 PERMIT SERVICES SECTION

1231 I Street, Rm. 200
 Sacramento, CA 95814 (916) 264-7619 FAX 264-7046

PLAN CHECK # _____ Insp. Area _____

Applicant **MUST** complete ALL Unshaded areas this page only

ADDRESS 440 Haggin Suite _____
 PARCEL # _____

<p style="text-align: center;">CONTACT</p> <p>Name <u>REV. JAMES L. MOODY</u> Address <u>8795 FROSSES CT.</u> <u>SACRO</u> Zip <u>95828</u> Phone <u>(916) 681-8795</u> 643-6915</p>	<p style="text-align: center;">LICENSED CONTRACTOR Lic No. # _____</p> <p>Name _____ Address _____ Zip _____ Phone _____ FAX _____</p>
<p style="text-align: center;">ARCHITECT/ENGINEER <u>day</u></p> <p>Name _____ Address _____ Zip _____ Phone _____ FAX _____</p>	<p style="text-align: center;">OWNER ██████████</p> <p>Name <u>NORTHGATE CHURCH OF GOD IN CHRIST</u> Address <u>440 HAGGIN AVE</u> <u>SACRO, CA</u> Zip <u>95833</u> Phone <u>(916) 927-1332</u> FAX _____</p>

→ Will the permittee have any employees on the jobsite? Yes No

→ If yes, WORKER'S COMPENSATION POLICY # _____ EXPIRATION DATE: _____

NAME OF INSURANCE COMPANY: _____

NATURE OF WORK IN DETAIL (2) Pole bases & Light fixtures —
min. (4) #4 vertical bars, min (3) #3 bar hoops @ 2" on center
in top 5 1/2" of base, then #3 bar hoops @ min 12" on center
down to 3" clear at bottom.

DBA: _____ VALUATION: 3,500

FLOOD STATUS:				S.C.A.T. <input checked="" type="checkbox"/>						
JOB DESCRIPTION		BLDG	SHEL	APT	TI()	REM()	SW	FIRE	ADD	OTH
INSP. DISCIPLINES			BLDG	MECH	PLUMB	ELEC	SITE	FIRE		
# Stories	1st flr Area	Total Area	Use Zone	Occp Group	Const type	Fire Req. Y/N		Fed Code	Vio. File	
						Spr	Alarm			
B	L	P	M	E	F	S		D	R	
				<u>150A</u>		<u>13 wt</u>				

COMMENTS: Install (2) pole lights
site ok for original approval - lighting must
be set away from edj. residential
& pt. of way

REGIONAL SANITATION FEES? Yes No HEALTH DEPARTMENT? Yes No

BLDGFRM (REV 05/93) WATER FLOW TEST FOR NEW BLDGS OR ADDITIONS Yes No

OWNER-BUILDER VERIFICATION

ATTENTION PROPERTY OWNER

An owner-builder building permit has been applied for in your name and bearing your signature.

Please complete and return this information in the envelope provided at your earliest opportunity to avoid unnecessary delay in processing and issuing your building permit. No building permit will be issued until this verification is received.

1. I personally plan to provide the major labor and materials for construction of the proposed improvement (yes or no) _____

2. I (have have not) _____ signed an application for a building permit for the proposed work.

3. I have contracted with the following person (firm) to provide the proposed construction:

Name _____ Address _____

City _____ Telephone _____

Contractors License No. _____

4. I plan to provide portions of the work, but I have hired the following person to coordinate, supervise, and provide the major work.

Name _____ Address _____

City _____ Telephone _____

Contractors License No. _____

5. I will provide some of the work but I have contracted (hired) the following to provide the work indicated:

Name	Address	Phone	Type of Work
------	---------	-------	--------------

<i>Reginald Allen</i>			
-----------------------	--	--	--

<i>Hervey Johnson</i>			
-----------------------	--	--	--

<i>William R. Hodes</i>			
-------------------------	--	--	--

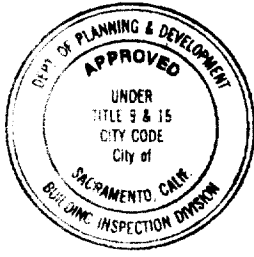
<i>William Hunt</i>			
---------------------	--	--	--

<i>Tony Robinson</i>			
----------------------	--	--	--

Signed *James J. Grady*

Job Address *440 Haggin Ave* Date *2/10/99*

Permit No.: _____



This set of plans and specifications must be kept on the job at all times and it is unlawful to make any changes or alterations from the same without written permission from the Building Inspection Division.

The approval of this plan and specification SHALL NOT be held to permit or approve the violation of any City Ordinance or State Law.

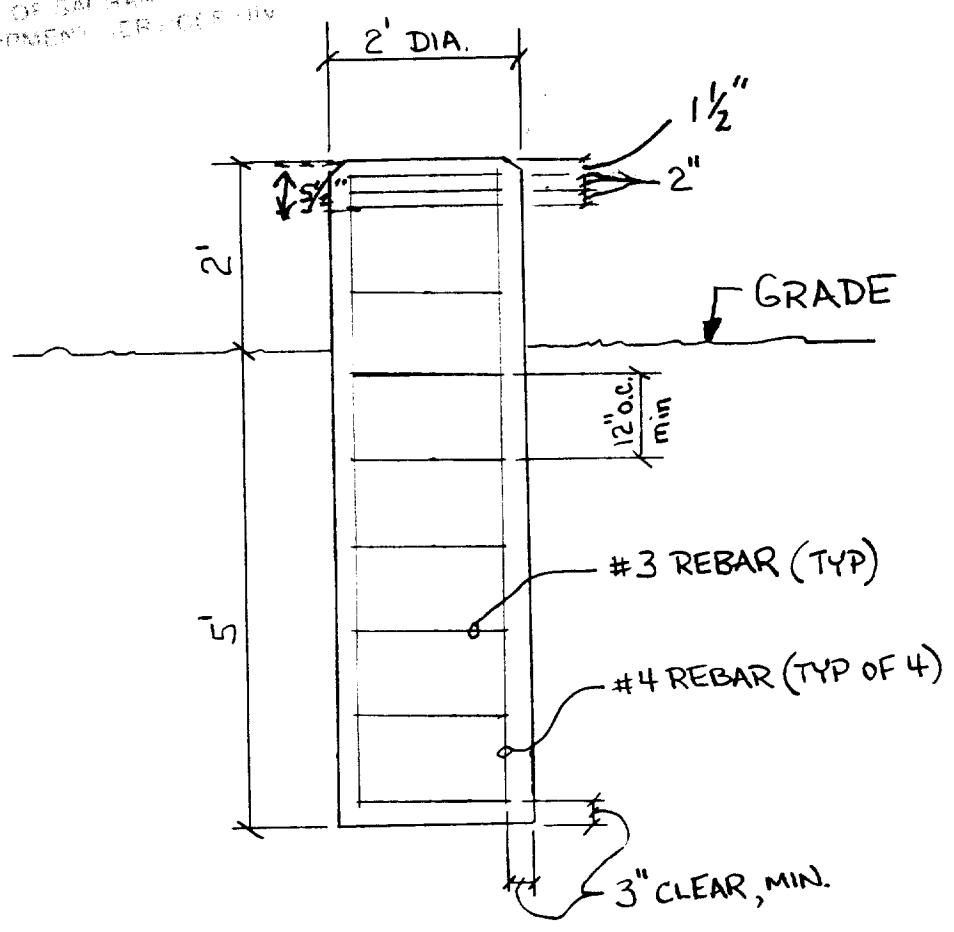
25' POLES

ISSUED

FEB 10 1999

CITY OF SACRAMENTO
DEVELOPMENT SERVICES DIV.

ANCHOR BOLTS PER
MANUFACTURES REQUIREMENTS



LIGHT POLE FOOTING