

CITY OF SACRAMENTO

Permit No: 9802447

1231 I Street, Sacramento, CA 95814

Insp Area: 2

Site Address: 5637 MACK RD SAC

Sub-Type: COM

Parcel No: 1180103001

Housing (Y/N): N

CONTRACTOR

INTERNATIONAL FIRE EQUIPMENT
133 OTTO CR
SACRAMENTO, CA 95822
Phone: 916-422-2250

OWNER

EVERGREEN CENTER ASSOCIATES
601
SACRAMENTO CA 95825
Phone:

ARCHITECT

Phone:

Nature of Work: INSTALL FIRE SPRINKLERS

CONSTRUCTION LENDING AGENCY : I hereby affirm under penalty of perjury that there is a construction lending agency for the performance of the work for which this permit is issued (Sec. 3097, Civ. C).

Lender's Name Lender's Address

LICENSED CONTRACTORS DECLARATION: I hereby affirm under penalty of perjury that I am licensed under provisions of Chapter 9 (commencing with section 7000) of Division 3 of the Business and Professions Code and my license is in full force and effect.

License Class C-16 License Number 253912 Date 3-26-98 Contractor Signature Greg R. McVey

OWNER-BUILDER DECLARATION: I hereby affirm under penalty of perjury that I am exempt from the contractors License Law for the following reason (Sec. 7031.5, Business and Professions Code; any city or county which requires a permit to construct, alter, improve, demolish, or repair any structure, prior to its issuance, also requires the applicant for such permit to file a signed statement that he or she is licensed pursuant to the provisions of the Contractors License Law (Chapter 9 (commencing with Section 7000) of Division 8 of the Business and Professions Code) or that he or she is exempt therefrom and the basis for the alleged exemption. Any violation of Section 7031.5 by any applicant for a permit subjects the applicant to a civil penalty of not more than five hundred dollars (\$500.00);

I, as a owner of the property, or my employees with wages as their sole compensation, will do the work, and the structure is not intended or offered for sale (Sec. 7044, Business and Professional Code: The Contractors Law does not apply to an owner of property who builds or improves thereon, and who does such work himself or herself or through his or her own employees, provided that such improvements are not intended or offered for sale. If, however, the building or improvement is sold within one year of completion, the owner-builder will have the burden of proving that he or she did not build or improve for the purpose of sale.)

I, as owner of the property, am exclusively contracting with licensed contractors to construct the project (Sec. 7044, Business and Professions Code: The contractors License Law does not apply to an owner of property who builds or improves thereon, and who contracts for such projects with a contractor(s) licensed pursuant to the Contractors License Law).

I am exempt under Sec. B & PC for this reason:

Date Owner Signature

IN ISSUING THIS BUILDING PERMIT, the applicant represents, and the city relies on the representation of the applicant, that the applicant verified all measurements and locations shown on the application or accompanying drawings and that the improvement to be constructed does not violate any law or private agreement relating to permissible or prohibited locations for such improvements. This building permit does not authorize any illegal location of any improvement or the violation of any private agreement relating to location of improvements.

Date 3-26-98 Applicant/Agent Signature Greg R. McVey

WORKER'S COMPENSATION DECLARATION: I hereby affirm under penalty of perjury one of the following declarations:

I have and will maintain a certificate of consent to self-insure for workers' compensation as provided for by Section 3700 of the Labor Code, for the performance of work for which the permit is issued.

GRX: I have and will maintain workers' compensation insurance, as required by Section 3700 of the Labor Code, for the performance of the work for which this permit is issued. My workers' compensation insurance carrier and policy number are:

Carrier State Fund Policy Number 692-97 in total 2140

(This section need not be completed if the permit is for \$100 or less) I certify that in the performance of the work for which this permit is issued, I shall not employ any person in any manner so as to become subject to the workers' compensation laws of California and agree that if I should become subject to the workers' compensation provisions of Section 3700 of the Labor Code, I shall forthwith comply with those provisions.

Date 3-26-98 Applicant Signature Greg R. McVey

WARNING: FAILURE TO SECURE WORKER'S COMPENSATION COVERAGE IS UNLAWFUL AND SHALL SUBJECT AN EMPLOYER TO CRIMINAL PENALTIES AND CIVIL FINES UP TO ONE HUNDRED THOUSAND DOLLARS (\$100,000) IN ADDITION TO THE COST OF COMPENSATION, DAMAGES AS PROVIDED FOR IN SECTION 3706 OF THE LABOR CODE, INTEREST AND ATTORNEY'S FEE.

THIS PERMIT SHALL EXPIRE BY LIMITATION IF WORK IS NOT COMMENCED WITHIN 180 DAYS.

MEMORANDUM

Sacramento Fire Department

To: BUILDING DEPARTMENT

Date: 11-20-98

From: Gordon Duncan,
Fire Marshal

Subject: **FIRE SYSTEM INSPECTION**

A final inspection of the newly installed fire system at:

5637 MACE Rd

has been conducted by Inspector K. Lee

on 4-23-98.

98-02447-C

Permit Number

N/A

Square Footage

Rz model OK SFR

Type Inspection

The system is acceptable by this department.

R Woodman

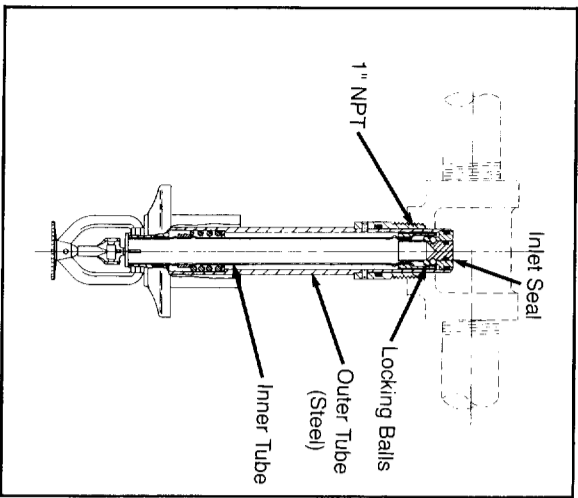
By: Ross L. Woodman,
Fire Prevention Officer II

TI-196

F. D. Reference Number

Plans sent to
microfilm

Operation: When the sprinkler has been fused, its operating parts spring away allowing the spring-loaded inner tube to move toward the sprinkler head releasing the locking balls. The inlet seal is now free to be expelled through the sprinkler head permitting an unobstructed flow of water.



| Sprinkler Type | Approvals |
|------------------------------------|------------|
| Model G3 Dry Pendant | 1, 2, 4, 5 |
| Model G3 Dry Pendant Metric | 6 |
| Model G3 Dry Horizontal Sidewall | 1, 4 |
| Model G3 Dry Pendant Recessed | 1, 3, 4, 5 |
| Model G3A Dry Pendant Concealed | 1, 4, 5 |
| (1) Model G3 Dry Pendant Concealed | 3 |

Approval Organizations

- Underwriters Laboratories Inc.—Ordinary Hazard
- Factory Mutual Research Corp.—Ordinary Hazard
- Factory Mutual Research Corp.—Light Hazard
- Underwriters Laboratories of Canada—Ordinary Hazard
- NYC BS&A No. 587-75-SA—Ordinary Hazard
- Loss Prevention Council—Ordinary Hazard (57°C & 74°C only)

Note: Listed and Approved Length 36" Max.

Technical Data:

Orifice: 1/2 (15mm)
 Thread Size: 1 NPT per ANSI B2.1 or
 R1 per ISO 7/1 (BS21.1973)
 when metric sprinkler specified.
 Working Pressure: 175 psi
 "K" Factor: Up to 18", 5.7
 19" to 36", 5.5

NOTE: Installation of Model G3 or G3A Sprinklers in copper pipe systems is not recommended as this may reduce the life expectancy of the sprinklers.
 (1) Contact Reliable for additional technical information on this sprinkler.

Ordering Information

- Sprinkler temperature rating
- Sprinkler type (select one)
 - Model G3 Dry Pendant
 - Model G3 Dry Horizontal Sidewall
 - Model G3 Dry Pendant Recessed
 - Model G3A Dry Pendant Concealed
- Sprinkler Finish
- Escutcheon finish (where applicable)
- Cover plate finish (where applicable)
- Length

Note: "A" dimension (face of tee to face of ceiling) in 1/2" increments

- The "A" dimension is based on a nominally gaged pipe thread "make-up" of 600" per ANSI B2.1 (7 1/2 threads approx.)
- Dry, Pendant/Horizontal Sprinkler Cup protrudes 1/2" when escutcheon is in nominal position.
- Lead plated, wax coated and wax coated over lead plated finishes will provide improved corrosion resistance in many environments
- All other platings and paintings are decorative and intended for interior use
- Acceptable appearance, in conditions such as parking garages, is generally provided by the dry pendant or horizontal sidewall sprinklers with bronze sprinkler, brass cup and escutcheon.

General Installation Instructions

- The dry sprinkler must be installed only in standard (ANSI B16.4) pipe tees even at branch line ends. The "A" dimension of a dry sprinkler which extends into freezers from wet pipe systems should be selected to provide at least 1 1/4" between the freezers' outside wall or ceiling and the wet pipe
- Cut the appropriate size hole for the sprinkler in the wall or ceiling directly in line with the tee
- Apply pipe joint compound to the 1" pipe threads and install sprinkler using the correct sprinkler wrench
- Install the escutcheon. Use of the FEA Wrench to install the recessed escutcheon will avoid smudge marks on the wall or ceiling. See Bulletin 205 for details.

Model G3 Recessed Installation Instructions

The Model G3 Wrench, Figure (1), is designed to locate on the wrenching pads of the sprinkler while centering in the cup. A standard 1/2" drive ratchet may be used to drive this wrench. Figure (2) shows the removal of the wrench. Care should be taken during this procedure to avoid hitting the deflector with the wrench. The wrench should be lowered until it clears the cup, and then moved horizontally to clear the sprinkler.

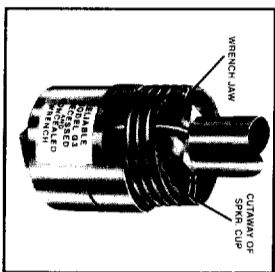


Figure 1



Figure 2

Model G3A Concealed Installation Instructions

After a 2 3/8" diameter hole is cut in the ceiling, the sprinkler is easily installed with the Model G4 Wrench. The wrench has drive tangs which insert into the cup slots. When installing a sprinkler the wrench is first positioned into the sprinkler cup assembly until the wrench tangs engage drive slots in the top of the cup (there are two sets of mating drive slots in the cup). The sprinkler is then tightened into the pipe fitting. When inserting or removing the wrench from the sprinkler cup assembly care should be taken to prevent damage to the sprinkler. **DO NOT WRENCH ON ANY OTHER PART OF THE SPRINKLER CUP ASSEMBLY.**

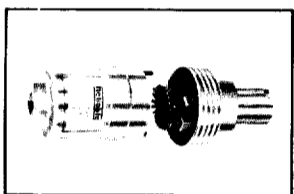


Figure 3

The equipment presented in this bulletin is to be installed in accordance with the latest pertinent Standards of the National Fire Protection Association, Factory Mutual Research Corporation, or other similar organizations and also with the provisions of governmental codes or ordinances whenever applicable. Products manufactured and distributed by RELIABLE have been protecting life and property for over 70 years, and are installed and serviced by the most highly qualified and reputable sprinkler contractors located throughout the United States, Canada and foreign countries.

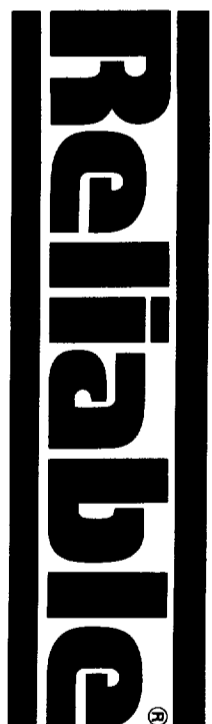
Manufactured by



The Reliable Automatic Sprinkler Co., Inc.

(914) 688-3470 Corporate Offices
 (914) 592-1414 Sales Offices
 (914) 592-3676 Fax

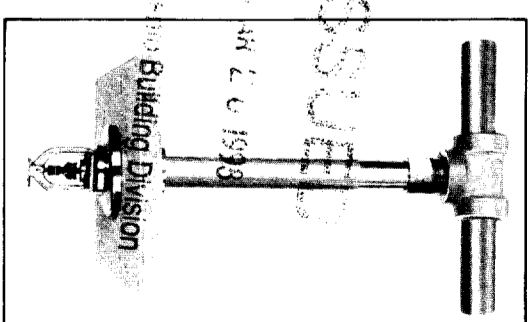
PG, Printed in U.S.A. 5/93



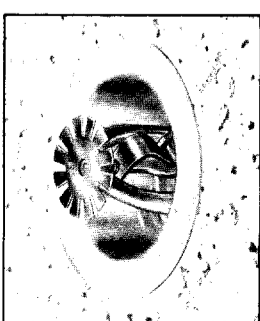
Model G3
 Model G3A
 Dry Sprinklers

Features

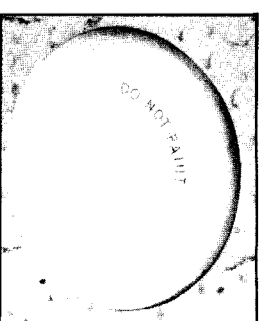
- Styles available:
 - Pendent
 - Recessed
 - Concealed
 - Horizontal Sidewall
- 1 1/2" Escutcheon adjustment on Model G3 Dry Pendant and Dry Horizontal Sidewall sprinklers.
- 1/2" Escutcheon adjustment on Model G3 Dry Pendant Recessed sprinkler.
- 1/2" Cover Plate adjustment on Model G3A Dry Pendant Concealed sprinkler.
- Employs attractive center strut, lever and solder capsule principle.
- Lengths available to accommodate any desired installation dimensions from 2" to 36".
- Available in a variety of finishes.
- Unobstructed waterway.
- U.S. Patent No. 4,288,858, Canadian Patent No. 1,112,126. Other patents pending.
- Listed by Underwriters Laboratories Inc. & Underwriters' Laboratories of Canada. Approved by Factory Mutual Research Corp. & Loss Prevention Council. NYC BS&A No. 587-75-SA.



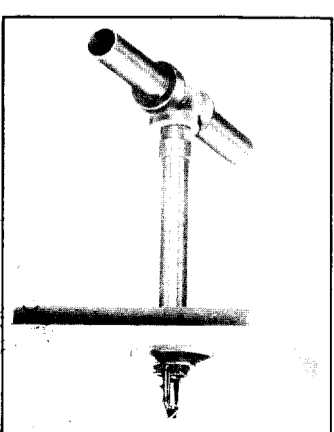
Pendent



Recessed



Concealed



Horizontal Sidewall

Product Description

All Reliable Model G3 and G3A Automatic Dry Sprinklers utilize the center strut in compression principle of construction which controls the valve mechanism at the inlet end. This valve seals pressurized water or air from the sprinkler tube until the sprinkler is activated.

at which time water flows unobstructedly through the tube and is distributed by the deflector. Dry sprinklers are available in pendent, recessed, concealed and horizontal sidewall types and with a variety of finishes. The escutcheons and cover plates are adjustable.

The Reliable Automatic Sprinkler Co., Inc., 525 North MacQuesten Parkway, Mount Vernon, New York 10552

Model G3 Dry Pendant Sprinkler

"A" Dim. 2" to 36" in 1/2" increments

| Finishes: | |
|-------------------------|------------------------------------|
| Bronze | - All Temp. ratings |
| Bright Brass Plated (1) | - 135°F, 165°F & 212°F ratings |
| Bright Chrome Plated | - All Temp. ratings |
| Satin Chrome Plated | - All Temp. ratings |
| Black Plated | - All Temp. ratings |
| Lead Plated | - 165°F, 212°F & 286°F ratings |
| Wax Coated | - 165°F Clear Wax, 212°F Brown Wax |
| Wax Coated Over | - 165°F Clear Wax, 212°F Brown Wax |
| Lead Plated | |

(1) Operating parts are not plated
Sprinkler cup and escutcheon fabricated of brass to provide improved appearance in exterior applications.

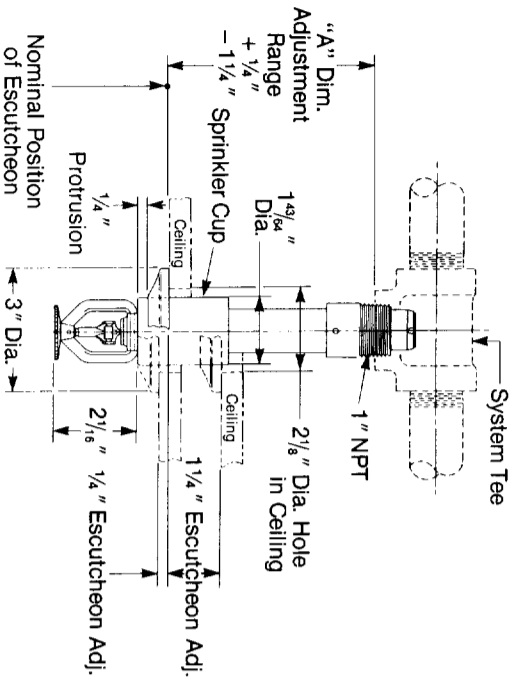
| Sprinkler Temperature Rating | Frame Color* | Max. Ceiling Temp. |
|------------------------------|--------------|--------------------|
| 135°F (57°C) | Black Stripe | 100°F (38°C) |
| 165°F (74°C) | Uncolored | 100°F (38°C) |
| 212°F (100°C) | White | 150°F (66°C) |
| 286°F (141°C) | Blue | 225°F (107°C) |

*Frame color does not apply to plated sprinklers

Sprinkler Installation Wrench:

Model G3 Sprinkler Wrench

Note: Sprinkler cup protrudes 1/4" when escutcheon is in nominal position. Escutcheon adjustment provides +1/2" to -1 1/4" "A" dim. adjustment range.



Model G3 Dry Pendant Recessed Sprinkler

"A" Dim. 3 1/2" to 36" in 1/2" increments

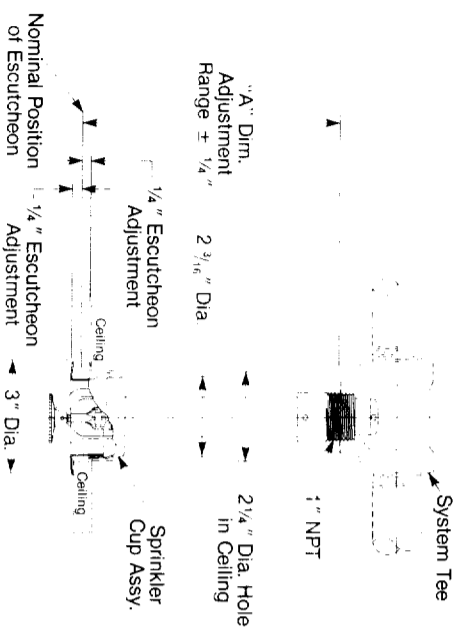
| Finishes: | |
|-------------------------|------------------------------------|
| Bronze | - All Temp. ratings |
| Bright Brass Plated (1) | - 135°F, 165°F & 212°F ratings |
| Bright Chrome Plated | - All Temp. ratings |
| Satin Chrome Plated | - All Temp. ratings |
| Black Plated | - All Temp. ratings |
| Lead Plated | - 165°F, 212°F & 286°F ratings |
| Wax Coated | - 165°F Clear Wax, 212°F Brown Wax |
| Wax Coated Over | - 165°F Clear Wax, 212°F Brown Wax |
| Lead Plated | |

(1) Operating parts are not plated

Sprinkler Installation Wrench:

Model G3 Recessed and Concealed Wrench

Do not install the Model G3 recessed sprinkler in ceilings which have positive pressure in the space above



| Sprinkler Temperature Rating | Max. Ceiling Temp. |
|------------------------------|--------------------|
| 135°F (57°C) | 100°F (38°C) |
| 165°F (74°C) | 100°F (38°C) |
| 212°F (100°C) | 150°F (66°C) |

Escutcheon Installation Wrench: Reliable Model FEA Flush Sprinkler Escutcheon Wrench

Sprinkler cup and escutcheon fabricated of steel and intended for interior applications.

Model G3A Dry Pendant Concealed Sprinkler

"A" Dim. 4 1/2" to 36" in 1/2" increments

| Cover Plates Finishes: | |
|--------------------------------|--|
| Bronze | |
| Bright Brass Plated | |
| Bright Chrome Plated | |
| Satin Chrome Plated | |
| Black Plated | |
| White Painted | |
| Other Factory Painted Finishes | |
| (Quoted Upon Request) | |

The following customer supplied paint types can be factory applied:

- Acrylic Lacquer
- Acrylic Enamel
- Alkyd Enamel
- Epoxy
- Polyurethane
- Polyester

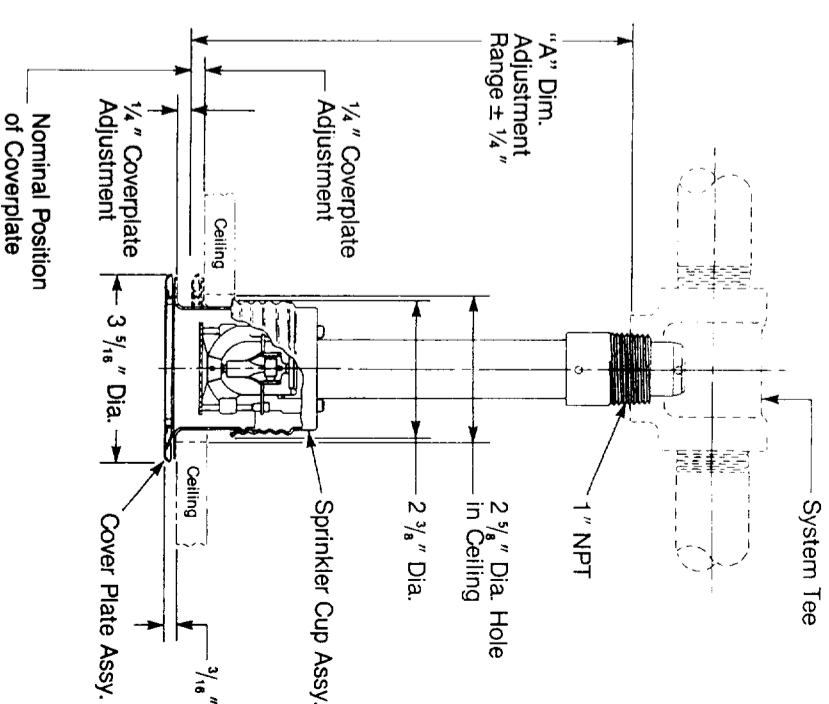
| Sprinkler Temperature Rating | Cover Plate Temp. Rating | Max. Ceiling Temp. |
|------------------------------|--------------------------|--------------------|
| 135°F (57°C) | 135°F (57°C) | 100°F (38°C) |
| 165°F (74°C) | 165°F (74°C) | 100°F (38°C) |
| 212°F (100°C) | 165°F (74°C) | 150°F (66°C) |

Sprinkler cup fabricated of steel and intended for interior applications.

Sprinkler Installation Wrench:

Model G4 Sprinkler Wrench

Do not install the Model G3A Sprinkler in ceilings which have positive pressure in the space above.



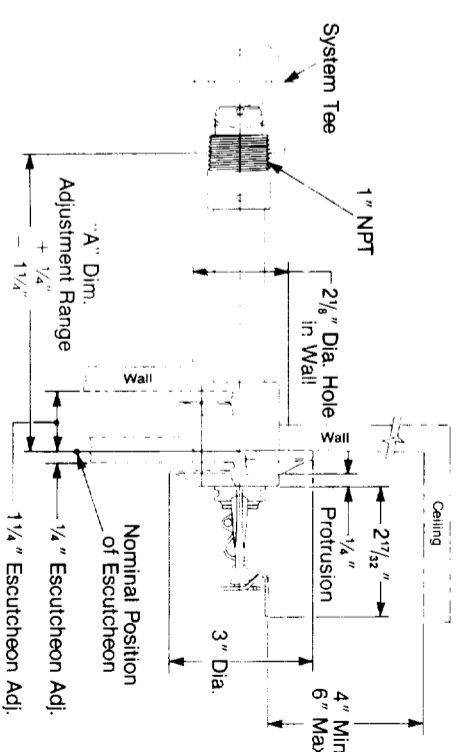
Model G3 Dry Horizontal Sidewall Sprinkler

"A" Dim. 2" to 36" in 1/2" increments

| Finishes: | |
|-------------------------|------------------------------------|
| Bronze | - All Temp. ratings |
| Bright Brass Plated (1) | - 135°F, 165°F & 212°F ratings |
| Bright Chrome Plated | - All Temp. ratings |
| Satin Chrome Plated | - All Temp. ratings |
| Black Plated | - All Temp. ratings |
| Lead Plated | - 165°F, 212°F & 286°F ratings |
| Wax Coated | - 165°F Clear Wax, 212°F Brown Wax |
| Wax Coated Over | - 165°F Clear Wax, 212°F Brown Wax |
| Lead Plated | |

(1) Operating parts are not plated

Sprinkler cup and escutcheon fabricated of brass to provide improved appearance in exterior applications.



| Sprinkler Temperature Rating | Frame Color* | Max. Ceiling Temp. |
|------------------------------|--------------|--------------------|
| 135°F (57°C) | Black Stripe | 100°F (38°C) |
| 165°F (74°C) | Uncolored | 100°F (38°C) |
| 212°F (100°C) | White | 150°F (66°C) |
| 286°F (141°C) | Blue | 225°F (107°C) |

*Frame color does not apply to plated sprinklers

Note: Sprinkler cup protrudes 1/4" when escutcheon is in nominal position. Escutcheon adjustment provides +1/2" to -1 1/4" "A" dim. adjustment range

Sprinkler Installation Wrench:

Model G3 Sprinkler Wrench