

CITY OF SACRAMENTO
1231 I Street, Sacramento, CA 95814

Permit No: 0511053

Insp Area: 4

Thos Bros:

Sub-Type: NSFR

Housing (Y/N): N

Site Address: 5430 KNOTTY PINE WY SAC
Parcel No: NATOMAS PARK COMMONS LOT #50

CONTRACTOR
LENNAR RENAISSANCE INC
1075 CREEKSIDE RIDGE DR #100
ROSEVILLE, CA 95678

OWNER

ARCHITECT
THE DESIGN COLLABORATIVE (VANCE GRAHAM)
3907 PARK DRIVE #220
EL DORADO HILLS, CA 95762

Nature of Work: MP1440 2 STORY 6RM SFR

CONSTRUCTION LENDING AGENCY : I hereby affirm under penalty of perjury that there is a construction lending agency for the performance of the work for which this permit is issued (Sec. 3097, Civ. C).

Lender's Name _____ Lender's Address _____

LICENSED CONTRACTORS DECLARATION: I hereby affirm under penalty of perjury that I am licensed under provisions of Chapter 9 (commencing with section 7000) of Division 3 of the Business and Professions Code and my license is in full force and effect.

License Class License Number 732348 Date 8/9/05 Contractor Signature [Signature]

OWNER-BUILDER DECLARATION: I hereby affirm under penalty of perjury that I am exempt from the contractors License Law for the following reason (Sec. 7031.5, Business and Professions Code; any city or county which requires a permit to construct, alter, improve, demolish, or repair any structure, prior to its issuance, also requires the applicant for such permit to file a signed statement that he or she is licensed pursuant to the provisions of the Contractors License Law (Chapter 9 (commencing with Section 7000) of Division 8 of the Business and Professions Code) or that he or she is exempt therefrom and the basis for the alleged exemption. Any violation of Section 7031.5 by any applicant for a permit subjects the applicant to a civil penalty of not more than five hundred dollars (\$500.00);

I, as a owner of the property, or my employees with wages as their sole compensation, will do the work, and the structure is not intended or offered for sale (Sec. 7044, Business and Professional Code: The Contractors License Law does not apply to an owner of property who builds or improves thereon, and who does such work himself or herself or through his/her own employees, provided that such improvements are not intended or offered for sale. If, however, the building or improvement is sold within one year of completion, the owner-builder will have the burden of proving that he/she did not build or improve for the purpose of sale.)

PAID
CITY OF SACRAMENTO
AUG 09 2005
WORKS CENTER

I, as owner of the property, am exclusively contracting with licensed contractors to construct the project (Sec. 7044, Business and Professions Code: The Contractors License Law does not apply to an owner of property who builds or improves thereon, and who contracts for such projects with a contractor(s) licensed pursuant to the Contractors License Law).

I am exempt under Sec. _____ B& PC for this reason: _____

Date _____ Owner Signature _____

IN ISSUING THIS BUILDING PERMIT, the applicant represents, and the city relies on the representation of the applicant, that the applicant verified all measurements and locations shown on the application or accompanying drawings and that the improvement to be constructed does not violate any law or private agreement relating to permissible or prohibited locations for such improvements. This building permit does not authorize any illegal location of any improvement or the violation of any private agreement relating to location of improvements.

I certify that I have read this application and state that all information is correct. I agree to comply with all city and county ordinances and state laws relating to building construction and hereby authorize representative(s) of this city to enter upon the abovementioned property for inspection purposes.

Date 8/9/05 Applicant/Agent Signature [Signature]

WORKER'S COMPENSATION DECLARATION: I hereby affirm under penalty of perjury one of the following declarations:
I have and will maintain a certificate of consent to self-insure for workers' compensation as provided for by Section 3700 of the Labor Code, for the performance of work for which the permit is issued.

I have and will maintain workers' compensation insurance, as required by Section 3700 of the Labor Code, for the performance of the work for which this permit is issued. My workers' compensation insurance carrier and policy number are:

Carrier OLD REPUBLIC INS. CO. Policy Number MWC11114500 Exp Date 02/28/2007

(This section need not be completed if the permit is for \$100 or less) I certify that in the performance of the work for which this permit is issued, I shall not employ any person in any manner so as to become subject to the workers' compensation laws of California and agree that if I should become subject to the workers' compensation provisions of Section 3700 of the Labor Code, I shall forthwith comply with those provisions.

Date 8/9/05 Applicant Signature [Signature]

WARNING: FAILURE TO SECURE WORKER'S COMPENSATION COVERAGE IS UNLAWFUL AND SHALL SUBJECT AN EMPLOYER TO CRIMINAL PENALTIES AND CIVIL FINES UP TO ONE HUNDRED THOUSAND DOLLARS (\$100,000) IN ADDITION TO THE COST OF COMPENSATION, DAMAGES AS PROVIDED FOR IN SECTION 3706 OF THE LABOR CODE, INTEREST AND ATTORNEY'S FEE.

THIS PERMIT SHALL EXPIRE BY LIMITATION IF WORK IS NOT COMMENCED WITHIN 180 DAYS.



Planning and Building Department
Building Division

CITY OF SACRAMENTO
CALIFORNIA

Downtown Permits Center
1231 I Street, #200
Sacramento, CA 95814-2998
North Permits Center
2101 Arena Blvd., Suite 200
Sacramento, CA 95834

ADDRESS 5430 Knotty Pine PERMIT NO. 0511053

INSPECTION COMMENTS	PERMIT DOCUMENTS
8-25-05 AP-10-11-40-9A	
8-26-05 P 42, 53 TG AP RLB 8-29-05	
8-30-05 B12 AP RLB	
10-21-05 E67 AP 36972 RLB	
11-18-05 B17, 26 AP RLB	
12-20-05 B81-18 AP VLB	
12-22-05 B14 AP VLB	
1-3-05 247 AP RLB	
5-8-06 B2A CW VLB	

FINAL APPROVALS	
BUILDING	
ELECTRICAL	
PLUMBING	
MECHANICAL	
FIRE	
SITE	

1321 DUKE STREET, SUITE 303 • ALEXANDRIA, VA 22314 • (703) 739-0356

THIS IS TO CERTIFY THAT THE INSULATION HAS BEEN INSTALLED IN ACCORDANCE WITH THE CURRENT ENERGY REGULATIONS OF CALIFORNIA IN THE BUILDING DESCRIBED IN THE ADMINISTRATIVE RECORD FILE 24, STATE OF CALIFORNIA.

RENAISSANCE HOME LOT # 50 TRACT # CERRITOS
 STREET 5130 KNOX HWY DRIVE WAY CITY SACRAMENTO

EXTERIOR WALLS:
 MANUFACTURER FH THICKNESS/TYPE 3/4 R-VALUE 13/19

CEILINGS:
 BATTES:
 MANUFACTURER FH THICKNESS/TYPE 10/4 R-VALUE 30
 BLOWN IN:
 MANUFACTURER CT THICKNESS 12 R-VALUE 30

SQUARE FOOTAGE COVERED 700 NUMBER OF BAGS USED 13

FLOORS:
 MANUFACTURER THICKNESS/TYPE R-VALUE
 SLAB ON GRADE:
 MANUFACTURER THICKNESS/TYPE R-VALUE

WIDTH OF INSULATION INCHES

FOUNDATION WALLS:
 MANUFACTURER THICKNESS/TYPE R-VALUE

GENERAL CONTRACTOR
 CALIFORNIA CONTRACTORS LICENSE # DATE

SIGNATURE TITLE

INSULATION CONTRACTOR **ALCAL ARCADE CONTRACTING**
 CALIFORNIA CONTRACTORS LICENSE #615286
 NEVADA CONTRACTORS LICENSE #0055201 DATE 1-17-06

SIGNATURE TITLE

INSTALLATION CERTIFICATE

(Page 1 of 13)

CF-6R

Site Address 5430 Knotty PinePermit Number 0511053

An installation certificate is required to be posted at the building site or made available for all appropriate inspections. (The information provided on this form is required; however, use of this form to provide the information is optional.) After completion of final inspection, a copy must be provided to the building department (upon request) and the building owner at occupancy, per Section 10-103(b).

HVAC SYSTEMS:**Heating Equipment**

Equip. Type (pkg. heat pump)	CEC Certified Mfr Name and Model Number	# of Identical Systems	Efficiency (AFUE, etc.) ¹ [\geq CF-1R value]	Duct Location (attic, etc.)	Duct or Piping R-value	Heating Load (Btu/hr)	Heating Capacity (Btu/hr)
Furnace	Bryant 310JAV036070	1	80	Attic	6	17,810	51,000

Cooling Equipment

Equip. Type (pkg. heat pump)	CEC Certified Compressor Unit Mfr Name and Model Number	# of Identical Systems	Efficiency (SEER, etc.) ¹ [\geq CF-1R value]	Duct Location (attic, etc.)	Duct R-value	Cooling Load (Btu/hr)	Cooling Capacity (Btu/hr)
Split A/C	Bryant 537GNX030	1	14.0	Attic	6	20036	28,800

1. \geq reads greater than or equal to.

I, the undersigned, verify that equipment listed above is: 1) the actual equipment installed, 2) equivalent to or more efficient than that specified in the certificate of compliance (Form CF-1R) submitted for compliance with the *Energy Efficiency Standards* for residential buildings, and 3) equipment that meets or exceeds the appropriate requirements for manufactured devices (from the *Appliance Efficiency Regulations* or Part 6), where applicable.

Robert Deuel 10/17/05
Signature, Date

Deal Mechanical, Inc.

Installing Subcontractor (Co. Name)
OR General Contractor (Co. Name) OR Owner

WATER HEATING SYSTEMS:

Heater Type	CEC Certified Mfr Name & Model Number	Distribution Type (Std. Point-of-Use)	If Recirculation, Control Type	# of Identical Systems	Rated ¹ Input (kW or Btu/hr)	Tank Volume (gallons)	Efficiency ² (EF, RE)	Standby ³ Loss (%)	External Insulation R-value
Gas	A Heem 412A50-907F	STD	N/A	N/A	46,000	50			19.2

2. For small gas storage (rated input of less than or equal to 75,000 Btu/hr), electric resistance and heat pump water heaters, list Energy Factor. For large gas storage water heaters (rated input of greater than 75,000 Btu/hr), list Recovery Efficiency, Standby Loss and Rated Input. For instantaneous gas water heaters, list Recovery Efficiency and Rated Input.
3. R-12 external insulation is mandatory for storage water heaters with an energy factor of less than 0.58.

Faucets & Shower Heads:

All faucets and showerheads installed are certified to the Commission, pursuant to Title 24, Part 6, Section 111.

I, the undersigned, verify that equipment listed above my signature is: 1) the actual equipment installed; 2) equivalent to or more efficient than that specified in the certificate of compliance (Form CF-1R) submitted for compliance with the *Energy Efficiency Standards* for residential buildings; and 3) equipment that meets or exceeds the appropriate requirements for manufactured devices (from the *Appliance Efficiency Regulations* or Part 6), where applicable.

[Signature] 7/28/06
Signature, Date

Bianchi
Installing Subcontractor (Co. Name) OR
General Contractor (Co. Name) OR Owner

COPY TO: Building Department
HERS Provider (if applicable)
Building Owner at Occupancy

INSTALLATION CERTIFICATE

(page 2 of 4)

CF-6R

LOT : 50-1
Plan : 162A;162(REV);;

Work Order :
Builder :

171932

RENAISSANCE - THE COMMONS

Site Address : 5430 Knottys Pine

Permit # 051053

FENESTRATION/GLAZING:

Manufacturer/Brand Name (GROUP LIKE PRODUCTS)	Operator Type (e.g., fixed, slider)	Manufactured Products Labelled U-value (\leq CF-1R value) ²	Site Built Products		Quantity (optional)	Total Square Feet	Comments/Special Features
			# of Panes	Default U-Value ²			
1. WINDFORD WINDOW	Fixed	0.320				55.9	
2. WINDFORD WINDOW	P/Door	0.350				48.0	
3. WINDFORD WINDOW	H/Slider	0.350				92.5	
4. WINDFORD WINDOW	S/Hung	0.350				20.5	
5. * Weighted Average	----->	0.342				216.9	
6.							
7.							
8.							
9.							
10.							
11.							
12.							
13.							
14.							
15.							
16.							
17.							
18.							
19.							
20.							
21.							
22.							
23.							
24.							
25.							

²Installed U-value must be less than or equal to value from CF-1R. Alternatively, installed weighted average U-value for the total fenestration area is less than or equal to value from CF-1R.

I, the undersigned, verify that the fenestration/glazing listed above my signature (1) is the actual fenestration product installed; (2) is the equivalent to or more efficient than that specified in the certificate of compliance (Form CF-1R) submitted for compliance with the Energy Efficiency Standards for residential buildings; and (3) the product meets or exceeds the appropriate requirements for manufactured devices (from Part 6), where applicable.

Item #s
(if applicable)

[Signature] 2/28/08
Signature, Date

Installing Subcontractor (Co. Name) OR
General Contractor (Co. Name) OR Owner

Item #s
(if applicable)

Signature, Date

Installing Subcontractor (Co. Name) OR
General Contractor (Co. Name) OR Owner

Item #s
(if applicable)

Signature, Date

Installing Subcontractor (Co. Name) OR
General Contractor (Co. Name) OR Owner

* Product mix and u-values reflect plan changes as of 03/06/06

0511053



Installation Card

Job Address
COMMONS AT NATOMAS | Lot: 00050-9
5430 KNOTTY PINE WAY
SACRAMENTO

Stucco System Tradename: KWIK KOTE

Name of Stucco Manufacturer: KWIK KOTE CORP.

ICC Evaluation Service, Inc.
Evaluation Report ESR-1711
Date of Job Completion

Stucco Contractor

Name: KENYON PLASTERING, INC.

Address: PO BOX 2077

North Highlands CA, 95660

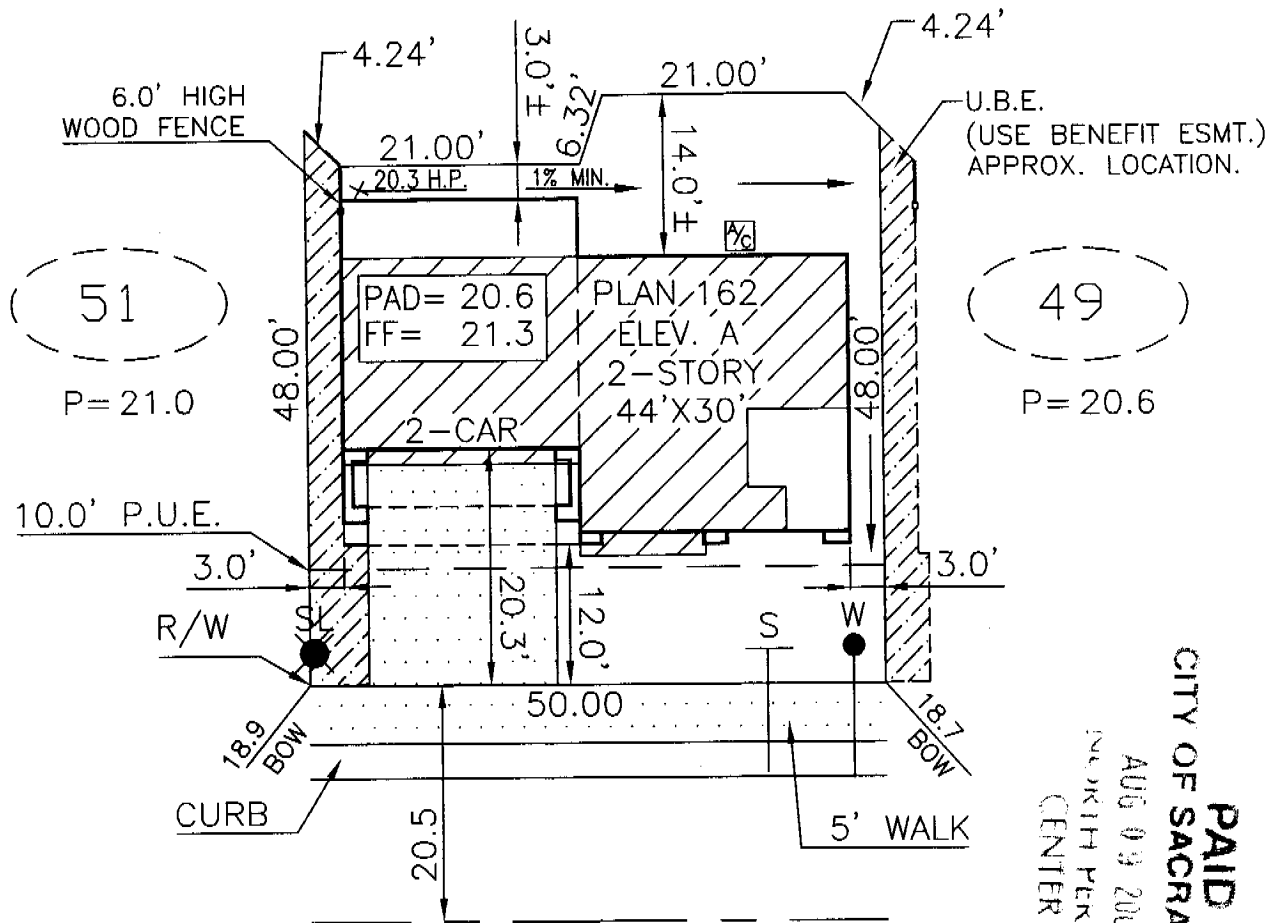
Telephone Number: 916/349-8191

Approved Contract Number as issued by KWIK KOTE: 1001

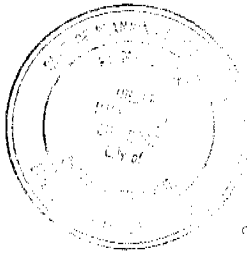
This is to certify that the stucco system on the building exterior at the above address has been installed in accordance with the evaluation report specified above and the KWIK KOTE instructions.

Julian A. Alvarez
Signature of authorized representative of stucco contractor

3-6-06
Date



KNOTTY PINE WAY



This set of plans and specifications must be kept in the office of the contractor and it is unlawful to make a duplicate or copy of the same without the written consent from the engineer. The contractor shall be held liable for violation of any city ordinance and specification.

DIMENSIONS SHOWN ARE APPROXIMATE EXCEPT FOR MINIMUMS REQUIRED BY ORDINANCE. THIS PLOT DOES NOT REFLECT AS BUILT CONDITIONS AND MAY VARY FROM THIS PLAN.

<p>1075 CREEKSIDE RIDGE DR. SUITE 100. ROSEVILLE, CA 95678 PHONE (916) 773-4083 FAX (916) 773-4086</p>		<p>PLOT PLAN</p> <p>NOTES: * LOT REQUIRES BACKWATER VALVE</p>	
<p>ADDRESS: 5430 KNOTTY PINE WAY</p>		<p>LOT COV: 42 %</p>	
<p>PLAN NO.: 162-A</p>	<p>LOT SQ. FT.: 2,400</p>	<p>APN:</p>	
<p>DRAWN BY: R.P.</p>	<p>APPROVED BY: </p>	<p>DATE: 7/12/05</p>	<p>SCALE: 1"=16'</p>
			<p>LOT 50</p>