

CITY OF SACRAMENTO

1231 I Street, Sacramento, CA 95814

Permit No: 0510296

Insp Area: 1

Thos Bros: 297E6

Site Address: 2325 T ST SAC

Parcel No: 010-0036-013
N

THIS PERMIT IS FOR 2325 T ST "B"

Sub-Type: RES

Housing (Y/N):

CONTRACTOR
GUDGEL YANCEY ROOFING
5321 84TH ST
SACRAMENTO CA 95826

OWNER
BRIGHAM MELVINA K/STEPHEN L
2319 T ST
SACRAMENTO, CA 95816

ARCHITECT

Nature of Work: CONDOFAPPONAPPINJOB FOLDER. THIS PERMIT IS FOR 2325 T ST "B". T/O, RESEET & REROOF 35 SQ' SWITH 50YR DIM LAM COMP.

CONSTRUCTION LENDING AGENCY: I hereby affirm under penalty of perjury that there is a construction lending agency for the performance of the work for which this permit is issued (Sec. 3097, Civ. C).

Lender's Name _____ Lender's Address _____

LICENSED CONTRACTORS DECLARATION: I hereby affirm under penalty of perjury that I am licensed under provisions of Chapter 9 (commencing with section 7000) of Division 3 of the Business and Professions Code and my license is in full force and effect.

License Class C39 License Number 589559 Date 7/13/05 Contractor Signature [Signature]

OWNER-BUILDER DECLARATION: I hereby affirm under penalty of perjury that I am exempt from the contractors License Law for the following reason (Sec. 7031.5, Business and Professions Code; any city or county which requires a permit to construct, alter, improve, demolish, or repair any structure, prior to its issuance, also requires the applicant for such permit to file a signed statement that he or she is licensed pursuant to the provisions of the Contractors License Law (Chapter 9 (commencing with Section 7000) of Division 8 of the Business and Professions Code) or that he or she is exempt therefrom and the basis for the alleged exemption. Any violation of Section 7031.5 by any applicant for a permit subjects the applicant to a civil penalty of not more than five hundred dollars (\$500.00);

I, as a owner of the property, or my employees with wages as their sole compensation, will do the work, and the structure is not intended or offered for sale (Sec. 7044, Business and Professional Code: The Contractors License Law does not apply to an owner of property who builds or improves thereon, and who does such work himself or herself or through his/her own employees, provided that such improvements are not intended or offered for sale. If, however, the building or improvement is sold within one year of completion, the owner-builder will have the burden of proving that he/she did not build or improve for the purpose of sale.)

I, as owner of the property, am exclusively contracting with licensed contractors to construct the project (Sec. 7044, Business and Professions Code: The Contractors License Law does not apply to an owner of property who builds or improves thereon, and who contracts for such projects with a contractor(s) licensed pursuant to the Contractors License Law).

I am exempt under Sec. _____ B & PC for this reason: _____

Date _____ Owner Signature _____

IN ISSUING THIS BUILDING PERMIT, the applicant represents, and the city relies on the representation of the applicant, that the applicant verified all measurements and locations shown on the application or accompanying drawings and that the improvement to be constructed does not violate any law or private agreement relating to permissible or prohibited locations for such improvements. This building permit does not authorize any illegal location of any improvement or the violation of any private agreement relating to location of improvement.

I certify that I have read this application and state that all information is correct. I agree to comply with all city and county ordinances and state laws relating to building construction and hereby authorize representative(s) of this city to enter upon the above mentioned property for inspection purposes.

Date 7/13/05 Applicant/Agent Signature [Signature]

WORKER'S COMPENSATION DECLARATION: I hereby affirm under penalty of perjury one of the following declarations:

I have and will maintain a certificate of consent to self-insure for workers' compensation as provided for by Section 3700 of the Labor Code, for the performance of work for which the permit is issued.

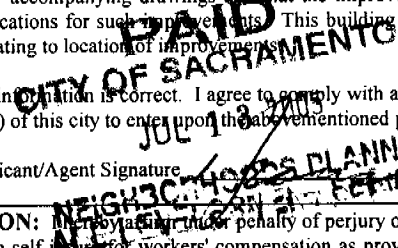
I have and will maintain workers' compensation insurance, as required by Section 3700 of the Labor Code, for the performance of the work for which this permit is issued. My workers' compensation insurance carrier and policy number are:

Carrier STATE FUND Policy Number 1706798 Exp Date 10/01/2005

(This section need not be completed if the permit is for \$100 or less) I certify that in the performance of the work for which this permit is issued, I shall not employ any person in any manner so as to become subject to the workers' compensation laws of California and agree that if I should become subject to the workers' compensation provisions of Section 3700 of the Labor Code, I shall forthwith comply with those provisions.

Date 7/13/05 Applicant Signature [Signature]

WARNING: FAILURE TO SECURE WORKER'S COMPENSATION COVERAGE IS UNLAWFUL AND SHALL SUBJECT AN EMPLOYER TO CRIMINAL PENALTIES AND CIVIL FINES UP TO ONE HUNDRED THOUSAND DOLLARS (\$100,000) IN ADDITION TO THE COST OF



7 PB-50 year lam dim comp, no rolled roof edges, no new gutters

CITY OF SACRAMENTO
 Downtown Permit Center
 1231 I Street, Suite 200
 Sacramento, CA 95814
 North Permit Center
 2101 Arena Blvd., Suite 200
 Sacramento, CA 95834
 Fax # 916-264-1901

www.cityofsacramento.org
 Help Line: 1-916-808-5656 OR 1-866-EZ-PERMIT
 Inspection Request: 1-916-808-7622

Development SERVICES
 Conditions of approval
 Edgard Schmidt
 OS/0288

010-0036-013 **MINOR PERMIT APPLICATION** Date: 7/13/05

Faxed/web request must be received in this office by 3:00 P.M. to be processed the following workday. Contractors must have a current certificate of Worker's Compensation Insurance. Note: Work started before a Building Permit is issued will be subject to quad fee.

Permits requiring Plan Review are not eligible for the MINOR PERMIT PROGRAM
 Design Review and Historic Preservation approval may be required if job address is located in those areas (additional forms may be required).

IN ORDER TO PROCESS THIS REQUEST, ALL THE FOLLOWING INFORMATION MUST BE PROVIDED:

Job Address: 2319 T Street Bldg Type: RESIDENTIAL APARTMENTS (4+ units per building) COMMERCIAL (limited)
 CONTACT INFO Name: Jason Ludwig Phone #: 417-4995 Unit # _____ Contract Price \$800 Fee
 Property Owner: STEVE BONDHEIM Contractor: Michael Yonkey License #: S89559
 Address: 2319 T Street Address: 5321 Birch St City/State/Zip: Sacramento CA 95836
 City/State/Zip: Sacramento CA 95816 Phone: 387-6900 Fax: _____
 Phone: _____ Pre-Registered? YES NO Registration # _____
 Nature of Work: Provide description of work & indicate type of work in selections below.

Description of Work: Flux off and Re-Seal and Insulate 50 year old Purlin

<input type="checkbox"/> Reroof (excluding tile) <input checked="" type="checkbox"/> Tear-Off <input type="checkbox"/> Resheet <input checked="" type="checkbox"/> House <input type="checkbox"/> Garage # Stories: 1 # Squares: 35 Exposed Material: <u>SD 1/2" Ply Dim Lamin</u> <input type="checkbox"/> Siding <input type="checkbox"/> Wood <input type="checkbox"/> T-111 <input type="checkbox"/> Horiz <input type="checkbox"/> Vinyl <input type="checkbox"/> Stucco	<input type="checkbox"/> HVAC Installations (Residential Only) <input type="checkbox"/> Change-out <input type="checkbox"/> New <input type="checkbox"/> Heat Pump <input type="checkbox"/> Package <input type="checkbox"/> Split system <input type="checkbox"/> Roof mount <input type="checkbox"/> Cut-in <input type="checkbox"/> Heat pump or elect. unit to gas. <input type="checkbox"/> Wall furnace <input type="checkbox"/> Other (describe below) Value of duct work: _____ Equipment: \$ _____ Cut-in: \$ _____	<input type="checkbox"/> Water Heater (Residential Only) <input type="checkbox"/> Electric <input type="checkbox"/> Gas <input type="checkbox"/> Change-out <input type="checkbox"/> Electric to Gas <input type="checkbox"/> Relocate <input type="checkbox"/> New <input type="checkbox"/> Dry Rot or Termite Damage Repair <input type="checkbox"/> Flooring/Joists <input type="checkbox"/> Mudslill/Studs <input type="checkbox"/> Roof Structure <input type="checkbox"/> Exterior	<input type="checkbox"/> Minor Electric and/or Plumbing (Residential Only) <input type="checkbox"/> Electric Service Change # amps _____ <input type="checkbox"/> New electric circuits <input type="checkbox"/> Re-wire <input type="checkbox"/> Water Service Replacement <input type="checkbox"/> Sewer Service Replacement <input type="checkbox"/> Gas Line Replacement <input type="checkbox"/> Re-plumb <input type="checkbox"/> Water <input type="checkbox"/> Waste	<input type="checkbox"/> Public Utilities Safety Inspection (Residential and single apartment units-Only) <input type="checkbox"/> SMUD <input type="checkbox"/> PG&E * NOTE * Correction Notice items will require an additional building permit.	
Office Use Only:	Parcel #:	Date Received:	Date Issued:	Processor's Initials:	Permit #:



CITY OF SACRAMENTO

www.cityofsacramento.org

Help Line: 1-916-808-5656 OR 1-866-EZ-PERMIT
Inspection: 1-916-808-7622

Downtown Permit Center
1231 I Street, Suite 200
Sacramento, CA 95814

North Permit Center
2101 Arena Blvd., Suite 200
Sacramento, CA 95834

ROOFING QUESTIONNAIRE

Applicant's Name:

Louise Lynskey

Phone: *387-6900*

Project Address:

2319 13 Street

Phone:

Please check the appropriate boxes. Only check a box if it accurately and completely describes your proposed work, otherwise leave boxes blank.

1. ROOFING TYPE

a. The existing roofing material is composition shingle, wood shake or shingle, tile or metal. The new roofing material will be:

- | | | |
|--------------------------|-------------------------------------|--|
| Existing | Proposed | <i>So yes</i> |
| <input type="checkbox"/> | <input checked="" type="checkbox"/> | 30 year laminated dimensional composition |
| <input type="checkbox"/> | <input type="checkbox"/> | Wood shake or shingle |
| <input type="checkbox"/> | <input type="checkbox"/> | Tile |
| <input type="checkbox"/> | <input type="checkbox"/> | Metal that simulates one of the above listed materials |

b. The new roofing material will be:

- | | | |
|--------------------------|--------------------------|----------|
| Existing | Proposed | |
| <input type="checkbox"/> | <input type="checkbox"/> | Built up |
| <input type="checkbox"/> | <input type="checkbox"/> | Foam |
| <input type="checkbox"/> | <input type="checkbox"/> | Membrane |

2. GUTTERS

- a. The existing gutters are fascia gutters.
 There is no change proposed to existing gutters.
 New fascia gutters shall be provided.
 Gutters shall be repaired and/or replaced to match existing.
- b. The existing gutters are Ogee gutters.
 There is no change proposed to existing gutters.
 New Ogee gutters shall be provided.
 Gutters shall be repaired and/or replaced to match existing.
- c. There are no existing gutters.
 No new gutters are proposed.
 New Ogee gutters shall be provided.

3. RAFTER TAILS

- a. There are no exposed rafter tails.
b. There are no existing gutters.

By signing below, the applicant certifies that this form accurately describes the proposed work.

Applicant's signature:

[Handwritten Signature]

Date: *7/13/05*

FOR CITY STAFF USE ONLY

Counter Staff: _____

- In a DR District. Meets DR criteria? Yes No (route to DR staff)
 In a P area or listed (route to P staff)
 Not in a DR or P area



CITY OF SACRAMENTO

www.cityofsacramento.org
 Help Line: 1-916-808-3656 OR 1-866-EZ-PERMIT
 Inspection Request: 1-916-808-7622

Downtown Permit Center
 1231 I Street, Suite 200
 Sacramento, CA 95814

North Permit Center
 2101 Arena Blvd., Suite 200
 Sacramento, CA 95834

Fax # 916-264-1901

0510296

MINOR PERMIT APPLICATION

Date: 7/17/05

Faxed/web request must be received in this office by 3:00 P.M. to be processed the following workday. Contractors must have a current certificate of Worker's Compensation Insurance. Note: Work started before a Building Permit is issued will be subject to quad fee.

Permits requiring Plan Review are not eligible for the MINOR PERMIT PROGRAM
 Design Review and Historic Preservation approval may be required if job address is located in those areas (additional forms may be required)

IN ORDER TO PROCESS THIS REQUEST, ALL THE FOLLOWING INFORMATION MUST BE PROVIDED:

Job Address: 2325 B 13 Street Bldg Type: RESIDENTIAL APARTMENTS (4+ units per building) COMMERCIAL (limited)
 Unit # _____ Contract Price \$4800

CONTACT INFO Name: _____ Phone #: _____ Email: _____
 Contractor: Sandy (Yunwey) License #: 399559
 Property Owner: Steve Brughes Address: 3328 84th Street
 Address: 2319 13 Street City/State/Zip: Sacramento, CA 95825
 City/State/Zip: Sacramento, CA 95816 Phone: 387-6900 Fax: _____
 Pre-Registered? YES NO Registration # _____

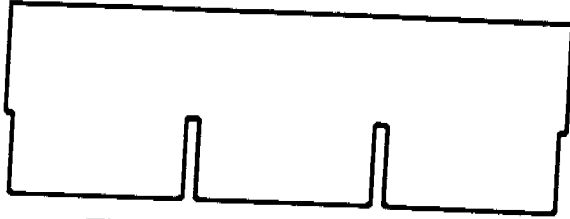
Nature of Work: Provide description of work & indicate type of work in selections below.

Description of Work: Fence of Resteel installed so year over again

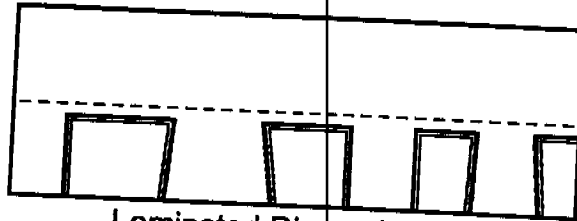
<input type="checkbox"/> Reroof (excluding tile) <input checked="" type="checkbox"/> Tear-Off <input checked="" type="checkbox"/> Resheet <input checked="" type="checkbox"/> House <input type="checkbox"/> Garage # Stories: 1 # Squares: 35 Material: Soffit (S-P) <input type="checkbox"/> Siding <input type="checkbox"/> Wood <input type="checkbox"/> T-111 <input type="checkbox"/> Horiz <input type="checkbox"/> Vinyl <input type="checkbox"/> Stucco	<input type="checkbox"/> HVAC Installations (Residential Only) <input type="checkbox"/> Change-out <input type="checkbox"/> New <input type="checkbox"/> Heat Pump <input type="checkbox"/> Package <input type="checkbox"/> Split system <input type="checkbox"/> Roof mount <input type="checkbox"/> Cut-in <input type="checkbox"/> Heat pump or elect. unit to gas. <input type="checkbox"/> Wall furnace <input type="checkbox"/> Other (describe below) Value of duct work: _____ Equipment: \$ _____ Cut-in: \$ _____	<input type="checkbox"/> Water Heater (Residential Only) <input type="checkbox"/> Electric <input type="checkbox"/> Gas <input type="checkbox"/> Change-out <input type="checkbox"/> Electric to Gas <input type="checkbox"/> Relocate <input type="checkbox"/> New <input type="checkbox"/> Dry Rot or Termitte Damage Repair <input type="checkbox"/> Flooring/Joists <input type="checkbox"/> Mud sill/Studs <input type="checkbox"/> Roof Structure <input type="checkbox"/> Exterior	<input type="checkbox"/> Minor Electric and/or Plumbing (Residential Only) <input type="checkbox"/> Electric Service Change # amps _____ <input type="checkbox"/> New electric circuits <input type="checkbox"/> Re-wire <input type="checkbox"/> Water Service Replacement <input type="checkbox"/> Sewer Service Replacement <input type="checkbox"/> Gas Line Replacement <input type="checkbox"/> Re-plumb <input type="checkbox"/> Water <input type="checkbox"/> Waste	<input type="checkbox"/> Public Utilities Safety Inspection (Residential and single apartment units Only) <input type="checkbox"/> SMUD <input type="checkbox"/> PG&E * NOTE * Correction Notice items will require an additional building permit.
Office Use Only:	Parcel #: _____	Date Received: _____	Date Issued: _____	Permit #: _____

CITY OF SACRAMENTO RE-ROOF PERMIT DESIGN REVIEW GUIDE

COMPOSITION ROOFING MATERIALS

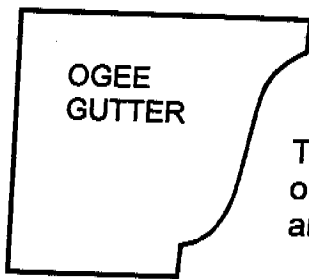


Three-tab NOT ALLOWED
in Design Review Areas



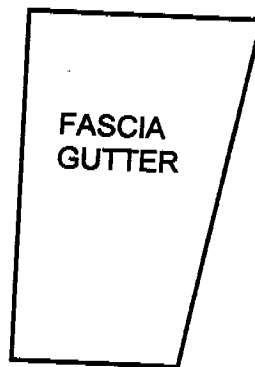
Laminated Dimensional
minimum 30-year required

GUTTER TYPES



OGEE
GUTTER

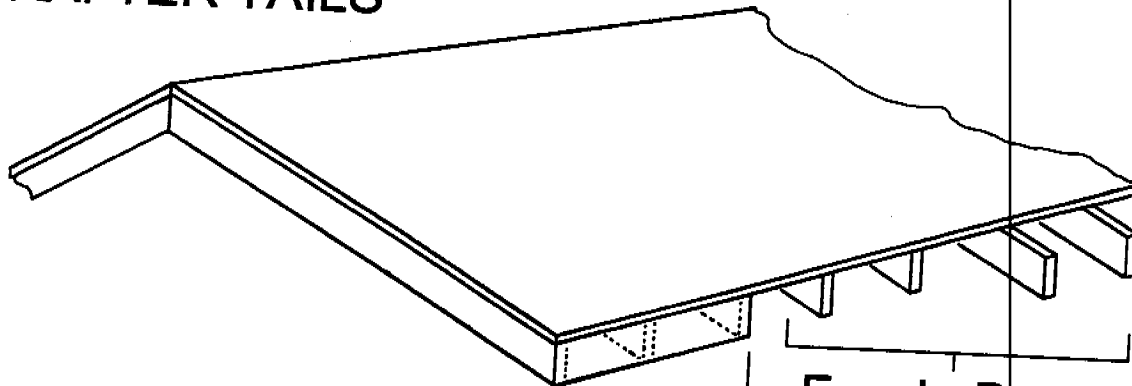
Typical of
older style
architecture



FASCIA
GUTTER

Typical of
newer 'modern'
architecture

RAFTER TAILS



covering ends
of Rafters

Fascia Board Exposed
Rafter Tails