

**CITY OF SACRAMENTO**

**1231 I Street, Sacramento, CA 95814**

**Permit No: 0004307**

**Insp Area: 4**

**Site Address: 2036 BLACKRIDGE AV SAC**

**Sub-Type: NSFR**

**Parcel No: 225-1400-044**

**LOT 44 NATOMAS PARK UNIT 8**

**Housing (Y/N):**

**N**

**CONTRACTOR**

**OWNER**

**ARCHITECT**

MOURIER JOHN CONSTRUCTION INC.  
1830 VERNON ST  
SUITE 9 95687

**Nature of Work: NSFR MP2447 2 STORY 11 RMS**

**CONSTRUCTION LENDING AGENCY :** I hereby affirm under penalty of perjury that there is a construction lending agency for the performance of the work for which this permit is issued (Sec. 3097, Civ. C).

Lender's Name \_\_\_\_\_ Lender's Address \_\_\_\_\_

**LICENSED CONTRACTORS DECLARATION:** I hereby affirm under penalty of perjury that I am licensed under provisions of Chapter 9 (commencing with section 7000) of Division 3 of the Business and Professions Code and my license is in full force and effect.

License Class B License Number 613004 Date 4/25/00 Contractor Signature N. Collins

**OWNER-BUILDER DECLARATION:** I hereby affirm under penalty of perjury that I am exempt from the contractors License Law for the following reason (Sec. 7031.5, Business and Professions Code; any city or county which requires a permit to construct, alter, improve, demolish, or repair any structure, prior to its issuance, also requires the applicant for such permit to file a signed statement that he or she is licensed pursuant to the provisions of the Contractors License Law (Chapter 9 (commencing with Section 7000) of Division 8 of the Business and Professions Code) or that he or she is exempt therefrom and the basis for the alleged exemption. Any violation of Section 7031.5 by any applicant for a permit subjects the applicant to a civil penalty of not more than five hundred dollars (\$500.00);

\_\_\_\_ I, as a owner of the property, or my employees with wages as their sole compensation, will do the work, and the structure is not intended or offered for sale (Sec. 7044, Business and Professional Code: The Contractors License Law does not apply to an owner of property who builds or improves thereon, and who does such work himself or herself or through his/her own employees, provided that such improvements are not intended or offered for sale. If, however, the building or improvement is sold within one year of completion, the owner-builder will have the burden of proving that he/she did not build or improve for the purpose of sale.)

\_\_\_\_ I, as owner of the property, am exclusively contracting with licensed contractors to construct the project (Sec. 7044, Business and Professions Code. The Contractors License Law does not apply to an owner of property who builds or improves thereon, and who contracts for such projects with a contractor(s) licensed pursuant to the Contractors License Law).

\_\_\_\_ I am exempt under Sec. \_\_\_\_\_ B & PC for this reason: \_\_\_\_\_

Date \_\_\_\_\_ Owner Signature \_\_\_\_\_

**IN ISSUING THIS BUILDING PERMIT,** the applicant represents, and the city relies on the representation of the applicant, that the applicant verified all measurements and locations shown on the application or accompanying drawings and that the improvement to be constructed does not violate any law or private agreement relating to permissible or prohibited locations for such improvements. This building permit does not authorize any illegal location of any improvement or the violation of any private agreement relating to location of improvements.

I certify that I have read this application and state that all information is correct. I agree to comply with all city and county ordinances and state laws relating to building construction and hereby authorize representative(s) of this city to enter upon the abovementioned property for inspection purposes.

Date 4/25/00 Applicant/Agent Signature N. Collins

**WORKER'S COMPENSATION DECLARATION:** I hereby affirm under penalty of perjury one of the following declarations:

\_\_\_\_ I have and will maintain a certificate of consent to self-insure for workers' compensation as provided for by Section 3700 of the Labor Code, for the performance of work for which the permit is issued.

I have and will maintain workers' compensation insurance, as required by Section 3700 of the Labor Code, for the performance of the work for which this permit is issued. My workers' compensation insurance carrier and policy number are:

Carrier FINANCIAL PACIFIC INS. CO. Policy Number 920137C Exp Date 10/01/2000

\_\_\_\_ (This section need not be completed if the permit is for \$100 or less) I certify that in the performance of the work for which this permit is issued, I shall not employ any person in any manner so as to become subject to the workers' compensation laws of California and agree that if I should become subject to the workers' compensation provisions of Section 3700 of the Labor Code, I shall forthwith comply with those provisions.

Date 4/25/00 Applicant Signature N. Collins

**WARNING: FAILURE TO SECURE WORKER'S COMPENSATION COVERAGE IS UNLAWFUL AND SHALL SUBJECT AN EMPLOYER TO CRIMINAL PENALTIES AND CIVIL FINES UP TO ONE HUNDRED THOUSAND DOLLARS (\$100,000) IN ADDITION TO THE COST OF COMPENSATION, DAMAGES AS PROVIDED FOR IN SECTION 3706 OF THE LABOR CODE, INTEREST AND ATTORNEY'S FEE.**

**THIS PERMIT SHALL EXPIRE BY LIMITATION IF WORK IS NOT COMMENCED WITHIN 180 DAYS.**

RESIDENTIAL BUILDING PERMIT APPLICATION

- New Construction
- Addition
- Remodels
- Other

Project Address: 2036 Blackbridge Ave Assessor Parcel # 225-1<sup>40</sup>0-044  
 Lot # 44

OWNER INFORMATION:

Legal Property Owner: John Moubier Construction Phone # (916) 969-2842  
 Owner Address: 1830 VERNON STREET, #9, CITY ROSEVILLE State Ca. Zip 95678

CONTRACTOR INFORMATION:

Contractor: J.M.C. Lic. # 613004 Phone # 969-2842 Fax # 782-8903  
Northpointe Park Unit 8 Village #1 A

PROJECT INFORMATION:

Land Use Zone R14 Occupancy Group R3 Construction Type VN Fed Code 14  
 No. of stories: 2 No. of rooms: 11 Street width: \_\_\_\_\_  
 1<sup>st</sup> Floor Area 1244 2<sup>nd</sup> Floor Area 1203 Basement \_\_\_\_\_ Roof Material \_\_\_\_\_

AREA IN SQUARE FOOT OF:	EXISTING	NEW
Dwelling/Living	_____	<u>2447</u>
Garage/Storage	_____	<u>565</u>
Decks/Balconies	_____	<u>127</u>
Carports	_____	_____

SCOPE OF WORK: \_\_\_\_\_

FOR OFFICE USE ONLY

- Information above complete
- AR Flood Waiver required
- Planning Approval
- Violation files checked
- Flood Elevation Certificate Required
- Design Review Approval
- Standard setbacks
- Water Development Infill Area
- Special Fee Districts Apply : \_\_\_\_\_
- County Sewer

NEW STRUCTURES & ADDITIONS

◆ THE FOLLOWING MUST BE PROVIDED IN ORDER TO SUBMIT FOR PLAN REVIEW

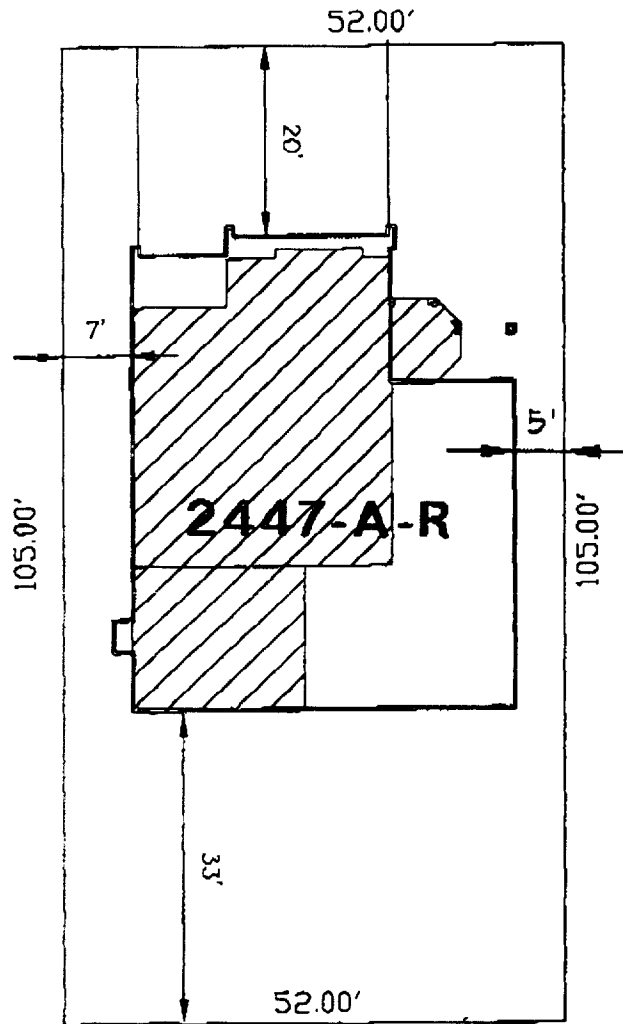
- 2 COMPLETE PLANS, LEGIBLE & DRAWN TO SCALE
  - 3 SETS IF PROJECT IS IN A DESIGN REVIEW AREA
  - Title 24 Energy Compliance documentation
  - Grading and Erosion Control Questionnaire
  - 11" x 17" copy of floor plan for County Assessor
  - Plan Review Fees
- ◆ Plans to include: site plan, floor plan, elevations, roof/ceiling plan, foundation and structural framing details, and structural calculations for non-conforming structures.

Date: \_\_\_\_\_ Received by: (staff) \_\_\_\_\_





# NORTHPOINTE 8-1



Measurement of this site is based on a survey of record dated 11/11/99

**LOT: 44 SITE ADDRESS:**

WHEN USED FOR SALES OR CONTRACT PURPOSES THIS DOCUMENT DOES NOT GUARANTEE ANY DIMENSIONS, DISTANCES, BEARINGS OR SETBACKS. JMC RESERVES THE RIGHT TO MAKE CHANGES AT ANY TIME WITHOUT PRIOR NOTICE AND IS NOT RESPONSIBLE FOR IRREGULARITIES OR DIFFERENCES IN ACTUAL OR "AS-BUILT" LOT CHARACTERISTICS.

SCALE: 1"=20'	COVERAGE: 33%
LOT SIZE: 5460	APN:
NP81-P44 SH 040600	180 VERRON ST., No. 9 ROSEVILLE, CA 95678 916-782-8878 CA. LIC. 019004

