

CITY OF SACRAMENTO

1231 I Street, Sacramento, CA 95814

Permit No: 9904719

Insp Area: 4

Site Address: 1861 HAWKHAVEN WY SAC

Sub-Type: NSFR

Parcel No: 225-1100-023

NORHTPOINTE VIL # 5 LOT 23

Housing (Y/N): N

CONTRACTOR

OWNER

ARCHITECT

CENTEX HOMES
3300 DOUGLAS BLVD
STE. 210 95661

Nature of Work: MP1922 2 STORY 9 ROOM SFD

CONSTRUCTION LENDING AGENCY: I hereby affirm under penalty of perjury that there is a construction lending agency for the performance of the work for which this permit is issued (Sec. 3097, Civ. C).

Lender's Name N/A Lender's Address _____

LICENSED CONTRACTORS DECLARATION: I hereby affirm under penalty of perjury that I am licensed under provisions of Chapter 9 (commencing with section 7000) of Division 3 of the Business and Professions Code and my license is in full force and effect.

License Class B License Number 734094 Date 5/14/99 Contractor Signature Debbie Stawee

OWNER-BUILDER DECLARATION: I hereby affirm under penalty of perjury that I am exempt from the contractors License Law for the following reason (Sec. 7031.5, Business and Professions Code; any city or county which requires a permit to construct, alter, improve, demolish, or repair any structure, prior to its issuance, also requires the applicant for such permit to file a signed statement that he or she is licensed pursuant to the provisions of the Contractors License Law (Chapter 9 (commencing with Section 7000) of Division 8 of the Business and Professions Code) or that he or she is exempt therefrom and the basis for the alleged exemption. Any violation of Section 7031.5 by any applicant for a permit subjects the applicant to a civil penalty of not more than five hundred dollars (\$500.00);

____ I, as a owner of the property, or my employees with wages as their sole compensation, will do the work, and the structure is not intended or offered for sale (Sec. 7044, Business and Professional Code: The Contractors License Law does not apply to an owner of property who builds or improves thereon, and who does such work himself or herself or through his/her own employees, provided that such improvements are not intended or offered for sale. If, however, the building or improvement is sold within one year of completion, the owner-builder will have the burden of proving that he/she did not build or improve for the purpose of sale.)

____ I, as owner of the property, am exclusively contracting with licensed contractors to construct the project (Sec. 7044, Business and Professions Code: The Contractors License Law does not apply to an owner of property who builds or improves thereon, and who contracts for such projects with a contractor(s) licensed pursuant to the Contractors License Law).

____ I am exempt under Sec. _____ B & PC for this reason: _____

Date _____ Owner Signature _____

IN ISSUING THIS BUILDING PERMIT, the applicant represents, and the city relies on the representation of the applicant, that the applicant verified all measurements and locations shown on the application or accompanying drawings and that the improvement to be constructed does not violate any law or private agreement relating to permissible or prohibited locations for such improvements. This building permit does not authorize any illegal location of any improvement or the violation of any private agreement relating to location of improvements.

I certify that I have read this application and state that all information is correct. I agree to comply with all city and county ordinances and state laws relating to building construction and herby authorize representative(s) of this city to enter upon the abovementioned property for inspection purposes.

Date 5-14-99 Applicant/Agent Signature Debbie Stawee

WORKER'S COMPENSATION DECLARATION: I hereby affirm under penalty of perjury one of the following declarations:

____ I have and will maintain a certificate of consent to self-insure for workers' compensation as provided for by Section 3700 of the Labor Code, for the performance of work for which the permit is issued.

I have and will maintain workers' compensation insurance, as required by Section 3700 of the Labor Code, for the performance of the work for which this permit is issued. My workers' compensation insurance carrier and policy number are:

Carrier AMER. GUAR. & LIAB. INS. Policy Number WC8322096-02 Exp Date 10/01/1999

____ (This section need not be completed if the permit is for \$100 or less) I certify that in the performance of the work for which this permit is issued, I shall not employ any person in any manner so as to become subject to the workers' compensation laws of California and agree that if I should become subject to the workers' compensation provisions of Section 3700 of the Labor Code, I shall forthwith comply with those provisions.

Date 5-14-99 Applicant Signature Debbie Stawee

WARNING: FAILURE TO SECURE WORKER'S COMPENSATION COVERAGE IS UNLAWFUL AND SHALL SUBJECT AN EMPLOYER TO CRIMINAL PENALTIES AND CIVIL FINES UP TO ONE HUNDRED THOUSAND DOLLARS (\$100,000) IN ADDITION TO THE COST OF COMPENSATION, DAMAGES AS PROVIDED FOR IN SECTION 3706 OF THE LABOR CODE, INTEREST AND ATTORNEY'S FEE.

THIS PERMIT SHALL EXPIRE BY LIMITATION IF WORK IS NOT COMMENCED WITHIN 180 DAYS.

COUNTY SANITATION DISTRICT NO. 1
 SACRAMENTO-REGIONAL COUNTY SANITATION DISTRICT
SEWER IMPACT FEE
 PERMIT AND CALCULATION SHEET

APPLICATION NO:	BLDG PERMIT NO: <i>City</i>
GENERAL INFORMATION	THIS PERMIT GOOD ONLY WHEN VALIDATED BY THE CASHIER <i>251572 5-14-99</i>
	- DEPT 26 \$2,593.00 - TR 389223 05/14/99 - RECEIPT 692260 051 \$0,593.00
	THIS PERMIT TO CONNECT EXPIRES ONE YEAR FROM DATE OF ISSUANCE

FEE CALCULATION		BUILDING USE	
INSPECTION	<i>0</i>	RESIDENTIAL SF <input type="checkbox"/>	MF <input type="checkbox"/>
CSD-1	<i>208.-</i>	COMMERCIAL USE	UNITS
SRCSD	<i>2385.-</i>		
CONSTRUCTION			
IN-LIEU			
TOTAL FEE	<i>2593.-</i>		

APN: *225-1100-023*

DESCRIPTION/SUBDIVISION: *Arcadian Village* LOT: *23*

PROPERTY ADDRESS: *1861 Hawkhaven Way*

OWNER: *Center Homes*

MAILING ADDRESS: *3300 Douglas Blvd. #210*

CITY-STATE-ZIP: *Roseville CA 95661* PHONE: *786-8673*

ADDITIONAL FEES MAY BE DUE IF CHANGES IN USE INCREASE SEWER IMPACT.

APPLICANT SIGNATURE: *Debbi Stowers*

CONSOLIDATED UTILITY BILLING USE ONLY

ACCT _____ INPUT _____ START _____

INSPECTOR'S COPY

CERTIFICATION OF COMPLIANCE
SCHOOL DISTRICT DEVELOPMENT FEES

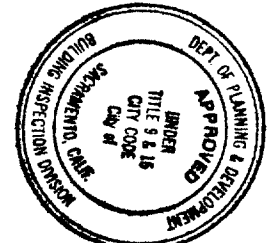
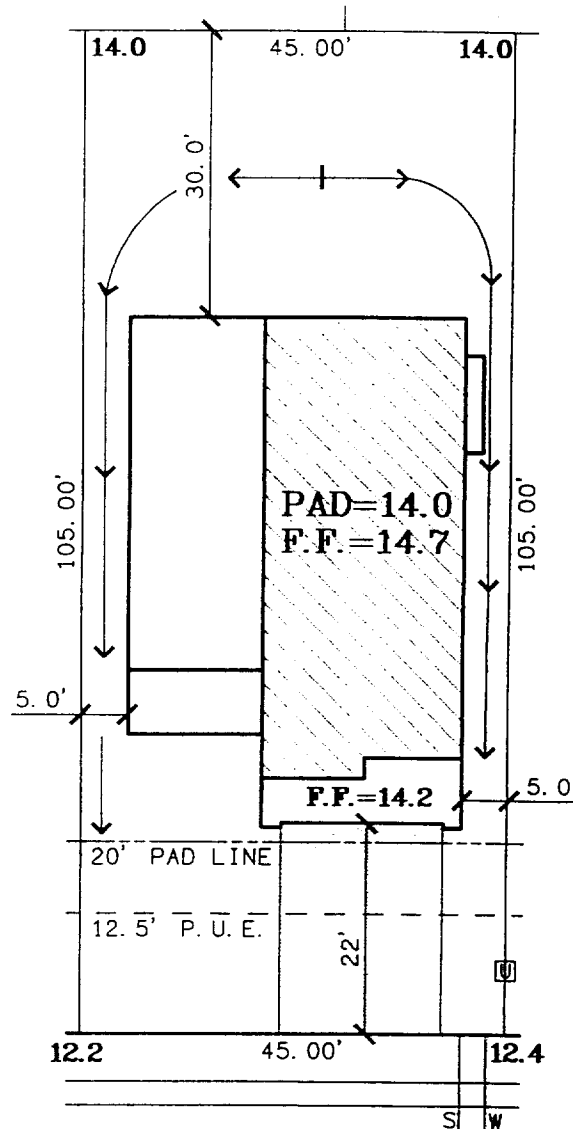
PART I: TO BE COMPLETED BY APPLICANT	
Property Owner's Name	Cortex Homes
Owner's Address	3300 Douglas Blvd #210 Roseville 95661
Project Address	1861 Hawkhaven Way' Lot 23
Parcel Number	225-1100-023
Subdivision Name	Northpointe # 5
Number of Units	1
Print Applicant's Name	Debbie Stowers
Title of Applicant	Permit Coordinator
Date	5-10-99
Applicant's Signature	<i>Debbie Stowers</i>
Telephone Number	786-8673
PART II: TO BE COMPLETED BY BUILDING DEPARTMENT	
Plan Identification Number	
Building Type (Check One)	
<input checked="" type="checkbox"/> Residential	<input type="checkbox"/> Apartment/Condominium
<input type="checkbox"/> Commercial/Industrial	
Square Feet of Chargeable Building Area	1922
Signature	<i>[Signature]</i>
Title	INSPECTING TECH
Date	5-10-99
PART III: TO BE COMPLETED BY NATOMAS UNIFIED SCHOOL DISTRICT	
District Certification Number	99-382
Fees Collected:	
Residential:	1922 Sq. Ft. X \$ 4.57 = \$ 8783.54
Apartment/Condominium:	Sq. Ft. X \$ = \$
Commercial/Industrial:	Sq. Ft. X \$ = \$
NOTICE TO APPLICANT: Pursuant to government code section 66020 (d), this will serve to notify you that the 90-day approval period in which you may protest the fees, or other payment identified above, will begin to run on the date in which the building or installation permit for this project is issued, or on which they are paid to the District, or to another public entity authorized to collect them on behalf of the District, whichever is earlier.	
Applicant Signature: _____	Date: _____

This certification covers only the amount of square footage indicated above. Any additions or corrections to the square footage for this project will require an amendment to the Certificate of Compliance.

As the authorize Natomas Unified School District official, I hereby certify that the requirements of Government Code Section 95995 have been complied with by the above signed applicant.

SIGNATURE: *[Signature]* DATE: 5/14/99
 TITLE: File

Note to Buyer: This plot plan is provided as a general layout of the property. All information on this plan, including but not limited to tree locations and sizes, setback dimensions, driveway grades, and wall heights and locations, are approximate and may vary or change without prior notice.



This set of plans and specifications must be kept on the job at all times and it is unlawful to make any changes or alterations from the same without written permission from the Building Inspection Division.
 The approval of this plan and specification SHALL NOT be held to permit or approve the violation of any City Ordinance or State Law.

1861 HAWKHAVEN WAY

LOT 23
 PLAN 1922C RIGHT
 A.P.N.: 225-1100-023
 ADDRESS: 1861 HAWKHAVEN WAY
 LOT AREA: 4,725 SF
 LOT COVERAGE: 37%

READ AND APPROVED
 Plan 1922 Land Development Sep 4/1999
 Elevation C Const. Manager _____
 Orientation CAR RIGHT Sales Appr. _____
 Color _____ Field Manager _____

The Splink Corporation
 2590 VENTURE OAKS WAY
 SACRAMENTO, CA 95833
 PH:(916)925-5550 FAX:(916)921-9274

CENTEX HOMES
 3300 Douglas Boulevard
 Suite 210
 Roseville, Ca. 95661
 office: (916) 786-8693
 fax: (916) 786-6802

NORTHPOINTE PARK
 UNIT NO. 5
 City of Sacramento, California
 Scale: 1"=20'
 REV Mar 4, 1999