

**CITY OF SACRAMENTO**  
1231 I Street, Sacramento, CA 95814

**Permit No: 0401365**  
**Insp Area: 4**  
**Thos Bros:**  
**Sub-Type: NSFR**  
**Housing (Y/N): N**

**Site Address: 3415 DUCKHORN DR SAC**  
**Parcel No: RYLAND COTTAGES LOT 91**

CONTRACTOR  
RYLAND HOMES  
1380 LEAD HILL BLVD. STE 108  
ROSEVILLE CA. 95661

OWNER  
RYLAND HOMES

ARCHITECT

**Nature of Work: MP1302 1 STORY 6 ROOM SFR**

**CONSTRUCTION LENDING AGENCY :** I hereby affirm under penalty of perjury that there is a construction lending agency for the performance of the work for which this permit is issued (Sec. 3097, Civ. C).

Lender's Name \_\_\_\_\_ Lender's Address \_\_\_\_\_

**LICENSED CONTRACTORS DECLARATION:** I hereby affirm under penalty of perjury that I am licensed under provisions of Chapter 9 (commencing with section 7000) of Division 3 of the Business and Professions Code and my license is in full force and effect.

License Class B License Number 054648 Date 3-18-04 Contractor Signature [Signature]

**OWNER-BUILDER DECLARATION:** I hereby affirm under penalty of perjury that I am exempt from the contractors License Law for the following reason (Sec. 7031.5, Business and Professions Code; any city or county which requires a permit to construct, alter, improve, demolish, or repair any structure, prior to its issuance, also requires the applicant for such permit to file a signed statement that he or she is licensed pursuant to the provisions of the Contractors License Law (Chapter 9 (commencing with Section 7000) of Division 8 of the Business and Professions Code) or that he or she is exempt therefrom and the basis for the alleged exemption. Any violation of Section 7031.5 by any applicant for a permit subjects the applicant to a civil penalty of not more than five hundred dollars (\$500.00);

\_\_\_\_ I, as a owner of the property, or my employees with wages as their sole compensation, will do the work, and the structure is not intended or offered for sale (Sec. 7044, Business and Professional Code: The Contractors License Law does not apply to an owner of property who builds or improves thereon, and who does such work himself or herself or through his/her own employees, provided that such improvements are not intended or offered for sale. If, however, the building or improvement is sold within one year of completion, the owner-builder will have the burden of proving that he/she did not build or improve for the purpose of sale.)

\_\_\_\_ I, as owner of the property, am exclusively contracting with licensed contractors to construct the project (Sec. 7044, Business and Professions Code: The Contractors License Law does not apply to an owner of property who builds or improves thereon, and who contracts with a contractor(s) licensed pursuant to the Contractors License Law).

\_\_\_\_ I am exempt under Sec. \_\_\_\_\_ B & PC for this reason: \_\_\_\_\_  
Date \_\_\_\_\_ Owner Signature \_\_\_\_\_

**PAID**  
**CITY OF SACRAMENTO**  
**MAR 18 2004**  
**NORTH PERMIT CENTER**

**IN ISSUING THIS BUILDING PERMIT,** the applicant represents, and the city relies on the representation of the applicant, that the applicant verified all measurements and locations shown on the application or accompanying drawings and that the improvement to be constructed does not violate any law or private agreement relating to permissible or prohibited locations for such improvements. This building permit does not authorize any illegal location of any improvement or the violation of any private agreement relating to location of improvements.

I certify that I have read this application and state that all information is correct. I agree to comply with all city and county ordinances and state laws relating to building construction and hereby authorize representative(s) of this city to enter upon the above mentioned property for inspection purposes.

Date 3-18-04 Applicant/Agent Signature [Signature]

**WORKER'S COMPENSATION DECLARATION:** I hereby affirm under penalty of perjury one of the following declarations:

\_\_\_\_ I have and will maintain a certificate of consent to self-insure for workers' compensation as provided for by Section 3700 of the Labor Code, for the performance of work for which the permit is issued.

I have and will maintain workers' compensation insurance, as required by Section 3700 of the Labor Code, for the performance of the work for which this permit is issued. My workers' compensation insurance carrier and policy number are:

Carrier AMERICAN HOME ASSURANCE Policy Number AOS WC7085227 Exp Date 06/01/2003

\_\_\_\_ (This section need not be completed if the permit is for \$100 or less) I certify that in the performance of the work for which this permit is issued, I shall not employ any person in any manner so as to become subject to the workers' compensation laws of California and agree that if I should become subject to the workers' compensation provisions of Section 3700 of the Labor Code, I shall forthwith comply with those provisions.

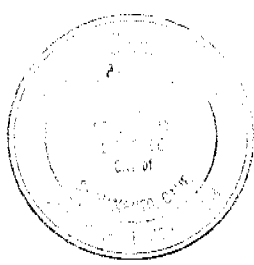
Date 3-18-04 Applicant Signature [Signature]

**WARNING: FAILURE TO SECURE WORKER'S COMPENSATION COVERAGE IS UNLAWFUL AND SHALL SUBJECT AN EMPLOYER TO CRIMINAL PENALTIES AND CIVIL FINES UP TO ONE HUNDRED THOUSAND DOLLARS (\$100,000) IN ADDITION TO THE COST OF COMPENSATION, DAMAGES AS PROVIDED FOR IN SECTION 3706 OF THE LABOR CODE, INTEREST AND ATTORNEY'S FEE.**

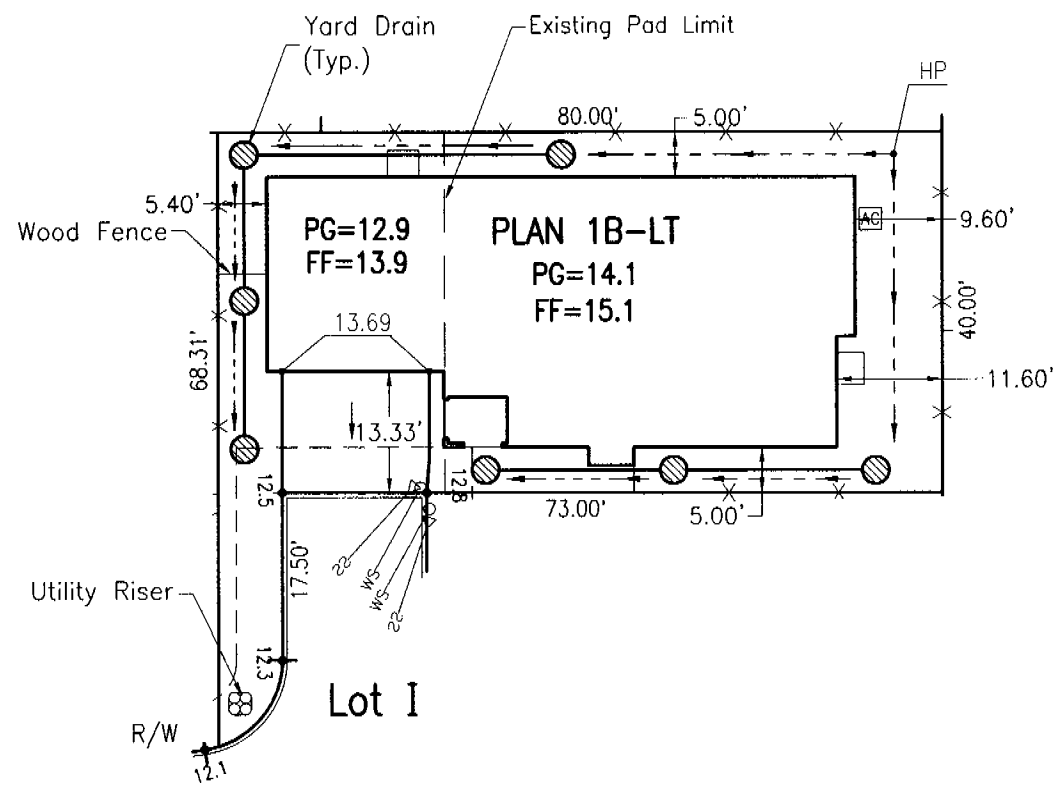
**THIS PERMIT SHALL EXPIRE BY LIMITATION IF WORK IS NOT COMMENCED WITHIN 180 DAYS.**

910T

This set of plans and specifications must be kept on the job at all times and it is unlawful to make any changes or alterations from the same without written permission from the Building Inspection Division.  
 The approval of this plan and specification SHALL NOT be held to permit or approve the violation of any City Ordinance or State Law.



SCALE : 1"=20'



Handwritten initials: 'AKL' and 'DC'.

DIMENSIONS SHOWN ARE APPROXIMATE, EXCEPT FOR MINIMUMS REQUIRED BY ORDINANCE. THIS PLOT DOES NOT REFLECT AS-BUILT CONDITIONS WHICH MAY VARY FROM THIS PLAN.

<p><b>BAKER-WILLIAMS ENGINEERING GROUP</b>          6020 Rulland Drive, Suite 19          Carmichael, California 95608          (916) 331-4336          (Fax) 331-4430</p>	<p>ENGINEERING SURVEYING PLANNING</p>	<p><i>Ryland Cottages</i> by Ryland Homes Inc.</p>		<p>SCALE : 1"=20'</p>
	<p><b>PLOT PLAN FOR LOT 91</b></p>		<p>Date: Oct 16, 2003</p>	
	<p>Address: 3415 Duckhorn Drive City of Sacramento, Sacramento Co.</p>		<p>Lot Area: 3380 s.f. A.P.N.: 225-1900-137</p>	<p>Revised:</p>
			<p>Drawn By: SAK</p>	<p>Job No.: 03-05-051</p>

# MULTIPLE INSPECTIONS REQUEST

INSP. AREA 4R

TOTAL= 1

INSPECTION DATE: 9/6/04

REQUEST DATE: 9/3/04

CONTRACTOR NAME:

~~RYLAND~~

CITY FAX: 808-8370

JOHN CORMEIR 240-9676

Inspection Type	LOT #	PERMIT #	ADDRESS
Final - correction	91	0401365	3415 Dune Horn Dr.

## PAPERLESS INSPECTIONS

T M  
14



Final-AP- 9-7-04 TAC-

**INSULATION CERTIFICATE**

THIS IS TO CERTIFY THAT INSULATION HAS BEEN INSTALLED IN CONFORMANCE WITH THE CURRENT ENERGY REGULATIONS, CALIFORNIA ADMINISTRATION CODE, TITLE 24, STATE OF CALIFORNIA, IN THE BUILDING LOCATED AT:

SITE ADDRESS LOT 91 LAS CASITAS SACRAMENTO CA  
NUMBER CITY STATE

**CEILINGS:**

BLOW: MANUFACTURER GREEN FIBER THICKNESS 8.1" R/VALUE 30  
SQUARE FEET 1131 #BAGS/LBS PER BAGS 42

BATTS: MANUFACTURER KNAUF THICKNESS 10.25" R/VALUE 30  
KNAUF

**EXTERIOR WALLS:**

MANUFACTURER KNAUF THICKNESS 3.5" R/VALUE 13  
KNAUF

**FLOOR INSULATION:**

MANUFACTURER KNAUF THICKNESS 3.5" R/VALUE 13  
KNAUF

**AIR INFILTRATION:** (TITLE 24)  
YES XXX NO       

OTHER: \_\_\_\_\_

GENERAL CONTRACTOR: RYLAND HOMES LICENSE # \_\_\_\_\_

BY: \_\_\_\_\_ TITLE \_\_\_\_\_ DATE \_\_\_\_\_

INSULATION CONTRACTOR: WESTERN INSULATION LP LICENSE # 794484

BY: Becky Gutierrez TITLE AUTH. AGENT DATE 7/28/04  
BECKY GUTIERREZ



DEPARTMENT OF  
UTILITIES

CITY OF SACRAMENTO  
CALIFORNIA

5730 24<sup>th</sup> St. Bldg. 8  
SACRAMENTO, CA  
95822-3699

FIELD SERVICES  
DIVISION  
Water Distribution- Meter Shop

PH 916-433-6229  
FAX 916-433-4036

To our customer:

Due to a supply problem, we will be using this document to substitute for an actual meter. This document may be shown to your inspector as proof that the City Of Sacramento is aware that you have purchased a meter and it will be installed as soon as possible.

Meter Address: 3415 Duckhorn Dr

Utilities Leadworker: Chuck Baesgaard

Cell Phone: 798 4737

Date: 8-24-04