

CITY OF SACRAMENTO
1231 I Street, Sacramento, CA 95814

Permit No: 9909285
Insp Area: 4

Site Address: 1812 HAWKHAVEN WY SAC
Parcel No: 225-1100-044
N

Sub-Type: NSFR
Housing (Y/N):
NORHTPOINTE PARK VIL# 5 LOT44

CONTRACTOR
CENTEX HOMES
3300 DOUGLAS BLVD
S77-2109566

OWNER

ARCHITECT

Nature of Work: 2 STORY 5 ROOM SFD

CONSTRUCTION LENDING AGENCY: I hereby affirm under penalty of perjury that there is a construction lending agency for the performance of the work for which this permit is issued (Sec. 3097, Civ. C).

Lender's Name _____ Lender's Address _____

LICENSED CONTRACTORS DECLARATION: I hereby affirm under penalty of perjury that I am licensed under provisions of Chapter 9 (commencing with section 7000) of Division 3 of the Business and Professions Code and my license is in full force and effect.

License Class _____ License Number 734014 Date 10-1-99 Contractor Signature Debbie Stawie

OWNER-BUILDER DECLARATION: I hereby affirm under penalty of perjury that I am exempt from the contractors License Law for the following reason (Sec. 7031.5, Business and Professions Code: any city or county which requires a permit to construct, alter, improve, demolish, or repair any structure, prior to its issuance, also requires the applicant for such permit to file a signed statement that he or she is licensed pursuant to the provisions of the Contractors License Law (Chapter 9 (commencing with Section 7000) of Division 8 of the Business and Professions Code) or that he or she is exempt therefrom and the basis for the alleged exemption. Any violation of Section 7031.5 by any applicant for a permit subjects the applicant to a civil penalty of not more than five hundred dollars (\$500.00):

_____ as a owner of the property, or my employees with wages as their sole compensation, will do the work, and the structure is not intended or offered for sale (Sec. 7044, Business and Professional Code: The Contractors License Law does not apply to an owner of property who builds or improves thereon, and who does such work himself or herself or through his/her own employees, provided that such improvements are not intended or offered for sale. If, however, the building or improvement is sold within one year of completion, the owner-builder will have the burden of proving that he/she did not build or improve for the purpose of sale.)

_____ I, as owner of the property, am exclusively contracting with licensed contractors to construct the project (Sec. 7044, Business and Professions Code). The Contractors License Law does not apply to an owner of property who builds or improves thereon, and who contracts for such projects with a contractor(s) licensed pursuant to the Contractors License Law.

_____ I am exempt under Sec. _____ B & PC for this reason: _____

Date _____ Owner Signature _____

IN ISSUING THIS BUILDING PERMIT, the applicant represents, and the city relies on the representation of the applicant, that the applicant verified all measurements and locations shown on the application or accompanying drawings and that the improvement to be constructed does not violate any law or private agreement relating to permissible or prohibited locations for such improvements. This building permit does not authorize any illegal location of any improvement or the violation of any private agreement relating to location of improvements.

I certify that I have read this application and state that all information is correct. I agree to comply with all city and county ordinances and state laws relating to building construction and hereby authorize representative(s) of this city to enter upon the abovementioned property for inspection purposes.

Date 10-1-99 Applicant/Agent Signature Debbie Stawie

WORKER'S COMPENSATION DECLARATION: I hereby affirm under penalty of perjury one of the following declarations:

_____ I have and will maintain a certificate of consent to self-insure for workers' compensation as provided for by Section 3700 of the Labor Code, for the performance of work for which the permit is issued.

I have and will maintain workers' compensation insurance, as required by Section 3700 of the Labor Code, for the performance of the work for which this permit is issued. My workers' compensation insurance carrier and policy number are:

Carrier: AMER. GUAR. & LIAB. INS. Policy Number WC8322096-02 Exp Date 10/01/1999

_____ (This section need not be completed if the permit is for \$100 or less) I certify that in the performance of the work for which this permit is issued, I shall not employ any person in any manner so as to become subject to the workers' compensation laws of California and agree that if I should become subject to the workers' compensation provisions of Section 3700 of the Labor Code, I shall forthwith comply with those provisions.

Date 10-1-99 Applicant Signature Debbie Stawie

WARNING: FAILURE TO SECURE WORKER'S COMPENSATION COVERAGE IS UNLAWFUL AND SHALL SUBJECT AN EMPLOYER TO CRIMINAL PENALTIES AND CIVIL FINES UP TO ONE HUNDRED THOUSAND DOLLARS (\$100,000) IN ADDITION TO THE COST OF COMPENSATION, DAMAGES AS PROVIDED FOR IN SECTION 3706 OF THE LABOR CODE, INTEREST AND ATTORNEY'S FEE.

THIS PERMIT SHALL EXPIRE BY LIMITATION IF WORK IS NOT COMMENCED WITHIN 180 DAYS.

RESIDENTIAL BUILDING PERMIT APPLICATION

New Construction Addition Remodels Other

Project Address: 1812 Hawkhaven Way Assessor Parcel # 225-1100-044

OWNER INFORMATION: LOT 44

Legal Property Owner: Center Homes Phone # 736-8693
Owner Address: 3700 Douglas Blvd #150 City Roseville State CA Zip 95661

CONTRACTOR INFORMATION:

Contractor: Center Homes Lic. # 734094 Phone # 736-8693 Fax# 736-6802

PROJECT INFORMATION:

Land Use Zone RIA Occupancy Group R3 Construction Type VN Fed Code IA
No. of stories: 2 No. of rooms: _____ Street width: _____
1st Floor Area 871 2nd Floor Area 732 Basement _____ Roof Material _____

AREA IN SQUARE FOOT OF:	EXISTING	NEW
Dwelling/Living	_____	<u>1603</u>
Garage/Storage	_____	<u>437</u>
Decks/Balconies	_____	_____
Carports	_____	_____

SCOPE OF WORK: MP 1603 New SFR

FOR OFFICE USE ONLY

- Information above complete
- Violation files checked
- Standard setbacks
- County Sewer
- AR Flood Waiver required
- Flood Elevation Certificate Required
- Water Development Infill Area
- Planning Approval
- Design Review Approval
- Special Fee Districts Apply : _____

NEW STRUCTURES & ADDITIONS

❖ THE FOLLOWING MUST BE PROVIDED IN ORDER TO SUBMIT FOR PLAN REVIEW

- 2 COMPLETE PLANS, LEGIBLE & DRAWN TO SCALE
 - 3 SETS IF PROJECT IS IN A DESIGN REVIEW AREA
 - Title 24 Energy Compliance documentation
 - Grading and Erosion Control Questionnaire
 - 11" x 17" copy of floor plan for County Assessor
 - Plan Review Fees
- ❖ Plans to include: site plan, floor plan, elevations, roof/ceiling plan, foundation and structural framing details, and structural calculations for non-conforming structures.

Date: _____ Received by: (staff) _____

ACTIVITY/PERMIT #
AUG 17 1999

Natomas Unified School District
 1515 Sports Drive, #1 • Sacramento, CA 95834-1905
 Phone 916/641-3300 • Fax 916/928-1629

CERTIFICATION OF COMPLIANCE

SCHOOL DISTRICT DEVELOPMENT FEES

PART I: TO BE COMPLETED BY APPLICANT			
Property Owner's Name	CENTEX HOMES		
Owner's Address	3700 DOUGLAS BLVD. #150, ROSEVILLE 95661		
Project Address	1812 HAWKHAVEN WAY, SACRAMENTO LOT 44		
Parcel Number	225-1100-044		
Subdivision Name	NORTHPOINTE 5		
Number of Units	1		
Print Applicant's Name	DEBBIE STOWERS	Applicant's Signature	<i>Debbie Stowers</i>
Title of Applicant	PERMIT COORDINATOR		
Date	9-27-99	Telephone Number	(916) 786-8693
PART II: TO BE COMPLETED BY BUILDING DEPARTMENT			
Plan Identification Number			
Building Type (Check One)	<input checked="" type="checkbox"/> Residential <input type="checkbox"/> Apartment/Condominium <input type="checkbox"/> Commercial/Industrial		
Square Feet of Chargeable Building Area	1603		
Signature	<i>[Signature]</i>		
Title	Permitting	Date	10-1-99
PART III: TO BE COMPLETED BY NATOMAS UNIFIED SCHOOL DISTRICT			
District Certification Number	376		
Fees Collected:			
Residential:	1603	Sq. Ft. X \$ 3.07	= \$ 4937.24
Apartment/Condominium:		Sq. Ft. X \$	= \$
Commercial/Industrial:		Sq. Ft. X \$	= \$
NOTICE TO APPLICANT: Pursuant to government code section 66020 (d), this will serve to notify you that the 90-day approval period in which you may protest the fees, or other payment identified above, will begin to run on the date in which the building or installation permit for this project is issued, or on which they are paid to the District, or to another public entity authorized to collect them on behalf of the District, whichever is earlier.			
Applicant Signature: _____		Date: _____	

This certification covers only the amount of square footage indicated above. Any additions or corrections to the square footage for this project will require an amendment to the Certificate of Compliance.

As the authorize Natomas Unified School District official, I hereby certify that the requirements of Government Code Section 95995 have been complied with by the above signed applicant.

SIGNATURE: *[Signature]* DATE: 10/1/99
 TITLE: _____

INSULATION CERTIFICATE

THIS IS TO CERTIFY THAT INSULATION HAS BEEN INSTALLED IN CONFORMANCE WITH THE CURRENT ENERGY REGULATIONS, CALIFORNIA ADMINISTRATION CODE, TITLE 24, STATE OF CALIFORNIA, IN THE BUILDING LOCATED AT:

SITE ADDRESS: lot 44 Northpointe Sacramento CA
NUMBER STREET CITY STATE

CEILING:

BLOW: Manufacturer Greenstone Thickness 10.3" R/Value 38

Square Feet 258 # Bags/Lbs. per bags 26

BATTS: Manufacturer Johns Manville Thickness 13" R/Value 38

EXTERIOR WALLS:

Manufacturer Johns Manville Thickness 3.5" R/Value 13
6.25" R/Value 19

FLOOR INSULATION:

Manufacturer _____ Thickness _____ R/Value _____

AIR INFILTRATION: (TITLE 24)

Yes XX No _____

OTHER:

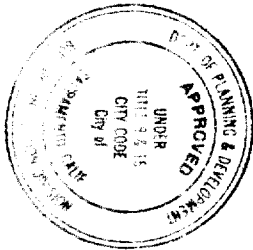
GENERAL CONTRACTOR: Centex Homes LIC. # _____

BY: _____ TITLE _____ DATE _____

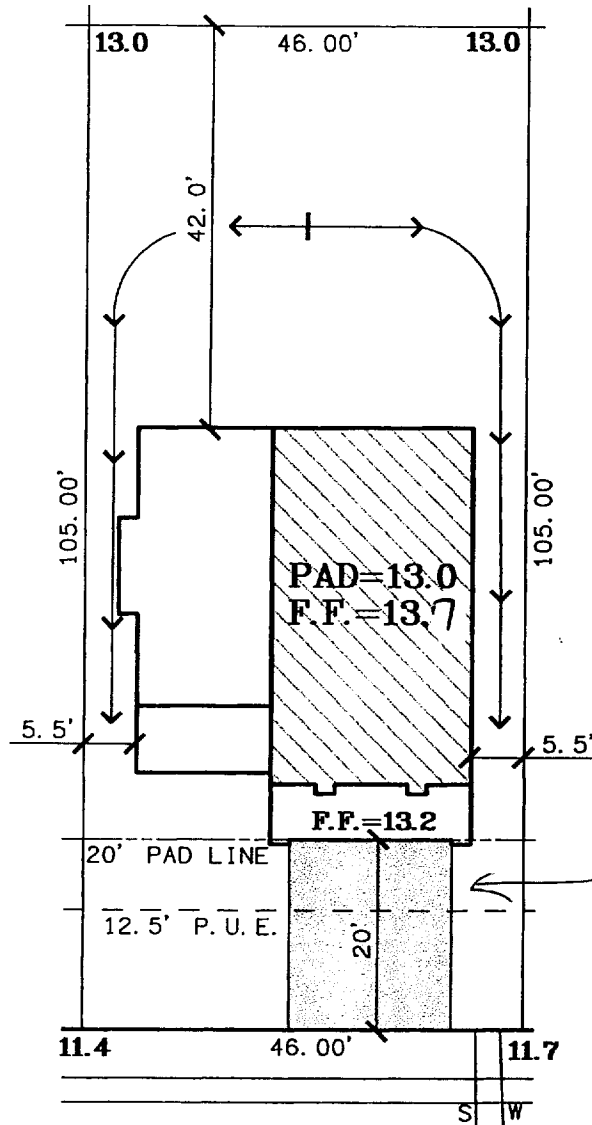
INSULATION CONTRACTOR: Western Insulation, Inc. LIC. # 481278

BY: James Blair TITLE Auth. Agent DATE 2/16/00

Note to Buyer: This plot plan is provided as a general layout of the property. All information on this plan, including but not limited to tree locations and sizes, setback dimensions, driveway grades, and wall heights and locations, are approximate and may vary or change without prior notice.



This set of plans and specifications must be kept on the job at all times and it is unlawful to make any changes or alterations from the same without written permission from the Building Inspection Division.
The approval of this plan and specification SHALL NOT be held to approve the violation of any City Ordinance or State Law



1812 HAWKHAVEN WAY

LOT 44
PLAN 1603B RIGHT
A.P.N.:
ADDRESS: 1812 HAWKHAVEN WAY
LOT AREA: 4,830 SF
LOT COVERAGE: 29%

READ AND APPROVED
 Plan 1603 Land Development SJ 8/16/99
 Elevation B Const. Manager _____
 Orientation CAR RIGHT Sales Appr. _____
 Color _____ Field Manager _____

The Spink Corporation
 2590 VENTURE OAKS WAY
 SACRAMENTO, CA. 95833

CENTEX HOMES
 3700 Douglas Boulevard
 Suite 150
 Roseville, Ca. 95661

NORTHPOINTE PARK
UNIT NO. 5
 City of Sacramento, California

PH:(916)925-5550 FAX:(916)921-9274

office: (916) 786-8693
 fax: (916) 786-6802

Scale: 1"=20'

August 16, 1999