

**CITY OF SACRAMENTO**  
1231 I Street, Sacramento, CA 95814

**Permit No: 0006252**  
**Insp Area: 4**

**Site Address: 5342 WADSWORTH WY SAC**  
Parcel No: 201-0380-008 LOT 8 NORTHBR VIL 4

Sub-Type: NSFR  
Housing (Y/N): N

CONTRACTOR  
MORRISON HOMES  
11344 COLOMA RD  
GOLD RIVER CA 95670

OWNER

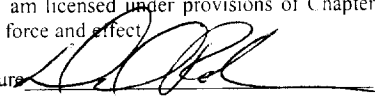
ARCHITECT

**Nature of Work: NSFR MP2265 9 RMS 2 STORY**

**CONSTRUCTION LENDING AGENCY:** I hereby affirm under penalty of perjury that there is a construction lending agency for the performance of the work for which this permit is issued (Sec. 3097, Civ. C).

Lender's Name \_\_\_\_\_ Lender's Address \_\_\_\_\_

**LICENSED CONTRACTORS DECLARATION:** I hereby affirm under penalty of perjury that I am licensed under provisions of Chapter 9 commencing with section 7000) of Division 3 of the Business and Professions Code and my license is in full force and effect.

License Class B License Number 519469 Date 6-23-00 Contractor Signature 

**OWNER-BUILDER DECLARATION:** I hereby affirm under penalty of perjury that I am exempt from the contractors License Law for the following reason (Sec. 7031.5, Business and Professions Code; any city or county which requires a permit to construct, alter, improve, demolish, or repair any structure, prior to its issuance, also requires the applicant for such permit to file a signed statement that he or she is licensed pursuant to the provisions of the Contractors License Law (Chapter 9 (commencing with Section 7000) of Division 8 of the Business and Professions Code) or that he or she is exempt therefrom and the basis for the alleged exemption. Any violation of Section 7031.5 by any applicant for a permit subjects the applicant to a civil penalty of not more than five hundred dollars (\$500.00):

\_\_\_\_ I, as a owner of the property, or my employees with wages as their sole compensation, will do the work, and the structure is not intended or offered for sale (Sec. 7044, Business and Professional Code: The Contractors License Law does not apply to an owner of property who builds or improves thereon, and who does such work himself or herself or through his/her own employees, provided that such improvements are not intended or offered for sale. If, however, the building or improvement is sold within one year of completion, the owner-builder will have the burden of proving that he/she did not build or improve for the purpose of sale.)

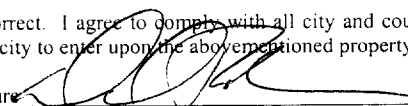
\_\_\_\_ I, as owner of the property, am exclusively contracting with licensed contractors to construct the project (Sec. 7044, Business and Professions Code: The Contractors License Law does not apply to an owner of property who builds or improves thereon, and who contracts for such projects with a contractor(s) licensed pursuant to the Contractors License Law).

\_\_\_\_ I am exempt under Sec. \_\_\_\_\_ B & PC for this reason: \_\_\_\_\_

Date \_\_\_\_\_ Owner Signature \_\_\_\_\_

**IN ISSUING THIS BUILDING PERMIT,** the applicant represents, and the city relies on the representation of the applicant, that the applicant verified all measurements and locations shown on the application or accompanying drawings and that the improvement to be constructed does not violate any law or private agreement relating to permissible or prohibited locations for such improvements. This building permit does not authorize any illegal location of any improvement or the violation of any private agreement relating to location of improvements.

I certify that I have read this application and state that all information is correct. I agree to comply with all city and county ordinances and state laws relating to building construction and hereby authorize representative(s) of this city to enter upon the above mentioned property for inspection purposes.

Date 6-23-00 Applicant/Agent Signature 

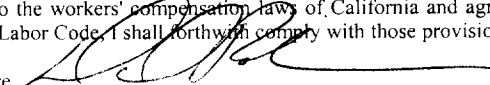
**WORKER'S COMPENSATION DECLARATION:** I hereby affirm under penalty of perjury one of the following declarations:

\_\_\_\_ I have and will maintain a certificate of consent to self-insure for workers' compensation as provided for by Section 3700 of the Labor Code, for the performance of work for which the permit is issued.

✓ I have and will maintain workers' compensation insurance, as required by Section 3700 of the Labor Code, for the performance of the work for which this permit is issued. My workers' compensation insurance carrier and policy number are:

Carrier ZURICH-AMERICAN INS. CO. Policy Number WC2815412-01 Exp Date 11/01/1999

\_\_\_\_ (This section need not be completed if the permit is for \$100 or less) I certify that in the performance of the work for which this permit is issued, I shall not employ any person in any manner so as to become subject to the workers' compensation law of California and agree that if I should become subject to the workers' compensation provisions of Section 3700 of the Labor Code, I shall forthwith comply with those provisions.

Date 6-23-00 Applicant Signature 

**WARNING:** FAILURE TO SECURE WORKER'S COMPENSATION COVERAGE IS UNLAWFUL AND SHALL SUBJECT AN EMPLOYER TO CRIMINAL PENALTIES AND CIVIL FINES UP TO ONE HUNDRED THOUSAND DOLLARS (\$100,000) IN ADDITION TO THE COST OF COMPENSATION, DAMAGES AS PROVIDED FOR IN SECTION 3706 OF THE LABOR CODE, INTEREST AND ATTORNEY'S FEE.

**THIS PERMIT SHALL EXPIRE BY LIMITATION IF WORK IS NOT COMMENCED WITHIN 180 DAYS.**

# RESIDENTIAL BUILDING PERMIT APPLICATION

- New Construction     
  Addition     
  Remodels     
  Other

Project Address: 5342 Wadsworth Way      Assessor Parcel # 201-0380-008

**OWNER INFORMATION:**

Legal Property Owner: Morrison Homes      Phone # 355-8900  
 Owner Address: 1130 Iron Point Rd #120 City Folsom      State CA      Zip 95630

**CONTRACTOR INFORMATION:**

Contractor: Morrison Homes      Lic. # 519465      Phone # 355-8900      Fax# 355-0100

**PROJECT INFORMATION:**

Land Use Zone R1A      Occupancy Group R3      Construction Type V-N      Fed Code 1A  
 No. of stories: 2      No. of rooms: 9      Street width: \_\_\_\_\_  
 1<sup>st</sup> Floor Area 1056      2<sup>nd</sup> Floor Area 1199      Basement \_\_\_\_\_      Roof Material \_\_\_\_\_

AREA IN SQUARE FOOT OF:	EXISTING	NEW
Dwelling/Living	_____	<u>2265</u>
Garage/Storage	_____	<u>474</u>
Decks/Balconies	_____	<u>106</u>
Carports	_____	_____

SCOPE OF WORK: New Single Family Dwelling

**FOR OFFICE USE ONLY**

- |   |   |  |
|---|---|--|
| <input type="checkbox"/> Information above complete | <input type="checkbox"/> AR Flood Waiver required             | <input type="checkbox"/> Planning Approval                   |
| <input type="checkbox"/> Violation files checked    | <input type="checkbox"/> Flood Elevation Certificate Required | <input type="checkbox"/> Design Review Approval              |
| <input type="checkbox"/> Standard setbacks          | <input type="checkbox"/> Water Development Infill Area        | <input type="checkbox"/> Special Fee Districts Apply : _____ |
| <input type="checkbox"/> County Sewer               |   |  |

**NEW STRUCTURES & ADDITIONS**

❖ THE FOLLOWING MUST BE PROVIDED IN ORDER TO SUBMIT FOR PLAN REVIEW

- |   |   |
|---|---|
| <input type="checkbox"/> 2 COMPLETE PLANS, LEGIBLE & DRAWN TO SCALE   | ❖ Plans to include: site plan, floor plan, elevations, roof/ceiling plan, foundation and structural framing details, and structural calculations for non-performing structures. |
| <input type="checkbox"/> 3 SETS IF PROJECT IS IN A DESIGN REVIEW AREA |   |
| <input type="checkbox"/> Title 24 Energy Compliance documentation     | <input type="checkbox"/> 1 - 17" copy of floor plan for County Assessor   |
| <input type="checkbox"/> Grading and Erosion Control Questionnaire    | <input type="checkbox"/> Plan Review Fees   |

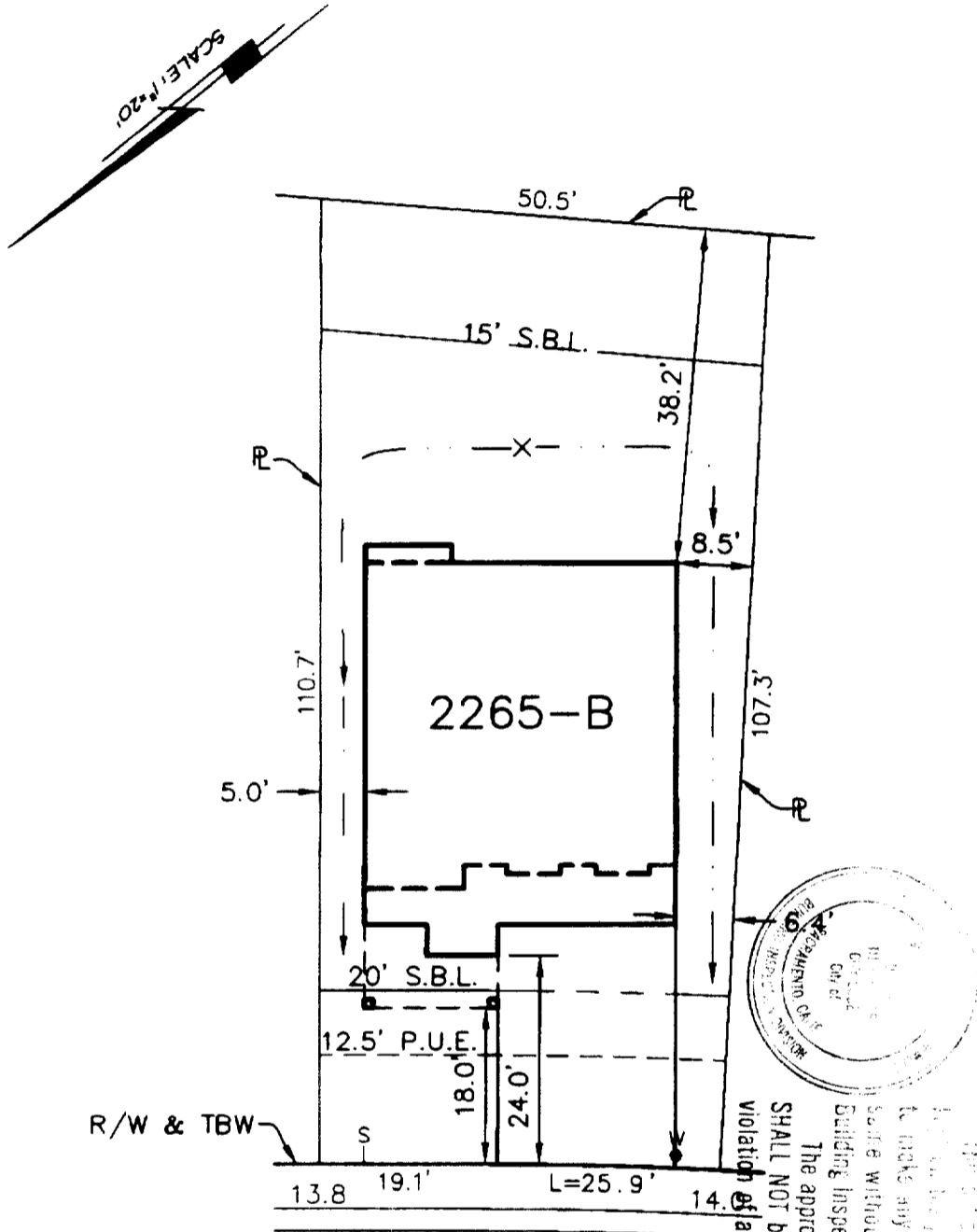
Date: \_\_\_\_\_ Received by: (staff) \_\_\_\_\_

ACTIVITY/PERMIT # \_\_\_\_\_

# Plot Plan

PAD: 15.4  
F.F.: \_\_\_\_\_

Lot conditions dictate custom development of each lot in relation to existing contours, adjacent lots and street improvements. Therefore, the contours of ungraded areas, the slopes and flat pads of graded areas, and the setback dimensions, as shown on the Plot Plan, are approximate and may vary when field construction is completed.



## WADSWORTH WAY

ASSESSOR'S PARCEL NO. 2010380-008  
ADDRESS 5342 Wadsworth Way

NOTE:  
It is understood that the drainage areas, slopes and grades shall not be altered, changed, blocked, modified or in any way be reconstructed by Owner contrary to what is depicted on this Plot Plan. THESE CONDITIONS RUN WITH THE LAND AND ARE BINDING ON ALL SUBSEQUENT OWNERS.

LOT AREA = 5,194 SF  
ALLOWED LOT COVERAGE = 40% = 2,078 SF  
ACTUAL LOT COVERAGE = 30% = 1,540 SF

Morrison Homes Rep. \_\_\_\_\_ Date \_\_\_\_\_  
Owner \_\_\_\_\_ Date \_\_\_\_\_

APPROVAL: [Signature] 5-24-00  
Morrison Homes Rep. \_\_\_\_\_ Date \_\_\_\_\_

NOTE: All setback dimensions and elevations as shown may be adjusted to fit field conditions.

**MORRISON HOMES  
VILLA COLLECTION  
LOT# 8**

CITY OF SACRAMENTO SACRAMENTO COUNTY CALIFORNIA

3222 Ramon Circle Sacramento CA 95827  
916 366-3040 Fax 916 366-3303

R.E.Y. ENGINEERS, Inc.  
Civil Engineers / Land Surveyors

JOB NO. 6022007  
DRAWN MAM  
CHECKED BT  
DATE 08-22-00  
SCALE P=1"