

CITY OF SACRAMENTO
1231 I Street, Sacramento, CA 95814

Permit No: 0401370

Insp Area: 4

Thos Bros:

Sub-Type: NSFR

Housing (Y/N): N

Site Address: 3401 DUCKHORN DR SAC
Parcel No: RYLAND COTTAGES LOT 93

CONTRACTOR
RYLAND HOMES
1380 LEAD HILL BLVD. STE 108
ROSEVILLE CA. 95661

OWNER
RYLAND HOMES

ARCHITECT

Nature of Work: MP1541 2 STORY 6 ROOM SFR

CONSTRUCTION LENDING AGENCY : I hereby affirm under penalty of perjury that there is a construction lending agency for the performance of the work for which this permit is issued (Sec. 3097, Civ. C).

Lender's Name _____ Lender's Address _____

LICENSED CONTRACTORS DECLARATION: I hereby affirm under penalty of perjury that I am licensed under provisions of Chapter 9 (commencing with section 7000) of Division 3 of the Business and Professions Code and my license is in full force and effect.

License Class B License Number 054648 Date 3-18-04 Contractor Signature [Signature]

OWNER-BUILDER DECLARATION: I hereby affirm under penalty of perjury that I am exempt from the contractors License Law for the following reason (Sec. 7031.5, Business and Professions Code; any city or county which requires a permit to construct, alter, improve, demolish, or repair any structure, prior to its issuance, also requires the applicant for such permit to file a signed statement that he or she is licensed pursuant to the provisions of the Contractors License Law (Chapter 9 (commencing with Section 7000) of Division 8 of the Business and Professions Code) or that he or she is exempt therefrom and the basis for the alleged exemption. Any violation of Section 7031.5 by any applicant for a permit subjects the applicant to a civil penalty of not more than five hundred dollars (\$500.00);

____ I, as a owner of the property, or my employees with wages as their sole compensation, will do the work, and the structure is not intended or offered for sale (Sec. 7044, Business and Professional Code: The Contractors License Law does not apply to an owner of property who builds or improves thereon, and who does such work himself or herself or through his/her own employees, provided that such improvements are not intended or offered for sale. If, however, the building or improvement is sold within one year of completion, the owner-builder will have the burden of proving that he/she did not build or improve for the purpose of sale.)

____ I, as owner of the property, am exclusively contracting with licensed contractors to construct the project (Sec. 7044, Business and Professions Code: The Contractors License Law does not apply to an owner of property who builds or improves thereon, and who contracts for such projects with a contractor(s) licensed pursuant to the Contractors License Law).

____ I am exempt under Sec. _____ B & PC for this reason: _____

Date _____ Owner Signature _____

PAID
CITY OF SACRAMENTO
MAR 18 2004
NORTH PERMIT CENTER

IN ISSUING THIS BUILDING PERMIT, the applicant represents, and the city relies on the representation of the applicant, that the applicant verified all measurements and locations shown on the application or accompanying drawings and that the improvement to be constructed does not violate any law or private agreement relating to permissible or prohibited locations for such improvements. This building permit does not authorize any illegal location of any improvement or the violation of any private agreement relating to location of improvements.

I certify that I have read this application and state that all information is correct. I agree to comply with all city and county ordinances and state laws relating to building construction and hereby authorize representative(s) of this city to enter upon the abovementioned property for inspection purposes.

Date 3-18-04 Applicant/Agent Signature [Signature]

WORKER'S COMPENSATION DECLARATION: I hereby affirm under penalty of perjury one of the following declarations:

____ I have and will maintain a certificate of consent to self-insure for workers' compensation as provided for by Section 3700 of the Labor Code, for the performance of work for which the permit is issued.

I have and will maintain workers' compensation insurance, as required by Section 3700 of the Labor Code, for the performance of the work for which this permit is issued. My workers' compensation insurance carrier and policy number are:

Carrier AMERICAN HOME ASSURANCE Policy Number AOS WC7085227 Exp Date 06/01/2003

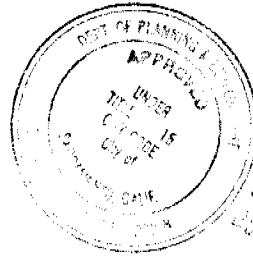
____ (This section need not be completed if the permit is for \$100 or less) I certify that in the performance of the work for which this permit is issued, I shall not employ any person in any manner so as to become subject to the workers' compensation laws of California and agree that if I should become subject to the workers' compensation provisions of Section 3700 of the Labor Code, I shall forthwith comply with those provisions.

Date 3-18-04 Applicant Signature [Signature]

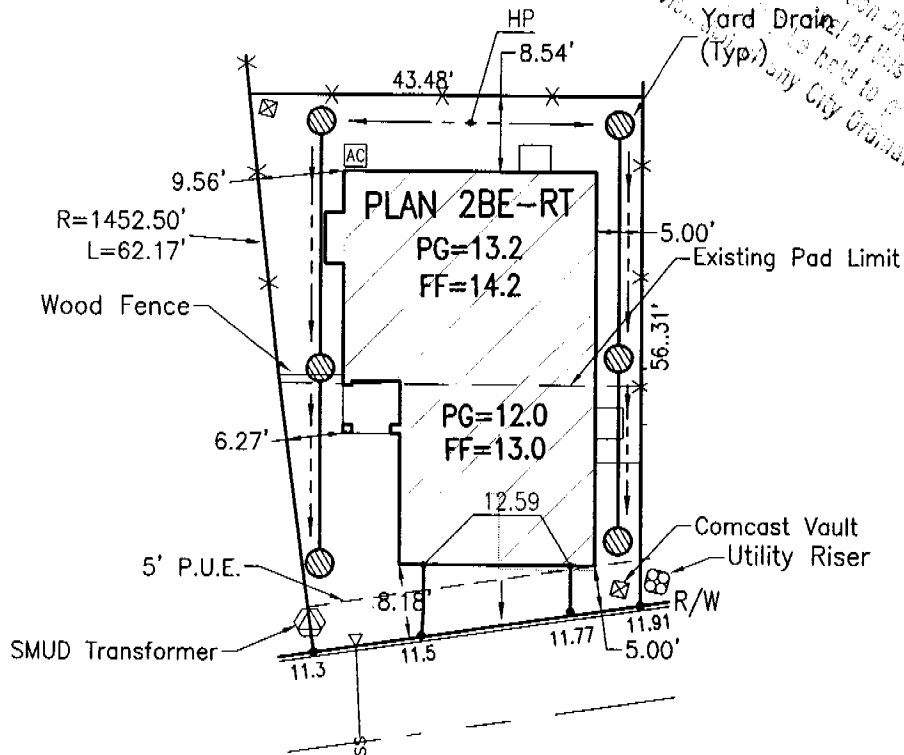
WARNING: FAILURE TO SECURE WORKER'S COMPENSATION COVERAGE IS UNLAWFUL AND SHALL SUBJECT AN EMPLOYER TO CRIMINAL PENALTIES AND CIVIL FINES UP TO ONE HUNDRED THOUSAND DOLLARS (\$100,000) IN ADDITION TO THE COST OF COMPENSATION, DAMAGES AS PROVIDED FOR IN SECTION 3706 OF THE LABOR CODE, INTEREST AND ATTORNEY'S FEE.

THIS PERMIT SHALL EXPIRE BY LIMITATION IF WORK IS NOT COMMENCED WITHIN 180 DAYS.

SCALE: 1"=20'



This set of plans and specifications must be kept on the job at all times and it is unlawful to make any change or alterations from the same without written permission from the Planning Department. The Planning Department is not held to grant or approve the plans if they are held to grant or approve the same without written permission from the Planning Department or State Law.



Lot J

Handwritten signature

Handwritten initials

DIMENSIONS SHOWN ARE APPROXIMATE, EXCEPT FOR MINIMUMS REQUIRED BY ORDINANCE. THIS PLOT DOES NOT REFLECT AS-BUILT CONDITIONS WHICH MAY VARY FROM THIS PLAN.

<p>ENGINEERING SURVEYING PLANNING BAKER-WILLIAMS ENGINEERING GROUP 6020 Rutland Drive, Suite 19 (916) 331-4336 Carmichael, California 95608 (Fax) 331-4430</p>	<p><i>Ryland Cottages</i> by Ryland Homes Inc.</p>		<p>SCALE : 1"=20'</p>	
	<p>PLOT PLAN FOR LOT 93</p>		<p>Date: Oct 16, 2003</p>	
	<p>Address: 3401 Duckhorn Drive City of Sacramento, Sacramento Co.</p>		<p>Lot Area: 2372 s.f. A.P.N.: 225-1900-139</p>	<p>Revised:</p>
				<p>Drawn By: SAK Job No.: 03-05-051</p>

23051

INSULATION CERTIFICATE

THIS IS TO CERTIFY THAT INSULATION HAS BEEN INSTALLED IN CONFORMANCE WITH THE CURRENT ENERGY REGULATIONS, CALIFORNIA ADMINISTRATION CODE, TITLE 24, STATE OF CALIFORNIA, IN THE BUILDING LOCATED AT:

SITE ADDRESS LOT 93 LAS CASITAS SACRAMENTO CA
NUMBER CITY STATE

CEILINGS:

BLOW: MANUFACTURER GREEN FIBER THICKNESS N/A R/VALUE N/A
SQUARE FEET _____ #BAGS/LBS PER BAGS _____

BATTS: MANUFACTURER KNAUF THICKNESS 10.25" 30
KNAUF _____

EXTERIOR WALLS:

MANUFACTURER KNAUF THICKNESS 3.5" R/VALUE 13
KNAUF _____

FLOOR INSULATION:

MANUFACTURER KNAUF THICKNESS 3.5" R/VALUE 13
KNAUF _____

AIR INFILTRATION: (TITLE 24)

YES XXX NO _____

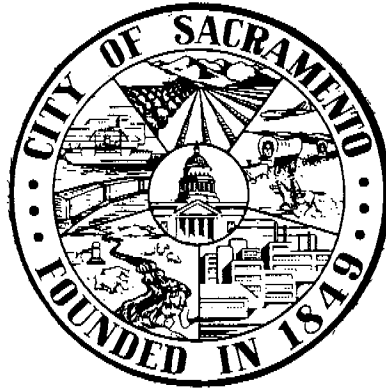
OTHER: _____

GENERAL CONTRACTOR: RYLAND HOMES LICENSE # _____

BY: _____ TITLE _____ DATE _____

INSULATION CONTRACTOR: WESTERN INSULATION LP LICENSE # 794484

BY: Becky Guthery TITLE AUTH. AGENT DATE 7/15/04
BECKY GUTHERZ



DEPARTMENT OF
UTILITIES

FIELD SERVICES
DIVISION
Water Distribution- Meter Shop

CITY OF SACRAMENTO
CALIFORNIA

5730 24th St. Bldg.8
SACRAMENTO, CA
95822-3699

PH 916-433-6229
FAX 916-433-4036

To our customer:

Due to a supply problem, we will be using this document to substitute for an actual meter. This document may be shown to your inspector as proof that the City Of Sacramento is aware that you have purchased a meter and it will be installed as soon as possible.

Meter Address: 3401 Duckhorn Dr

Utilities Leadworker: Chuck Barsuglia

Cell Phone: 798 4737

Date: 8-24-04