

MJS

CONSTRUCTION LENDING AGENCY

I hereby affirm under penalty of perjury that there is a construction lending agency for the performance of the work for which this permit is issued (Sec. 3097, Civ.C.).

Lenders Name _____
Lenders Address _____

LICENSED CONTRACTORS DECLARATION

I hereby affirm under penalty of perjury that I am licensed under provisions of Chapter 9 (commencing with Section 7060) of Division 3 of the Business and Professions Code and my license is in full force and effect.

Lic. Number: C45 License Class: C45
Contractor: Michael B. Dyer
Date: 1-14-03 (Signature)

OWNER - BUILDER DECLARATION

I hereby affirm under penalty of perjury that I am exempt from the Contractors License Law for the following reason (Sec. 7031.5, Business and Professions Code: Any city or county which requires a permit to construct, alter, improve, demolish, or repair any structure, prior to its issuance, also requires the applicant for such permit to file a signed statement that he or she is licensed pursuant to the provisions of the Contractors License Law (Chapter 9 (commencing with Section 7000) of Division 8 of the Business and Professions Code) or that he or she is exempt therefrom and the basis for the alleged exemption. Any violation of Section 7031.5 by any applicant for a permit subjects the applicant to a civil penalty of not more than five hundred dollars (\$500.00):

I, as owner of the property, or my employees with wages as their sole compensation, will do the work, and the structure is not intended or offered for sale (Sec. 7044, Business and Professions Code: The Contractors License Law does not apply to an owner of property who builds or improves thereon, and who does such work himself or herself or through his or her own employees, provided that such improvements are not intended or offered for sale. If, however, the building or improvement is sold within one year of completion, the owner-builder will have the burden of proving that he or she did not build or improve for the purpose of sale.)

I, as owner of the property, am exclusively contracting with licensed contractors to construct the project (Sec. 7044, Business and Professions Code: The Contractors License Law does not apply to an owner of property who builds or improves thereon, and who contracts for such projects with a contractor(s) licensed pursuant to the Contractors License Law).

I am exempt under Sec. _____ B & P C for this reason _____
Date _____ Owner _____ (Signature)

In issuing this building permit, the applicant represents, and the City relies on the representation of the applicant, that the applicant verified all measurements and locations shown on the application or accompanying drawings and that the improvement to be constructed does not violate any law or private agreement relating to permissible or prohibited locations for such improvements. This building permit does not authorize any illegal location of any improvement or the violation of any private agreement relating to location of improvements.

I certify that I have read this application and state that all information is correct. I agree to comply with all city and county ordinances and state laws relating to building construction and hereby authorize representative of this city to enter upon the abovementioned property for inspection purposes.

Date: 1-14-03 Signature of Applicant or Agent: Michael B. Dyer

SITE ADDRESS: 2201 J Street Sacramento CA 95816 SUITE: 1 INSP. AREA: _____

ASSESSOR PARCEL NO: 0287-2424-022 ADDRESS: 2201 J Street PERMIT NO.: 2303137

LICENSED CONTRACTOR: Elusand Elus Signs ADDRESS: 1111 Jellus Way ZIP CODE: 95815 PHONE NO.: (916) 924-1936

BUSINESS OWNER: Pete Andveith ADDRESS: 2201 J Street SIGN INFORMATION: 95816 (916) 442-7636

- ATTACHED INTERIOR / ELECT. SINGLE FACED
- ILLUMINATED NON-ILLUMINATED BILLBOARD / SUBDIVISION
- INDIVIDUAL LETTERS PAINTED ON BUILDING LOGO
- METAL POLE DOUBLE FACED
- PLASTIC MONUMENT VINYL/GATOR FOAM
- WOODEN PROJECTING RE-FACE

SIGN COPY: "D.E. Woodard Cleaner & Dryer"

5-22477 CITY OF SACRAMENTO PERMIT SERVICES
BUILDING INSPECTION DIVISION 264-7619

WORKERS' COMPENSATION DECLARATION

I hereby affirm under penalty of perjury one of the following declarations:

I have and will maintain a certificate of consent to self-insure for workers' compensation as provided for by Section 3700 of the Labor Code, for the performance of work for which the permit is issued.

I have and will maintain workers' compensation insurance, as required by Section 3700 of the Labor Code, for the performance of the work for which this permit is issued. My workers' compensation insurance carrier and policy number are:

Carrier: State Comp Insurance Fund
Policy Number: 15796A2-02

(This section need not be completed if the permit is for one hundred dollars (\$100) or less) I certify that in the performance of the work for which this permit is issued, I shall not employ any person in any manner so as to become subject to the workers' compensation laws of California and agree that if I should become subject to the workers' compensation provisions of Section 3700 of the Labor Code, I shall forthwith comply with those provisions.

Date: 1-14-03 Applicant: Michael B. Dyer (Signature)

WARNING: FAIL TO SECURE WORKERS' COMPENSATION COVERAGE IS UNLAWFUL AND SHALL SUBJECT AN EMPLOYER TO CRIMINAL PENALTIES AND CIVIL FINES UP TO ONE HUNDRED THOUSAND DOLLARS (\$100,000) IN ADDITION TO THE COST OF COMPENSATION DAMAGES AS PROVIDED FOR IN SECTION 3706 OF THE LABOR CODE, INTEREST AND ATTORNEY'S FEES.

THIS PERMIT SHALL EXPIRE BY LIMITATION IF WORK AUTHORIZED IS NOT COMMENCED WITHIN 180 DAYS.

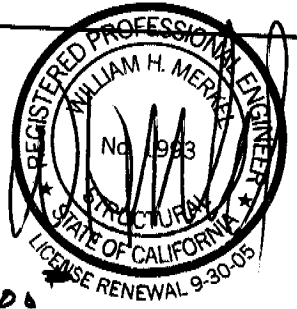
(A) HEIGHT: 4' (B) LENGTH: 11' 1/2"
(A X B) SIGN AREA: 44 sq. ft.
POLE SIZE: _____ FOOTING SIZE: _____
STREET FRONTAGE (FT): 100'
OCCUPANCY FRONTAGE (FT): 40'

ENGINEERING REQUIRED? YES NO APPROVED BY _____
DESIGN REVIEW REQUIRED? YES NO APPROVED BY _____
SPECIAL PERMIT REQUIRED? YES NO # _____
VARIANCE REQUIRED? YES NO # _____
LOCATED IN PLUD? YES NO WHICH PLUD? _____

SIGN VALIDATION
A. TYPE OF SIGN: PROJECTING SIGN
B. \$ _____ PER SQ. FT. X _____ SQ. FT. = \$ _____
APPROVED BY: MJS DATE: 2-28-03
DENIED BY: _____ DATE: _____

FINAL INSPECTIONS
BUILDING INSPECTOR: DSP DATE: 5-21-03
ELECTRICAL INSPECTOR: MIS DATE: 5-21-03
SIGN INSPECTOR: _____ DATE: _____

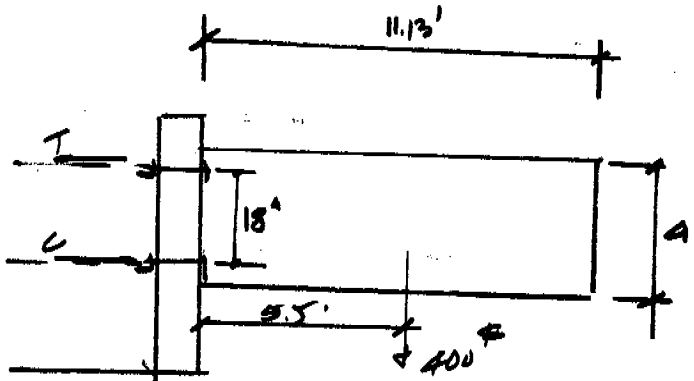
FEES:	DATE	RECEIVED	AMOUNT
SIGN APPLICATION FEE			
SIGN PERMIT FEE			
CITY BUSINESS LICENSE			
OTHER			
TOTAL \$			



DESIGN 2001 CBC

WIND - 75 MPH (EXP B - BUILD & TREES)

$$WIND = 14.5 \times 1.4 \times 1.67 = 13.6 \text{ #/SF}$$



SIGN WT = 400

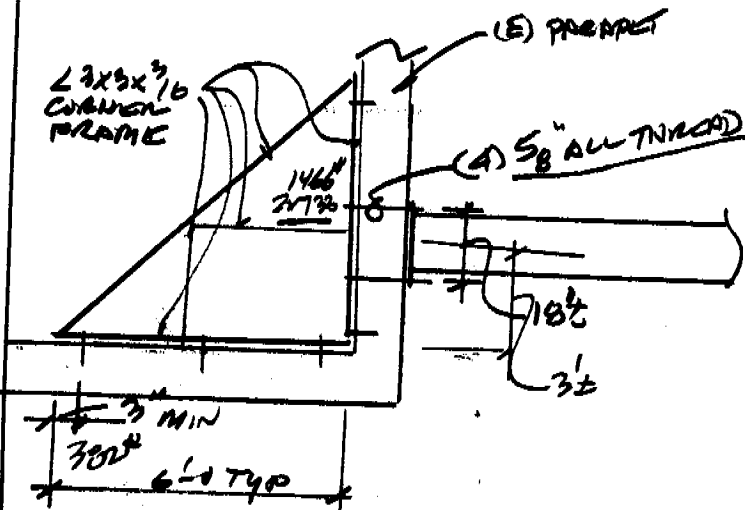
$$WIND = 4 \times 11.13 \times 13.6 = 605 \text{ #}$$

VERT -

$$T = \frac{400 \times 5.5}{2 \times 1.5} = 733 \text{ #} - 5/8 \text{ ALL THRD}$$

WIND

$$T = \frac{605 \times 5.5}{2 \times 1.5} = 1100 \text{ #} - 5/8 \text{ ALL THRD}$$



$$M_c = 733 \times \frac{3}{4} = 550 \text{ #}'$$

$$S_{req} = \frac{550 \times 12}{20,000} = 0.33 \text{ in}^3$$

$$3 \times 3 \times 3/16 - S = 0.441 \text{ OK}$$

C/W WIND

$$M_c = 1100 \times \frac{3}{4} = 825 \text{ #}'$$

$$S = \frac{825 \times 12}{20,000} = 22.5 \text{ ksi OK}$$

CONN TO TOP PRECAST

$$\frac{733 \times 2 \times 1.5}{6.75} = 382 \text{ #}$$

$$\frac{382}{305} = 1.1 \text{ " EMBED}$$

USE 1/2" X 4 LAG SCREW MIN TO WALL -

Approved By
 John Tang

John Tang

See microfilm