

CITY OF SACRAMENTO

1231 I Street, Sacramento, CA 95814

Permit No: 0005925

Insp Area: 4

Site Address: 3301 NORWOOD AV SAC

Parcel No: 250-0314-031

BLDG D

Sub-Type: NAPT

Housing (Y/N): N

CONTRACTOR

OWNER

EVERGREEN MUTUAL HOUSING

ARCHITECT

SACRAMENTO CA 95815-2744

Nature of Work: 4 UNIT APT BLDG. BLDG D

CONSTRUCTION LENDING AGENCY: I hereby affirm under penalty of perjury that there is a construction lending agency for the performance of the work for which this permit is issued (Sec. 3097, Civ. C.)

Lender's Name _____ Lender's Address _____

LICENSED CONTRACTORS DECLARATION: I hereby affirm under penalty of perjury that I am licensed under provisions of Chapter 9 (commencing with section 7000) of Division 3 of the Business and Professions Code and my license is in full force and effect.

License Class _____ License Number _____ Date _____ Contractor Signature _____

OWNER-BUILDER DECLARATION: I hereby affirm under penalty of perjury that I am exempt from the contractors License Law for the following reason (Sec. 7031.5, Business and Professions Code; any city or county which requires a permit to construct, alter, improve, demolish, or repair any structure, prior to its issuance, also requires the applicant for such permit to file a signed statement that he or she is licensed pursuant to the provisions of the Contractors License Law (Chapter 9 (commencing with Section 7000) of Division 8 of the Business and Professions Code) or that he or she is exempt therefrom and the basis for the alleged exemption. Any violation of Section 7031.5 by any applicant for a permit subjects the applicant to a civil penalty of not more than five hundred dollars (\$500.00).

____ I, as a owner of the property, or my employees with wages as their sole compensation, will do the work, and the structure is not intended or offered for sale (Sec. 7044, Business and Professional Code: The Contractors License Law does not apply to an owner of property who builds or improves thereon, and who does such work himself or herself or through his/her own employees, provided that such improvements are not intended or offered for sale. If, however, the building or improvement is sold within one year of completion, the owner-builder will have the burden of proving that he/she did not build or improve for the purpose of sale.)

I, as owner of the property, am exclusively contracting with licensed contractors to construct the project (Sec. 7044, Business and Professions Code: The Contractors License Law does not apply to an owner of property who builds or improves thereon, and who contracts for such projects with a contractor(s) licensed pursuant to the Contractors License Law).

I am exempt under Sec. _____ B & PC for this reason: _____

Date 8-31-00 Owner Signature [Signature]

IN ISSUING THIS BUILDING PERMIT, the applicant represents, and the city relies on the representation of the applicant, that the applicant verified all measurements and locations shown on the application or accompanying drawings and that the improvement to be constructed does not violate any law or private agreement relating to permissible or prohibited locations for such improvements. This building permit does not authorize any illegal location of any improvement or the violation of any private agreement relating to location of improvements.

I certify that I have read this application and state that all information is correct. I agree to comply with all city and county ordinances and state laws relating to building construction and hereby authorize representative(s) of this city to enter upon the abovementioned property for inspection purposes.

Date 8-31-00 Applicant/Agent Signature [Signature]

WORKER'S COMPENSATION DECLARATION: I hereby affirm under penalty of perjury one of the following declarations:

____ I have and will maintain a certificate of consent to self-insure for workers' compensation as provided for by Section 3700 of the Labor Code, for the performance of work for which the permit is issued.

____ I have and will maintain workers' compensation insurance, as required by Section 3700 of the Labor Code, for the performance of the work for which this permit is issued. My workers' compensation insurance carrier and policy number are:

Carrier _____ Policy Number _____ Exp Date _____

(This section need not be completed if the permit is for \$100 or less) I certify that in the performance of the work for which this permit is issued, I shall not employ any person in any manner so as to become subject to the workers' compensation laws of California and agree that if I should become subject to the workers' compensation provisions of Section 3700 of the Labor Code, I shall forthwith comply with those provisions.

Date 8-31-00 Applicant Signature [Signature]

WARNING FAILURE TO SECURE WORKER'S COMPENSATION COVERAGE IS UNLAWFUL AND SHALL SUBJECT AN EMPLOYER TO CRIMINAL PENALTIES AND CIVIL FINES UP TO ONE HUNDRED THOUSAND DOLLARS (\$100,000) IN ADDITION TO THE COST OF COMPENSATION, DAMAGES AS PROVIDED FOR IN SECTION 3706 OF THE LABOR CODE, INTEREST AND ATTORNEY'S FEE.

THIS PERMIT SHALL EXPIRE BY LIMITATION IF WORK IS NOT COMMENCED WITHIN 180 DAYS.

CITY OF SACRAMENTO

CERTIFICATE OF OCCUPANCY

For Information Contact (916) 264-5716

Building Address: 3301 Norwood Ave BLDG D Permit No. 00-05925

Building Use: Apartments Occupancy: R1

Building Owner: Evergreen Mutual Housing Construction Type: V-N

Owner Address: 3451 5th Ave, Sacramento Sprinkled? [] Yes [X] No

Portion of Building Occupied BLDG D Area: 4,950 Sq. Ft.

5/30/01

Date

Nicholas A. Buehler

By: Print

Sign

DENNIS RICHARDSON

CITY BUILDING OFFICIAL

[Finaled By GRD, JE, AC, SB, MG]

This Certificate, issued pursuant to the requirements of Section 109 of the Uniform Building Code, certifies that at time of issuance the described portion of the building has been inspected for compliance with the Uniform Building Code, as adopted per Title 15 of the Sacramento City Code for the group and division of occupancy and use for which the proposed occupancy is classified. Issuance of this certificate shall not be construed as an approval of a violation of any Codes, or Federal, State and City Laws or Ordinances. Certificates presuming to give authority to such violation shall not be valid. This certificate shall be posted in a conspicuous place on the premises and shall not be removed except by the City Building Official. No changes shall be made in the character of occupancy or use without approval of the City Building Official.

POST IN A CONSPICUOUS PLACE



SHIMOTSU
ARCHITECTURE

Brian Robertson
Walsh & Forster, Inc.
1300 S Street
Sacramento, CA 95814

May 21, 2001

Re: Plan Revisions, 3301 Norwood Avenue

Brian,

Your proposed Hilti "FS One" (UL Assembly FC2160) is an acceptable alternate to the 3M product shown on the drawings. Install per Hilti instructions (attached). Please call with any questions.

Thank you,

Dave Anders, Project Manager
Shimotsu Architecture, Inc.

Cc: Rob Sronce, Sacramento Mutual Housing

Monday 21 of May 2001, Faxination

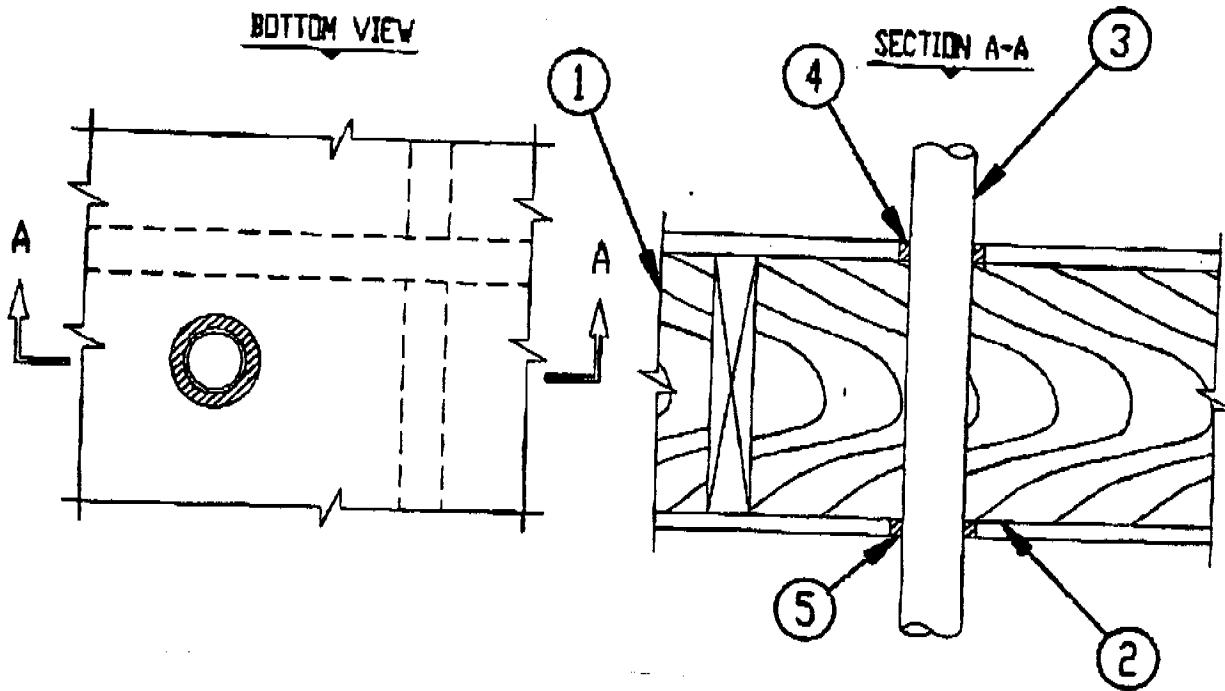
->9164472434

Page 2 of 2

UL SYSTEM NO. FC2160
PLASTIC PIPE THROUGH 1-HR. WOOD FLOOR ASSEMBLY

F RATING = 1-HR.

T RATING = 1-HR.



1. WOOD FLOOR/CEILING ASSEMBLY (UL CLASSIFIED L500 SERIES) (1-HR. FIRE-RATING)
2. LUMBER PLYWOOD SUB FLOOR WITH FINISH FLOOR OR LUMBER, PLYWOOD, OR FLOOR TOPPING MIXTURE.
3. PENETRATING ITEM TO BE ONE OF THE FOLLOWING (ALSO SEE NOTE NO. 3 BELOW):
 - A. MAXIMUM 2" NOMINAL DIAMETER PVC PLASTIC PIPE (CELLULAR AND SOLID CORE).
 - B. MAXIMUM 2" NOMINAL DIAMETER CPVC PLASTIC PIPE.
4. MINIMUM 3/4" DEPTH HILTI FS-ONE INTUMESCENT FIRESTOP SEALANT.
5. MINIMUM 5/8" DEPTH HILTI FS-ONE INTUMESCENT FIRESTOP SEALANT.

NOTES : 1. MAXIMUM DIAMETER OF OPENING = 4".
 2. ANNULAR SPACE = MINIMUM 1/4", MAXIMUM 1-3/8".
 3. CLOSED OR VENTED PIPING SYSTEMS (PVC = SCH 40, CPVC = SDR 17).



HILTI, Inc.
Tulsa, Oklahoma USA (918) 252-6000

Sheet	1 of 1	Drawing No.
Scale	5/32" = 1"	FC
Date	SEPT. 13, 1999	2160a



SHIMOTSU
ARCHITECTURE

Brian Robertson
Walsh & Forster, Inc.
1300 S Street
Sacramento, CA 95814

May 21, 2001

Re: Plan Revisions, 3301 Norwood Avenue


Brian,

Per our previous discussions at the project site, please make the following changes:

1. Delete the downspout connection to the storm drain system near the kitchens, where they conflict with the 6'x16' footing. Provide splash blocks at these locations. Provide positive drainage away from the buildings and towards the nearest drain inlet.
2. You may use plastic hubs for the storm drain connection in lieu of cast iron shown in detail 8/C4.1.

Please call with any questions.

Thank you,


Dave Anders, Project Manager
Shimotsu Architecture, Inc.

Cc: Rob Sronce, Sacramento Mutual Housing

OWNER-BUILDER VERIFICATION

ATTENTION PROPERTY OWNERS

An owner-builder building permit has been applied for in your name and bearing your signature.

Please complete and return this information in the envelope provided at your earliest opportunity to avoid unnecessary delay in processing and issuing your building permit. No building permit will be issued until this verification is received.

1. I personally plan to provide the major labor and materials for construction of the proposed Improvement (yes or no) NO
2. I (have/have not) ADVE signed an application for A building permit for the proposed work.

3. I have contracted with the following person (firm) to provide the proposed construction:

Name WALSH & FORSTER, Inc Address 300 "S" ST

City SACRAMENTO Telephone 447-5550

Contractors License No. 509780

4. I plan to provide portions of the work, but I have hired the following person to coordinate, Supervise, and provide the major work.


Name _____ Address _____

City _____ Telephone _____

Contractors License No. _____

5. I will provide some of the work but I have contracted (hired) the following to provide the Work indicated:

Name	Address	Phone	Type of work
_____	_____	_____	_____
_____	_____	_____	_____
_____	_____	_____	_____

Signed 

Job Address 3301 NORWOOD AVE

Permit No: 0065925

Certification of Compliance

School District Development Fees

PART I To be completed by APPLICANT

Owner's Name & Address ITC P&L Home Apts, 401 SWANT ST, SA 95117
 Project Address 3301 Hawthorn Ave, Eureka
 Parcel Number 250-0341-021 Lot No. 105
 Subdivision Name STRAWBERRY TERRACE Number of Units 4
 Applicant's Signature & Title [Signature]
 Date 5-21-00 Phone No. 415-340-2111

NOTICE TO APPLICANT: Pursuant to Government Code Section 66020(d), this will serve to notify you that the 90-day approval period in which you may protest the fees or other payment identified above will begin to run on the date in which the building or installation permit for this project is issued or on which they are paid to the district(s) or to another public entity authorized to collect them on behalf of the district(s), whichever is earlier.

PART II To be completed by BUILDING DEPARTMENT

Plan Identification Number 0005715 Building Type (CHECK ONE)
 () Residential
 (X) Apartment / Condominium
 () Commercial / Industrial
 Square Feet of Chargeable Building Area 1756
 Signature [Signature] Date 8-31-00
 Title Inspector

PART III To be completed by SCHOOL DISTRICTS

Grant Joint Union High School District	
District Certification No.	
EXEMPT	<u>709</u>
Comments	
RESIDENTIAL / APARTMENT / CONDOMINIUM	<u>47576</u> Sq. Ft. X \$ <u>2.12</u> = \$ <u>10,095.72</u>
COMMERCIAL / INDUSTRIAL	Sq. Ft. X \$ = \$
OTHER FEE: TYPE	Sq. Ft. X \$ = \$
TOTAL FEES COLLECTED	= \$ <u>10,095.72</u>

Robla Elementary School District	
District Certification No.	
EXEMPT	
Comments	
RESIDENTIAL / APARTMENT / CONDOMINIUM	Sq. Ft. X \$ = \$
COMMERCIAL / INDUSTRIAL	Sq. Ft. X \$ = \$
OTHER FEE: TYPE	Sq. Ft. X \$ = \$
TOTAL FEES COLLECTED	= \$

This Certification covers only the amount of square footage indicated above. Any additions or corrections to the square footage for this project will require an amendment to the Certificate of Compliance.

As the authorized school district official, I hereby certify that the requirements of Government Code Section 65995 and any other authorized requirements have been complied with by the above signed applicant.

GRANT	Authorized School District Official	ROBLA
Signature <u>[Signature]</u>	Signature _____	Signature _____
Title <u>[Title]</u>	Title _____	Title _____
Date <u>[Date]</u>	Date _____	Date _____

Original: Grant Joint Union High School District
 1st Copy: Robla Elementary School District
 2nd Building Department
 3rd Copy: Applicant

GJUUSD: Facilities Planning and Construction Department
 Certificate of Compliance Form (rev. 4/97) bep

CITY OF SACRAMENTO
 BUILDING INSPECTION DIVISION
 APPLICATION FOR BUILDING PERMIT - HAZARDOUS MATERIAL SURVEY

As Required by Assembly Bill #3205 - A Building Permit Cannot be Approved Without This Completed Form

1. Business Name: DEL PASO HOUSING ASSOCIATES Phone: 453-8400
 Site Address: 3301 NORWOOD AVE Suite: _____
(Street) (Zip)
 Business Owner/Representative: ROBERT SQUYLE Phone: 453-8400 x11
 Nature of Business: APARTMENTS
 Property Owner: DEL PASO HOUSING ASSOC. Phone: 453-8400
 Address: 3451-5TH AVE Suite: _____
(Street) (City) (State) (Zip)
SACRAMENTO CA 95817

2. Are you developing an undetermined tenant space? Yes ___ No Is this permit for a shell building? Yes ___ No

Notify lessee of the responsibility to coordinate with the Fire Department regarding the use and handling of hazardous materials.

3. Does/Will your business generate hazardous waste? Yes ___ No

4. Does/Will your business handle, store or transport any solid, liquid, or gaseous chemicals? Yes ___ No

CONSULT THE EPA CHEMICAL LIST LOCATED AT THE BUILDING DIVISION COUNTER FOR HAZARDOUS OR ACUTELY HAZARDOUS MATERIALS TO COMPLETE THE FOLLOWING QUESTIONS.

If you answered "YES" to questions #3 and/or #4 above, continue on to questions 5 - 8.

5. Do you handle, store, or transport 55 gallons, 500 pounds, or 200 cubic feet (at Standard Temperature or Pressure) of a product or formulation containing hazardous materials at any one time? Yes ___ No ___

6. Do you handle, store or transport any amount of acutely hazardous materials? Yes ___ No ___

7. Is/Will your business be located within 1,000 feet of a school? Yes ___ No ___

If you answered "yes" to questions #6 and/or #7, complete the RMPP Informational sheet.

8. Is/Will your business be located within 1,000 feet of a hospital, and/or long-term healthcare facility? Yes ___ No ___

IF YOU ANSWERED "YES" TO QUESTION #3 AND/OR #4, PLEASE CONTACT THE CITY OF SACRAMENTO FIRE DEPARTMENT LOCATED AT 1231 I STREET, SUITE 401, SACRAMENTO, CA OR CALL 449-5416.

Prior to issuance of a certificate of occupancy, each business owner(s) shall contact the City of Sacramento Fire Department and comply with the Health and Safety Code regarding the use and handling of hazardous materials.

PENALTY: Any business that violates Section 25531-25541 of the Health and Safety Code shall be civilly liable to the administering agency in an amount of not more than two thousand dollars (\$2,000) for each day in which the violation occurs. If the violation results in, or significantly contributes to, an emergency, including a fire, the business shall also be assessed the full cost of the city emergency response, as well as the cost of cleaning up and disposing of the hazardous materials. Additional liability and punishment may be assessed for knowing a violation after reasonable notice of the violation.

Applicant's Name: ROBERT SQUYLE
(Print)
[Signature] 8-3-00
(Signature) (Date)

BID Use Only: Plan Ck# <u>0005925</u> Permit # <u>0005925</u> OK to issue perm <input checked="" type="checkbox"/> <u>8-3-00</u> F.D. Appr Req'd? Yes <input checked="" type="checkbox"/> <u>NO</u> <small>init date</small>	
Hold on Certificate of Occupancy? Yes <input checked="" type="checkbox"/> <u>NO</u>	
Fire Dept. Use Only: OK to issue permit? ini' _____ date _____ OK to issue Certificate of Occupancy? ini' _____ date _____	