

CITY OF SACRAMENTO
1231 I Street, Sacramento, CA 95814

Permit No: 0400456

Insp Area: 4

Thos Bros:

Site Address: 190 MILL VALLEY CR NORTH SAC

Sub-Type: NSFR

Parcel No: 201-0850-079

HERITAGE AT NATOMAS PARK VIL 18 LOT 79

Housing (Y/N):

N

CONTRACTOR

US HOME
2366 GOLD MEADOW DR STE 100
GOLD RIVER, CA 95670 77041

OWNER

US HOME

ARCHITECT

Nature of Work: MP1815 1 STORY 7 ROOM SFR

CONSTRUCTION LENDING AGENCY : I hereby affirm under penalty of perjury that there is a construction lending agency for the performance of the work for which this permit is issued (Sec. 3097, Civ. C).

Lender's Name _____ Lender's Address _____

LICENSED CONTRACTORS DECLARATION: I hereby affirm under penalty of perjury that I am licensed under provisions of Chapter 9 (commencing with section 7000) of Division 3 of the Business and Professions Code and my license is in full force and effect.

License Class B License Number 451839 Date 2/2/4 Contractor Signature Don McCloskey

OWNER-BUILDER DECLARATION: I hereby affirm under penalty of perjury that I am exempt from the contractors License Law for the following reason (Sec. 7031.5, Business and Professions Code; any city or county which requires a permit to construct, alter, improve, demolish, or repair any structure, prior to its issuance, also requires the applicant for such permit to file a signed statement that he or she is licensed pursuant to the provisions of the Contractors License Law (Chapter 9 (commencing with Section 7000) of Division 8 of the Business and Professions Code) or that he or she is exempt therefrom and the basis for the alleged exemption. Any violation of Section 7031.5 by any applicant for a permit subjects the applicant to a civil penalty of not more than five hundred dollars (\$500.00);

____ I, as a owner of the property, or my employees with wages as their sole compensation, will do the work, and the structure is not intended or offered for sale (Sec. 7044, Business and Professional Code: The Contractors License Law does not apply to an owner of property who builds or improves thereon, and who does such work himself or herself or through his/her own employees, provided that such improvements are not intended or offered for sale. If, however, the building or improvement is sold within one year of completion, the owner-builder will have the burden of proving that he/she did not build or improve for the purpose of sale.)

____ I, as owner of the property, am exclusively contracting with licensed contractors to construct the project (Sec. 7000, Business and Professions Code: The Contractors License Law does not apply to an owner of property who builds or improves thereon, and who contracts for such project with contractor(s) licensed pursuant to the Contractors License Law).

I am exempt under Sec. _____ B & PC for this reason: _____
Date _____ Owner Signature _____

PAID
CITY OF SACRAMENTO
FEB 02 2004
NORTH PERMIT
CENTER

IN ISSUING THIS BUILDING PERMIT, the applicant represents, and the city relies on the representation of the applicant, that the applicant verified all measurements and locations shown on the application or accompanying drawings and that the improvement to be constructed does not violate any law or private agreement relating to permissible or prohibited locations for such improvements. This building permit does not authorize any illegal location of any improvement or the violation of any private agreement relating to location of improvements.

I certify that I have read this application and state that all information is correct. I agree to comply with all city and county ordinances and state laws relating to building construction and hereby authorize representative(s) of this city to enter upon the abovementioned property for inspection purposes.

Date 2/2/4 Applicant/Agent Signature Don McCloskey

WORKER'S COMPENSATION DECLARATION: I hereby affirm under penalty of perjury one of the following declarations:

____ I have and will maintain a certificate of consent to self-insure for workers' compensation as provided for by Section 3700 of the Labor Code, for the performance of work for which the permit is issued.

I have and will maintain workers' compensation insurance, as required by Section 3700 of the Labor Code, for the performance of the work for which this permit is issued. My workers' compensation insurance carrier and policy number are:

Carrier OLD REPUBLIC INS. CO. Policy Number MWC10815000 Exp Date 11/01/2004

____ (This section need not be completed if the permit is for \$100 or less) I certify that in the performance of the work for which this permit is issued, I shall not employ any person in any manner so as to become subject to the workers' compensation laws of California and agree that if I should become subject to the workers' compensation provisions of Section 3700 of the Labor Code, I shall forthwith comply with those provisions.

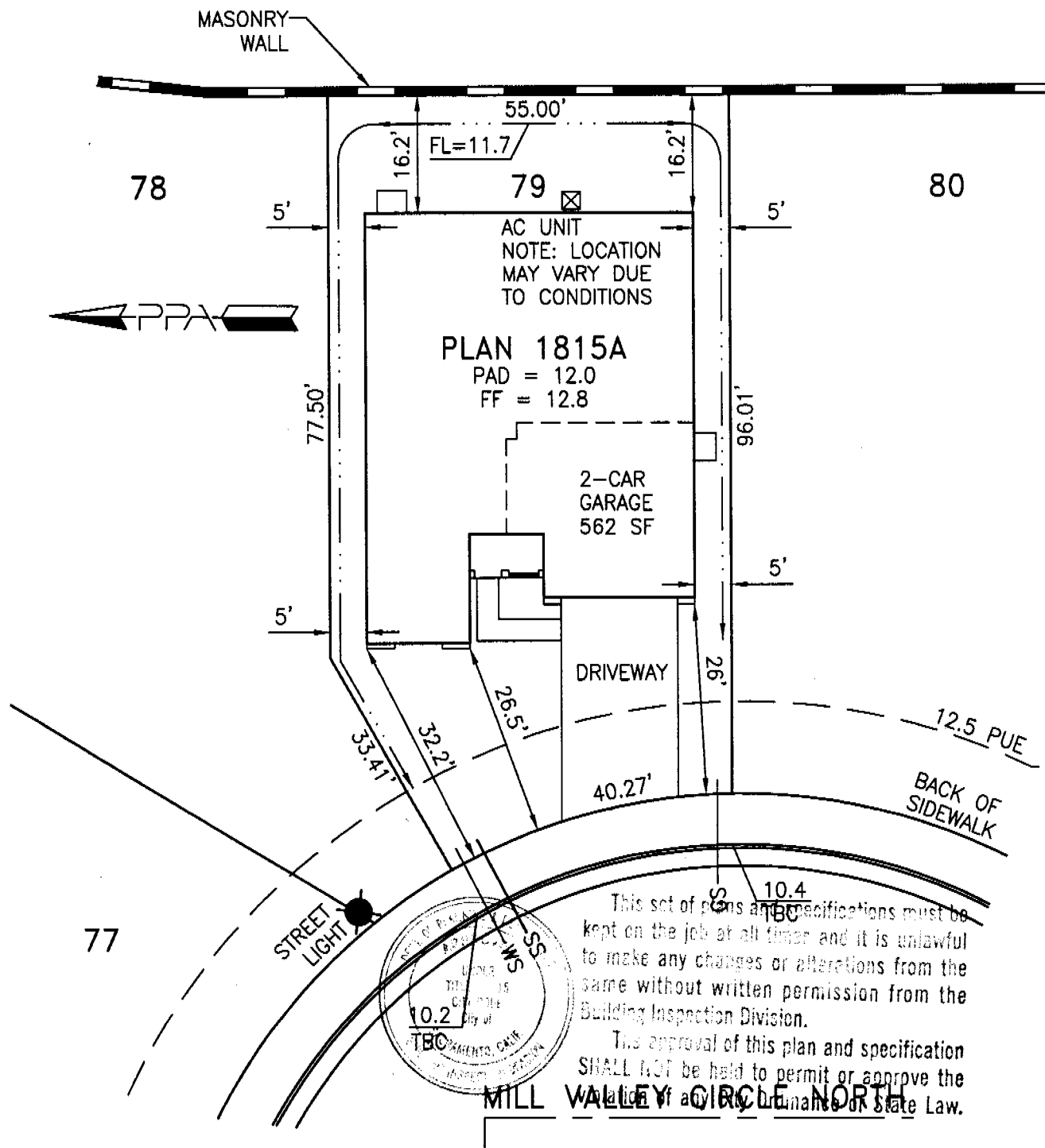
Date 2/2/4 Applicant Signature Don McCloskey

WARNING: FAILURE TO SECURE WORKER'S COMPENSATION COVERAGE IS UNLAWFUL AND SHALL SUBJECT AN EMPLOYER TO CRIMINAL PENALTIES AND CIVIL FINES UP TO ONE HUNDRED THOUSAND DOLLARS (\$100,000) IN ADDITION TO THE COST OF COMPENSATION, DAMAGES AS PROVIDED FOR IN SECTION 3706 OF THE LABOR CODE, INTEREST AND ATTORNEY'S FEE.

THIS PERMIT SHALL EXPIRE BY LIMITATION IF WORK IS NOT COMMENCED WITHIN 180 DAYS.

MP 1815

THIS PLAN IS PREPARED TO SHOW THE DIMENSIONAL RELATIONSHIP FROM BUILDING FOUNDATION TO PROPERTY LINES, DRAINAGE CONTROL ELEVATIONS AND DIRECTION OF DRAINAGE FLOW. THIS IS DONE TO CONFORM TO LOCAL ORDINANCES FOR THE PURPOSE OF BUILDING PERMIT ISSUANCE. INFORMATION SHOWN ON THIS PLAN IS APPROXIMATE EXCEPT FOR MINIMUM SETBACKS WHICH ARE REQUIRED BY LOCAL ORDINANCE. THIS PLAN DOES NOT REFLECT AS BUILT CONDITIONS WHICH WILL LIKELY VARY FROM THIS PLAN.



Approved By:	US Home Corp. Rep.	Date
Revision	Approved By	Date
▲		
▲		

LOT AREA: 5349 SF
 ALLOWED LOT COVERAGE: 2407 SF = 45.0%
 ACTUAL LOT COVERAGE: 2101 SF = 39.3%
 REAR YARD AREA: 890 SF
 NUMBER OF BEDROOMS:

It is understood that the drainage areas, slopes and grades shall not be altered, changed, blocked, modified or in any way be reconstructed by Owner contrary to what is depicted on this Plot Plan. THESE CONDITIONS RUN WITH THE LAND AND ARE BINDING ON ALL SUBSEQUENT OWNERS. All setback dimensions and elevations as shown may be adjusted to fit field conditions.

Plot Plan for Heritage at Natomas Park Village 18
Heritage Park - Martinique
 190 Mill Valley Circle North, Sacramento, CA 95835

PPA Job #005010
Lot 79
 APN 201-0850-079

US Home Corporation - Sacramento Division
 2366 Gold Meadow Way, Suite 200, Gold River, CA 95670 Phone (916) 858-3900 Fax (916) 858-3925

Plot Plan Associates www.plotplans.org
 PO Box 435 Citrus Heights CA 95611-0435 (916) 769-9063

Date Drawn: 12/19/03 Scale: 1"=20'
 Date Revised: - Drawn By: KLM

D:\005010\Plotplans\Village18\51018079.dwg

CERTIFICATION OF INSULATION

US Home

LOT # 679

HERITAGE Park MAR.

- PO. BOX 854, WEST SACRAMENTO, CA 95691 LIC. #202026
- 1309 MELODY ROAD, MARYSVILLE, CA 95901 LIC. #202026
- PO. BOX 9651, FRESNO, CA 93793-9651 LIC. #202026
- PO. BOX 1631, RENO, NV 89505 LIC. #10675
- 3326 A PONDEROSA WAY, LAS VEGAS, NV 89118 LIC. #10675

DATE INSULATION COMPLETED

SQUARE FEET			SQUARE FEET			SQUARE FEET		
MATERIAL: FIBERGLASS			MATERIAL: FIBERGLASS			MATERIAL: FIBERGLASS		
FORM: BATTS			FORM: BATTS & BLOW			FORM: BATTS		
MANUFACTURER'S PRODUCT I.D.			MANUFACTURER'S PRODUCT I.D.			MANUFACTURER'S PRODUCT I.D.		
CT	OC	JM	CT	OC	JM	CT	OC	JM
R-VALUE	APPLIED		R-VALUE	APPLIED	MIN. INSTALLED	R-VALUE	APPLIED	
13	3.5		38	12" - 1075'	—	—	—	—
14	5.5							

MATERIAL: FIBERGLASS	FORM: BATTS	R-VALUE	MANUFACTURER		
			CT	OC	JM

MATERIAL:	MANUFACTURER:	
	HILTI	HANDY FOAM

SIGNATURE — INSULATION CONTRACTOR: _____ TITLE: J.C. MANAGER DATE: 8-10-04

SIGNATURE — GENERAL CONTRACTOR: _____ TITLE: _____ DATE: _____

REMARKS: _____

CUSTOMER COPY