

**CITY OF SACRAMENTO**  
1231 I Street, Sacramento, CA 95814

**Permit No: 0107764**  
**Insp Area: 4**

**Site Address: 3681 TREFETHEN WY SAC**  
Parcel No: 225-1170-08.3 GATEWAY WEST 3-2 LOT 45

Sub-Type: NSFR  
Housing (Y/N): N

**CONTRACTOR**  
MOURIER JOHN CONSTRUCTION INC.  
1830 VERNON ST  
SUITE 9 95687

**OWNER**

**ARCHITECT**

**Nature of Work:** MP 2385 W/OPT. 2 STORY 10 ROOM SFR

**CONSTRUCTION LENDING AGENCY:** I hereby affirm under penalty of perjury that there is a construction lending agency for the performance of the work for which this permit is issued (Sec. 3097, Civ. C.).

Lender's Name \_\_\_\_\_ Lender's Address \_\_\_\_\_

**LICENSED CONTRACTORS DECLARATION:** I hereby affirm under penalty of perjury that I am licensed under provisions of Chapter 9 (commencing with section 7000) of Division 3 of the Business and Professions Code and my license is in full force and effect.

License Class B License Number 613004 Date 6/27/01 Contractor Signature N. Collins

**OWNER-BUILDER DECLARATION:** I hereby affirm under penalty of perjury that I am exempt from the contractors License Law for the following reason (Sec. 7031.5, Business and Professions Code; any city or county which requires a permit to construct, alter, improve, demolish, or repair any structure, prior to its issuance, also requires the applicant for such permit to file a signed statement that he or she is licensed pursuant to the provisions of the Contractors License Law (Chapter 9 (commencing with Section 7000) of Division 8 of the Business and Professions Code) or that he or she is exempt therefrom and the basis for the alleged exemption. Any violation of Section 7031.5 by any applicant for a permit subjects the applicant to a civil penalty of not more than five hundred dollars (\$500.00).

I, as a owner of the property, or my employees with wages as their sole compensation, will do the work, and the structure is not intended or offered for sale (Sec. 7044, Business and Professional Code. The Contractors License Law does not apply to an owner of property who builds or improves thereon, and who does such work himself or herself or through his/her own employees, provided that such improvements are not intended or offered for sale. If, however, the building or improvement is sold within one year of completion, the owner-builder will have the burden of proving that he/she did not build or improve for the purpose of sale.)

I, as owner of the property, am exclusively contracting with licensed contractors to construct the project (Sec. 7044, Business and Professions Code. The Contractors License Law does not apply to an owner of property who builds or improves thereon, and who contracts for such projects with a contractor(s) licensed pursuant to the Contractors License Law)

I am exempt under Sec. \_\_\_\_\_ B & PC for this reason: \_\_\_\_\_

Date \_\_\_\_\_ Owner Signature \_\_\_\_\_

**IN ISSUING THIS BUILDING PERMIT,** the applicant represents, and the city relies on the representation of the applicant, that the applicant verified all measurements and locations shown on the application or accompanying drawings and that the improvement to be constructed does not violate any law or private agreement relating to permissible or prohibited locations for such improvements. This building permit does not authorize any illegal location of any improvement or the violation of any private agreement relating to location of improvements.

I certify that I have read this application and state that all information is correct. I agree to comply with all city and county ordinances and state laws relating to building construction and hereby authorize representative(s) of this city to enter upon the abovementioned property for inspection purposes.

Date 6/27/01 Applicant Agent Signature N. Collins

**WORKER'S COMPENSATION DECLARATION:** I hereby affirm under penalty of perjury one of the following declarations:

I have and will maintain a certificate of consent to self-insure for workers' compensation as provided for by Section 3700 of the Labor Code, for the performance of work for which the permit is issued

I have and will maintain workers' compensation insurance, as required by Section 3700 of the Labor Code, for the performance of the work for which this permit is issued. My workers' compensation insurance carrier and policy number are:

Carrier STATE COMPENSATION INS FUND Policy Number 156326600 Exp Date 10/01/2001

(This section need not be completed if the permit is for \$100 or less) I certify that in the performance of the work for which this permit is issued, I shall not employ any person in any manner so as to become subject to the workers' compensation laws of California and agree that if I should become subject to the workers' compensation provisions of Section 3700 of the Labor Code, I shall forthwith comply with those provisions.

Date 6/27/01 Applicant Signature N. Collins

**WARNING: FAILURE TO SECURE WORKER'S COMPENSATION COVERAGE IS UNLAWFUL AND SHALL SUBJECT AN EMPLOYER TO CRIMINAL PENALTIES AND CIVIL FINES UP TO ONE HUNDRED THOUSAND DOLLARS (\$100,000) IN ADDITION TO THE COST OF COMPENSATION, DAMAGES AS PROVIDED FOR IN SECTION 3706 OF THE LABOR CODE, INTEREST AND ATTORNEY'S FEE.**

**THIS PERMIT SHALL EXPIRE BY LIMITATION IF WORK IS NOT COMMENCED WITHIN 180 DAYS.**

RESIDENTIAL BUILDING PERMIT APPLICATION

New Construction     Addition     Remodels     Other

Project Address: 3681 Trefothen Way    Assessor Parcel # 225-1300-00 <sup>1170-083</sup>

OWNER INFORMATION:

Lot #45

Legal Property Owner: John Mourier Construction    Phone # (916) 969-2842  
Owner Address: 1830 Vernon Street, #9    City Roseville    State Ca.    Zip 95678

CONTRACTOR INFORMATION:

Gateway West Village #3

Contractor: J.M.C.    Lic. # 613004    Phone # 969-2842    Fax # 782-8903

PROJECT INFORMATION:

Land Use Zone R14    Occupancy Group R3    Construction Type VN    Fed Code 14  
No. of stories: 2    No. of rooms: 10    Street width: \_\_\_\_\_  
1<sup>st</sup> Floor Area 1349    2<sup>nd</sup> Floor Area 1257    Basement \_\_\_\_\_    Roof Material \_\_\_\_\_

AREA IN SQUARE FOOT OF:

EXISTING

NEW

Dwelling/Living	_____	<u>2606</u>
Garage/Storage	_____	<u>623</u>
Decks/Balconies	_____	<u>90</u>
Carports	_____	_____

SCOPE OF WORK:

FOR OFFICE USE ONLY!

- Information above complete
- Violation files checked
- Standard setbacks
- County Sewer
- AR Flood Waiver required
- Flood Elevation Certificate Required
- Water Development Infill Area
- Planning Approval
- Design Review Approval
- Special Fee Districts Apply: \_\_\_\_\_

NEW STRUCTURES & ADDITIONS

◆ THE FOLLOWING MUST BE PROVIDED IN ORDER TO SUBMIT FOR PLAN REVIEW

- 2 COMPLETE PLANS, LEGIBLE & DRAWN TO SCALE    ◆ Plans to include: site plan, floor plan, elevations, roof/ceiling plan, foundation and structural framing details, and structural calculations for non-conforming structures.
- 3 SETS IF PROJECT IS IN A DESIGN REVIEW AREA
- Title 24 Energy Compliance documentation
- Grading and Erosion Control Questionnaire
- 11" x 17" copy of floor plan for County Assessor
- Plan Review Fees

Date: \_\_\_\_\_

Received by: (staff) \_\_\_\_\_



# CERTIFICATION OF INSULATION

ADDRESS OR TRACT

SACRAMENTO INSULATION CONTRACTORS

*Jmc*  
 LOT # *45*  
*GATEWAY WEST*  
*3861 Trefethen Way*

- P.O. BOX 854, WEST SACRAMENTO, CA 95691 LIC. #202026
- 1309 MELODY ROAD, MARYSVILLE, CA 95901 LIC. #202026
- P.O. BOX 9651, FRESNO, CA 93793-9651 LIC. #202026
- P.O. BOX 1631, RENO, NV 89505 LIC. #10675
- 3326 A PONDEROSA WAY, LAS VEGAS, NV 89118 LIC. #10675

DATE INSULATION COMPLETED

PART I GENERAL

PART II AREAS INSULATED

PART III CERTIFICATION

WALLS		CEILINGS			FLOORS		
( SQUARE FEET)		( SQUARE FEET)			( SQUARE FEET)		
TYPE OF INSULATION		TYPE OF INSULATION			TYPE OF INSULATION		
MATERIAL <b>FIBERGLASS</b>		MATERIAL <b>FIBERGLASS</b>			MATERIAL <b>FIBERGLASS</b>		
FORM <b>BATTS</b>		FORM <b>BATTS &amp; BLOW</b>			FORM <b>BATTS</b>		
MANUFACTURER'S PRODUCT I.D.		MANUFACTURER'S PRODUCT I.D.			MANUFACTURER'S PRODUCT I.D.		
MANUFACTURER		MANUFACTURER			MANUFACTURER		
<b>OCF</b>		<b>OCF</b>			<b>OCF</b>		
R-VALUE INSTALLED		APPLIED THICKNESS		R-VALUE INSTALLED		APPLIED THICKNESS	
<i>13</i>		<i>3 7/8</i>		<i>30</i> <i>30</i>		<i>9</i> <i>12</i>	
KNEE WALLS IF R-VALUE IS OTHER THAN WALLS ABOVE							
MATERIAL <b>FIBERGLASS</b>		FORM <b>BATTS</b>		R VALUE		MANUFACTURER <b>OCF</b>	
AIR INFILTRATION SEALANT							
MATERIAL <b>Foam</b>				MANUFACTURER <b>W R GRACE</b>			

**THIS IS TO CERTIFY THAT INSULATION AND/OR SEALANT HAS BEEN INSTALLED IN CONFORMANCE WITH APPLICABLE CODES, MATERIAL STANDARDS AND REGULATIONS.**

SIGNATURE—INSULATION CONTRACTOR <i>Jeff Cable</i>	TITLE MANAGER	DATE <i>1-11-02</i>
SIGNATURE—GENERAL CONTRACTOR	TITLE	DATE

REMARKS

# OMEGA PRODUCTS INTERNATIONAL, INC.

DIAMOND WALL INSULATING STUCCO SYSTEM

Jnt 45  
JOB ADDRESS:

ICBO Report #4004

3681 Hepethon Way

Date of Job Completion 12-12-01

PLASTERING CONTRACTOR:

Name: STUCCO WORKS

Address: 5900 WAREHOUSE WAY, SAC 95826

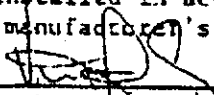
Telephone No: (916) 383-6699

Contractor Number of Diamond Wall System 2175

This is to certify that the exterior coating system on the building exterior at the above address has been installed in accordance with the evaluation report specified above and the manufacturer's instructions.

11-20-01

Date

  
Signature of authorized representative of  
Plastering Contractor

This installation card must be presented to the building inspector after completion of work and before final inspection.

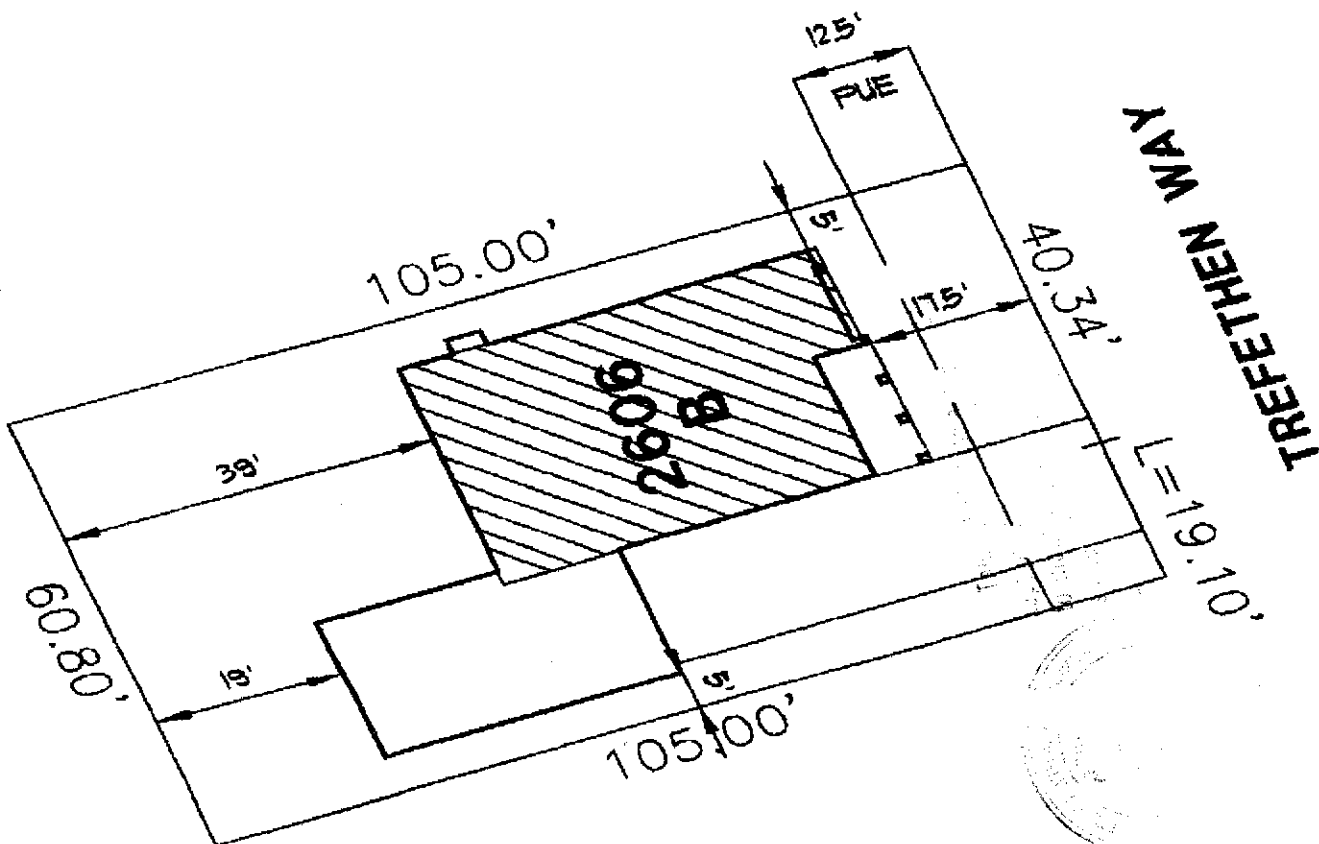


# DAILY FIELD REPORT

LOT #'S ~~43, 45, 46, 48 & 49~~ 43, 45, 46, 48 & 49

Project No.	Date	Day	Weather	Site:
Project Name	Project Location			
Client			Client Representative	
General Contractor			Supervisor	
Sub Contractor			Other Personnel	
Type of Work	Equipment used	Equipment used	Time	
Type of Work	Equipment used	Equipment used	Time	
Plans/Specifications				
<p>PERFORMED FULL TESTING W/ 10 TON HYDRAULIC JACK TO 1200 PSI ON GAUGE EQUAL TO 6820 PSI ON 5/8" ALL THREAD EPOXIED INTO MID SILL PLATE &amp; 2000 PSI CONCRETE W/ 12" EMBEDMENT USING SIMPSON EPOXY</p> <p>I FULL TESTED ANCHOR BOLTS IN LOT #'S 43, 45, 46, 48 &amp; 49 ON THE OTHER OF GATEWAY SUBDIVISION.</p> <p>ALL BOLTS TESTED PASSED FULL TESTING W/ NO FAILURES OR DISCREPANCIES NOTED.</p> <p>ALL WORK RE I.C.B.O EVALUATION REPORT # 5279</p>				
ATTACHMENTS: <input type="checkbox"/> FIELD DENSITY DATA <input type="checkbox"/> CONCRETE PLACEMENT DATA <input type="checkbox"/> SKETCH <input type="checkbox"/> OTHER:				
Copy received by/given to:	Arrived:	Departed:	Report by:	
<i>Kelly</i>			<i>M. Harris</i>	

**GATEWAY WEST VILLAGE 3**



**LANDSCAPING NOTES:**

1. ALL "STREET-TREES" MUST BE PLACED ALONG STREET FRONTAGE AT AN AVERAGE OF 10'-0" TO 30'-0" O.C.
2. ALL "STREET-TREES" SPECIES MUST BE PER GATEWAY WEST "STREET-TREE" MATRIX TABLE FOR STREET(S) BORDERING LOT - NO EXCEPTIONS

**LOT: 45 SITE ADDRESS: 3681 TREFETHEN WAY**

WHEN USED FOR SALES OR CONTRACT PURPOSES THIS DOCUMENT DOES NOT GUARANTEE ANY DIMENSIONS, DISTANCES, BEARINGS OR SETBACKS. JMC RESERVES THE RIGHT TO MAKE CHANGES AT ANY TIME WITHOUT PRIOR NOTICE AND IS NOT RESPONSIBLE FOR IRREGULARITIES OR DIFFERENCES IN ACTUAL OR "AS-BUILT" LOT CHARACTERISTICS.

SCALE: 1"=20'
LOT SIZE: 6,306's
GW-P45 JK 5-25-01

APR
2002 VERSION ST. No. 3 ROSEVILLE, CA 95678 916-782-8978 CA. Lic. 010004

**2-CAR L**  
**JMC HOMES**