

CITY OF SACRAMENTO
1231 I Street, Sacramento, CA 95814

Permit No: 0515947
Insp Area: 1
Thos Bros: 277B1

Site Address: 502 J ST SAC
Parcel No:

RANDSTAD

Sub-Type: ATTACHI

CONTRACTOR
PROAD SIGNS & LIGHTING INC
5961 WEST OAKS BLVD
ROCKLIN 95765

OWNER

ARCHITECT

Nature of Work: 2 SETS - S/F ILLUMINATED CHANNEL LETTER ON EXPOSED RACEWAY

CONSTRUCTION LENDING AGENCY: I hereby affirm under penalty of perjury that there is a construction lending agency for the performance of the work for which this permit is issued (Sec. 3097, Civ. C).

Lender's Name _____ Lender's Address _____

LICENSED CONTRACTORS DECLARATION: I hereby affirm under penalty of perjury that I am licensed under provisions of Chapter 9 (commencing with section 7000) of Division 3 of the Business and Professions Code and my license is in full force and effect.

License Class C45 License Number 857405 Date 10/26/05 Contractor Signature [Signature]

OWNER-BUILDER DECLARATION: I hereby affirm under penalty of perjury that I am exempt from the contractors License Law for the following reason (Sec. 7031.5, Business and Professions Code; any city or county which requires a permit to construct, alter, improve, demolish, or repair any structure, prior to its issuance, also requires the applicant for such permit to file a signed statement that he or she is licensed pursuant to the provisions of the Contractors License Law (Chapter 9 (commencing with Section 7000) of Division 8 of the Business and Professions Code) or that he or she is exempt therefrom and the basis for the alleged exemption. Any violation of Section 7031.5 by any applicant for a permit subjects the applicant to a civil penalty of not more than five hundred dollars (\$500.00);

I, as a owner of the property, or my employees with wages as their sole compensation, will do the work, and the structure is not intended or offered for sale (Sec. 7044, Business and Professional Code: The Contractors License Law does not apply to an owner of property who builds or improves thereon, and who does such work himself or herself or through his/her own employees, provided that such improvements are not intended or offered for sale. If, however, the building or improvement is sold within one year of completion, the owner-builder will have the burden of proving that he/she did not build or improve for the purpose of sale.)

I, as owner of the property, am exclusively contracting with licensed contractors to construct the project (Sec. 7044, Business and Professions Code: The Contractors License Law does not apply to an owner of property who builds or improves thereon; and who contracts for such projects with a contractor(s) licensed pursuant to the Contractors License Law).

PAID
CITY OF SACRAMENTO
OCT 26 2005

I am exempt under Sec. _____ B & PC for this reason: _____

Date 1 Owner Signature [Signature]
NEIGHBORHOODS PLANNING AND DEVELOPMENT SERVICES

IN ISSUING THIS BUILDING PERMIT, the applicant represents, and the city relies on the representation of the applicant, that the applicant verified all measurements and locations shown on the application or accompanying drawings and that the improvement to be constructed does not violate any law or private agreement relating to permissible or prohibited locations for such improvements. This building permit does not authorize any illegal location of any improvement or the violation of any private agreement relating to location of improvements.

I certify that I have read this application and state that all information is correct. I agree to comply with all city and county ordinances and state laws relating to building construction and hereby authorize representative(s) of this city to enter upon the abovementioned property for inspection purposes.

Date 10/26/05 Applicant/Agent Signature [Signature]

WORKER'S COMPENSATION DECLARATION: I hereby affirm under penalty of perjury one of the following declarations:
I have and will maintain a certificate of consent to self-insure for workers' compensation as provided for by Section 3700 of the Labor Code, for the performance of work for which the permit is issued.

I have and will maintain workers' compensation insurance, as required by Section 3700 of the Labor Code, for the performance of the work for which this permit is issued. My workers' compensation insurance carrier and policy number are:

Carrier STATE FUND Policy Number 1820569-2005 Exp Date 03/01/2006

(This section need not be completed if the permit is for \$100 or less) I certify that in the performance of the work for which this permit is issued, I shall not employ any person in any manner so as to become subject to the workers' compensation laws of California and agree that if I should become subject to the workers' compensation provisions of Section 3700 of the Labor Code, I shall forthwith comply with those provisions.

Date 10/26/05 Applicant Signature [Signature]

WARNING: FAILURE TO SECURE WORKER'S COMPENSATION COVERAGE IS UNLAWFUL AND SHALL SUBJECT AN EMPLOYER TO CRIMINAL PENALTIES AND CIVIL FINES UP TO ONE HUNDRED THOUSAND DOLLARS (\$100,000) IN ADDITION TO THE COST OF COMPENSATION, DAMAGES AS PROVIDED FOR IN SECTION 3706 OF THE LABOR CODE, INTEREST AND ATTORNEY'S FEE.

THIS PERMIT SHALL EXPIRE BY LIMITATION IF WORK IS NOT COMMENCED WITHIN 180 DAYS.

Sign Permit Application

2101 Arena Blvd. Ste.200 Sacramento CA 95834
 1231 I St. Ste.200 Sacramento CA 95814
 (916) 808-5656
 * Required Information



Inspection Line
 (916) 808-7622 or 808-5716

Sign Permit # 0515947 Area C

*Sign Address
502 J St.

APN # <u>026-024-040</u> Zone:	DR-PB / PUD / SC: <u>AP</u>	P / ZA File:
--------------------------------	-----------------------------	--------------

***Sign Applicant**

Pro Ad Signs & Lightings, Inc.
 Property Owner \ License Contractor:

Address: 5161 W. LAKS BLD. STEA ROCKLIN, CA Phone: 916.435.1055

Contractor License # 857405 Class C-45

*Sign Information		Attached		Detached	
Bldg. Tenant Frontage	lineal. foot	Parcel Street Frontage	lineal. foot		
Sign I.D. Tag	*Ht. x Wth.	= Sign Area		Sign Copy	
<u>A S050734</u>	<u>16" x 13'4"</u>	<u>17.77</u>		<u>RANDSTAD w/ LOGO</u>	
<u>B S050735</u>	<u>16" x 13'4"</u>	<u>17.77</u>		<u>RANDSTAD w/ LOGO</u>	
<u>S</u>					
<u>S</u>					

Required Plan Review Approvals | Structural | Electrical | Design Review AP C.S.

Code	Final Sign Inspection	Approved	Date
<u>99</u>	<u>FOOTING</u>		
<u>99</u>	<u>BUILDING</u>		
<u>98</u>	<u>ELECTRICAL</u>		
<u>n/a</u>	<u>SPECIAL INSPECTION</u>		

THIS SIGN PERMIT SHALL EXPIRE BY LIMITATION IF WORK AUTHORIZED IS NOT COMMENCED WITHIN 180 DAYS

CITY OF SACRAMENTO

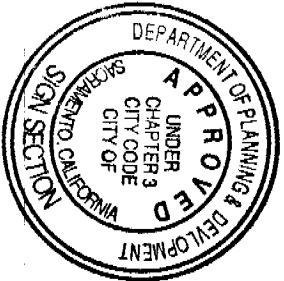
OCT 26 2005

NEIGHBORHOODS PLANNING AND DEVELOPMENT SERVICES


Fees		\$100.00 per application.	
		Total Sign Permit Fees : see Development Fee Schedule	
Cashier	Description	Date	Amount
	Sign Application Fee	<u>10/2/05</u>	<u>100 -</u>
	Other		
	Balance		<u>139.88</u>
Total	Sign Permit Fee		

x Mark [Signature] 10/26/05 Approved Sign Permit

CITY COPY



This set of plans and specifications must be kept on the job at all times and it is unlawful to make any changes or alterations from the same without written permission from the City of Sacramento Sign Section.
The approval of this plan and specification SHALL NOT be held to permit or approve the violation of any City Ordinance or State Law.

N 
All electrical work must be U.L. labeled or be of equivalent standards, N.E.C. Sec. 90-6; and comply with chapter 14, Div. 2 of The Sacramento City Code.
EQUIPMENT MUST BE USED AS DESIGN INTENDED
ALL SIGN INSTALLATIONS ARE SUBJECT TO FIELD INSPECTIONS

6th St.

5th St.

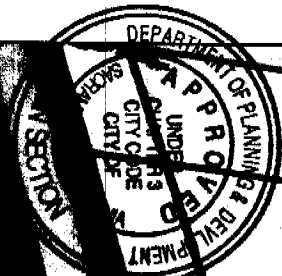
St. J



here edge

A) 5050736
B) 5056734

CITY COPY



This set of plans and specifications kept on the job at all times. No alterations to the approved plans and specifications without the approval of the Sign Section.



ELEVATION @ CORNER

PROJECT NO: 10117/06
DESIGNER: [Signature]
APPROVED BY: [Signature]
APPROVAL DATE: 10/17/06

OCT 26 2006

CUSTOMER APPROVAL

LANDLORD APPROVAL

DATE

CITY OF

NEIGHBORHOODS PLANNING AND DEVELOPMENT SERVICES

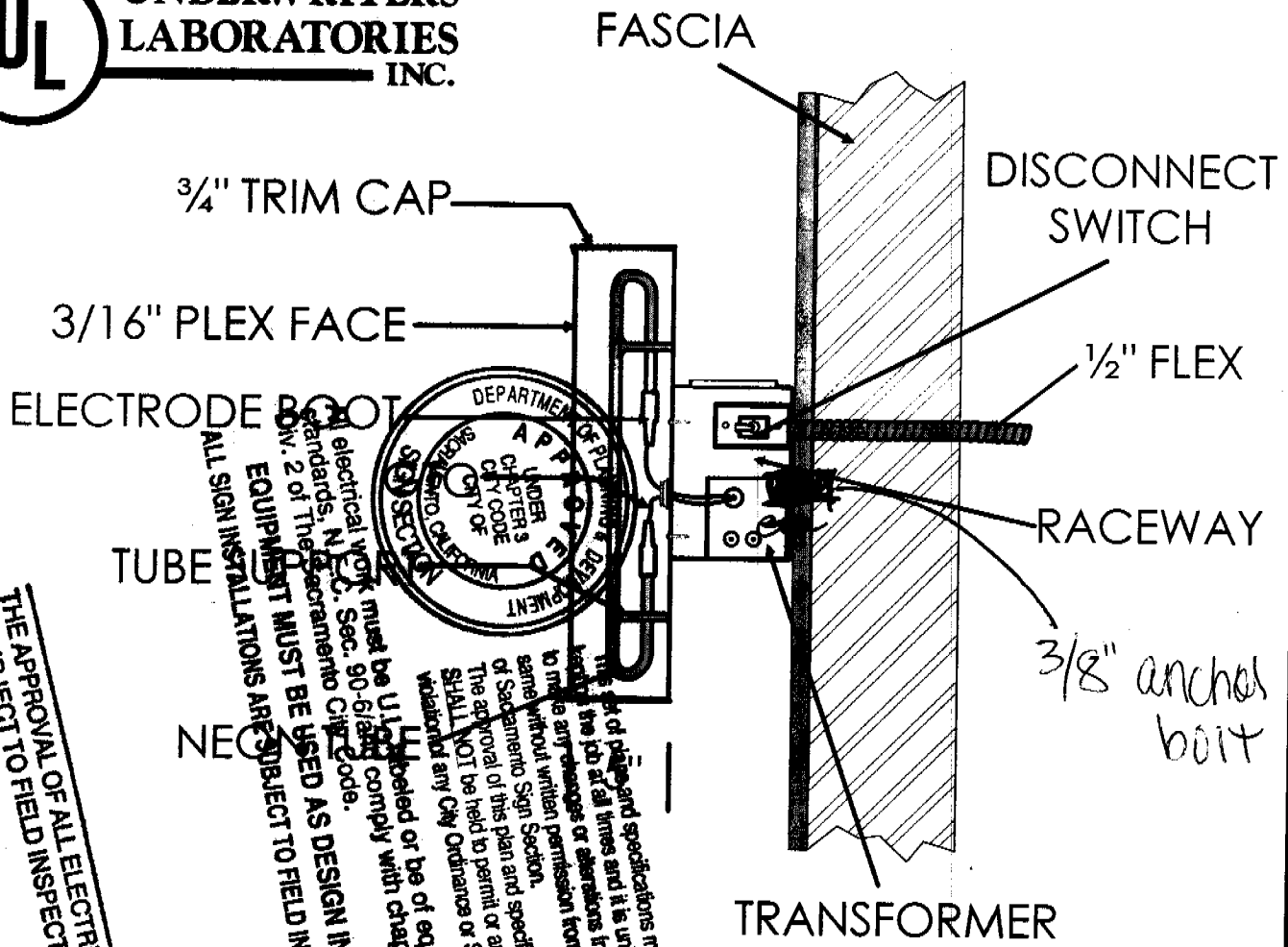
Everbrite
Identity Systems Davis, Inc.

randstad 16" Channel Letter Sets (2) on Raceways
Sacramento, CA

218655-1 Cl- 9/7/05



UNDERWRITERS LABORATORIES INC.



DEPARTMENT OF PUBLIC WORKS
 SACRAMENTO, CALIFORNIA
 CITY CODE
 UNDERWRITERS LABORATORIES
 APPROVED
 ALL electrical work must be U.L. listed and comply with chapter 14, U.C. Sec. 90-6/and code.
 STANDARDS, N.E.C. Sec. 90-6/and code.
 DIV. 2 of The City of Sacramento City Code.
 EQUIPMENT MUST BE USED AS DESIGN INTENDED.
 ALL SIGN INSTALLATIONS ARE SUBJECT TO FIELD INSPECTION.

PAN CHANNEL LETTER-EXPOSED RACEWAY

(1) 3/8" anchor bolts per every 30" length.

PAID
CITY OF SACRAMENTO

OCT 26 2005

NEIGHBORHOODS PLANNING AND DEVELOPMENT SERVICES