

CITY OF SACRAMENTO
1231 I Street, Sacramento, CA 95814

Permit No: 9909037
Insp Area: 4

Site Address: 2453 WATERS EDGE WY SAC
Parcel No: 274-0510-020 RIVERWALK LOT 20

Sub-Type: NSFR
Housing (Y/N): N

CONTRACTOR
MYERS HOMES INC.
5390 FITZGERALD RD.
RANCHO CORDOVA CA. 95742

OWNER

ARCHITECT

Nature of Work: MP 2655 2 STORY 9 ROOM SFR

CONSTRUCTION LENDING AGENCY: I hereby affirm under penalty of perjury that there is a construction lending agency for the performance of the work for which this permit is issued (Sec. 3097, Civ. C.)

Lender's Name _____ Lender's Address _____

LICENSED CONTRACTORS DECLARATION: I hereby affirm under penalty of perjury that I am licensed under provisions of Chapter 9 (commencing with section 7000) of Division 3 of the Business and Professions Code and my license is in full force and effect.

License Class B7 License Number 79447 Date 7-17-99 Contractor Signature [Signature]

OWNER-BUILDER DECLARATION: I hereby affirm under penalty of perjury that I am exempt from the contractors License Law for the following reason (Sec. 7031.5, Business and Professions Code; any city or county which requires a permit to construct, alter, improve, demolish, or repair any structure, prior to its issuance, also requires the applicant for such permit to file a signed statement that he or she is licensed pursuant to the provisions of the Contractors License Law (Chapter 9 (commencing with Section 7000) of Division 8 of the Business and Professions Code) or that he or she is exempt therefrom and the basis for the alleged exemption. Any violation of Section 7031.5 by any applicant for a permit subjects the applicant to a civil penalty of not more than five hundred dollars (\$500.00).

I, as a owner of the property, or my employees with wages as their sole compensation, will do the work, and the structure is not intended or offered for sale (Sec. 7044, Business and Professional Code: The Contractors License Law does not apply to an owner of property who builds or improves thereon, and who does such work himself or herself or through his/her own employees, provided that such improvements are not intended or offered for sale. If, however, the building or improvement is sold within one year of completion, the owner-builder will have the burden of proving that he/she did not build or improve for the purpose of sale.)

I, as owner of the property, am exclusively contracting with licensed contractors to construct the project (Sec. 7044, Business and Professions Code). The Contractors License Law does not apply to an owner of property who builds or improves thereon, and who contracts for such projects with a contractor(s) licensed pursuant to the Contractors License Law.

I am exempt under Sec. _____ B & PC for this reason: _____

Date _____ Owner Signature _____

IN ISSUING THIS BUILDING PERMIT, the applicant represents, and the city relies on the representation of the applicant, that the applicant verified all measurements and locations shown on the application or accompanying drawings and that the improvement to be constructed does not violate any law or private agreement relating to permissible or prohibited locations for such improvements. This building permit does not authorize any illegal location of any improvement or the violation of any private agreement relating to location of improvements.

I certify that I have read this application and state that all information is correct. I agree to comply with all city and county ordinances and state laws relating to building construction and hereby authorize representative(s) of this city to enter upon the abovementioned property for inspection purposes.

Date 7-17-99 Applicant Agent Signature [Signature]

WORKER'S COMPENSATION DECLARATION: I hereby affirm under penalty of perjury one of the following declarations:

I have and will maintain a certificate of consent to self-insure for workers' compensation as provided for by Section 3700 of the Labor Code, for the performance of work for which the permit is issued.

I have and will maintain workers' compensation insurance, as required by Section 3700 of the Labor Code, for the performance of the work for which this permit is issued. My workers' compensation insurance carrier and policy number are:

Carrier RELiance NAT INS CO Policy Number NWAO154613 Exp Date 04/01/2000

This section need not be completed if the permit is for \$100 or less) I certify that in the performance of the work for which this permit is issued, I shall not employ any person in any manner so as to become subject to the workers' compensation laws of California and agree that if I should become subject to the workers' compensation provisions of Section 3700 of the Labor Code, I shall forthwith comply with those provisions.

Date 7-17-99 Applicant Signature [Signature]

WARNING - FAILURE TO SECURE WORKER'S COMPENSATION COVERAGE IS UNLAWFUL AND SHALL SUBJECT AN EMPLOYER TO CRIMINAL PENALTIES AND CIVIL FINES UP TO ONE HUNDRED THOUSAND DOLLARS (\$100,000) IN ADDITION TO THE COST OF COMPENSATION, DAMAGES AS PROVIDED FOR IN SECTION 3706 OF THE LABOR CODE, INTEREST AND ATTORNEY'S FEE.

THIS PERMIT SHALL EXPIRE BY LIMITATION IF WORK IS NOT COMMENCED WITHIN 180 DAYS.

PLAN 6, LOT 20

RESIDENTIAL BUILDING PERMIT APPLICATION

- New Construction
- Addition
- Remodels
- Other

Project Address: 2453 WATERS EDGE WAY Assessor Parcel # 274-0510-020

OWNER INFORMATION:

Legal Property Owner: MYERS HOMES OF CALIFORNIA, LLC Phone # 916-851-0530
 Owner Address: 3300 FITZGERALD RD City SAN JOSE CORONA State CA Zip 95742

CONTRACTOR INFORMATION:

Contractor: MYERS HOMES, INC. Lic. # 744473 Phone # 916-851-0530 Fax # 916-851-0535

PROJECT INFORMATION:

Land Use Zone R-1A PUD Occupancy Group R-3 Construction Type YN Fed Code 1A
 No. of stories: 2 No. of rooms: 13 Street width: 50 FT
 1st Floor Area 1611 2nd Floor Area 1044 Basement N/A Roof Material TILE

AREA IN SQUARE FOOT OF:	EXISTING	NEW
Dwelling/Living	_____	<u>2655</u>
Garage/Storage	_____	<u>660</u>
Decks/Balconies	_____	<u>118</u> COVERED FRONT PORCH
Carports	_____	_____

SCOPE OF WORK: NEW CONSTRUCTION OF SINGLE FAMILY RESIDENCE, RIVERWALK SERIES II, PLAN 6 / 2655 #1 IN MASTER PLAN COMMUNITY P99-075

P97-005 AMENDED

FOR OFFICE USE ONLY

- Information above complete
- Violation files checked
- Standard setbacks
- County Sewer
- AR Flood Waiver required
- Flood Elevation Certificate Required
- Water Development Infill Area
- Planning Approval
- Design Review Approval
- Special Fee Districts Apply : _____

NEW STRUCTURES & ADDITIONS

*THE FOLLOWING MUST BE PROVIDED IN ORDER TO SUBMIT FOR PLAN REVIEW

- 2 COMPLETE PLANS, LEGIBLE & DRAWN TO SCALE Plot 8.5" x 11" DRAINAGE INFO Plans to include: site plan, floor plan, elevations, roof/ceiling plan, foundation and structural framing details, and structural calculations for non-conforming structures.
- 3 SETS IF PROJECT IS IN A DESIGN REVIEW AREA
- Title 24 Energy Compliance documentation
- Grading and Erosion Control Questionnaire
- 11" x 17" copy of floor plan for County Assessor
- Plan Review Fees

Date: _____

Received by: (staff) _____

ACTIVITY/PERMIT # _____

CERTIFICATION OF INSULATION

<p style="text-align: center;">ADDRESS OR TRACT</p> <p style="font-size: 2em; font-family: cursive;">MEYERS</p> <p style="text-align: right; font-size: 1.5em;">LOT # 20</p> <p style="font-size: 1.5em; font-family: cursive;">River Walk SERIES II</p>	<p style="text-align: center;">SACRAMENTO INSULATION CONTRACTORS</p> <p><input checked="" type="checkbox"/> P.O. BOX 854, WEST SACRAMENTO, CA 95691 LIC. #202026</p> <p><input type="checkbox"/> 1309 MELODY ROAD, MARYSVILLE, CA 95901 LIC. #202026</p> <p><input type="checkbox"/> P.O. BOX 9651, FRESNO, CA 93793-9651 LIC. #202026</p> <p><input type="checkbox"/> P.O. BOX 1631, RENO, NV 89505 LIC. #10675</p> <p><input type="checkbox"/> 3326 A PONDEROSA WAY, LAS VEGAS, NV 89118 LIC. #10675</p> <p>DATE INSULATION COMPLETED</p>
---	--

WALLS		CEILINGS			FLOORS	
(SQUARE FEET)		(SQUARE FEET)			(SQUARE FEET)	
TYPE OF INSULATION		TYPE OF INSULATION			TYPE OF INSULATION	
MATERIAL FIBERGLASS	MATERIAL FIBERGLASS	MATERIAL FIBERGLASS			MATERIAL FIBERGLASS	
FORM BATTS	FORM BATTS & BLOW	FORM BATTS & BLOW			FORM BATTS	
MANUFACTURER'S PRODUCT I D		MANUFACTURER'S PRODUCT I D			MANUFACTURER'S PRODUCT I D	
MANUFACTURER		MANUFACTURER			MANUFACTURER	
OCF		OCF			OCF	
BAGS						
R - VALUE INSTALLED	APPLIED THICKNESS	R - VALUE INSTALLED	APPLIED THICKNESS	MIN. INSTALLED WEIGHT PER SQUARE FOOT	R - VALUE INSTALLED	APPLIED THICKNESS
13	3 5/8"	30 30	9" 12"			
KNEE WALLS IF R-VALUE IS OTHER THAN WALLS ABOVE						
MATERIAL FIBERGLASS		FORM BATTS		R VALUE		MANUFACTURER OCF
AIR INFILTRATION SEALANT						
MATERIAL FOAM				MANUFACTURER W R GRACE		

THIS IS TO CERTIFY THAT INSULATION AND/OR SEALANT HAS BEEN INSTALLED IN CONFORMANCE WITH APPLICABLE CODES, MATERIAL STANDARDS AND REGULATIONS.

SIGNATURE - INSULATION CONTRACTOR 	TITLE MANAGER	DATE 1-7-00
SIGNATURE - GENERAL CONTRACTOR	TITLE	DATE
REMARKS		

OMEGA PRODUCTS CORP.

DIAMOND WALL INSULATING STUCCO SYSTEM

JOB ADDRESS:

ICBO Report #4004

Lot 20
2453 WATERS EDGE WAY

Date of Job Completion 1-24-00

PLASTERING CONTRACTOR:

Name: Norcac Plastering

Address: Box 355 Lincoln, Ca. 95648

Telephone No: (916) 645-7337

Contractor Number of Diamond Wall System 2130

This is to certify that the exterior coating system on the building exterior at the above address has been installed in accordance with the evaluation report specified above and the manufacturer's instructions.

2-2-00
Date

Jim Gustafson
Signature of authorized representative of
Plastering Contractor

This installation card must be presented to the building inspector after completion of work and before final inspection.

MYERS HOMES

February 11, 2000

CITY OF SACRAMENTO BUILDING DEPT.
ATTN: DON DUNFORD

DON

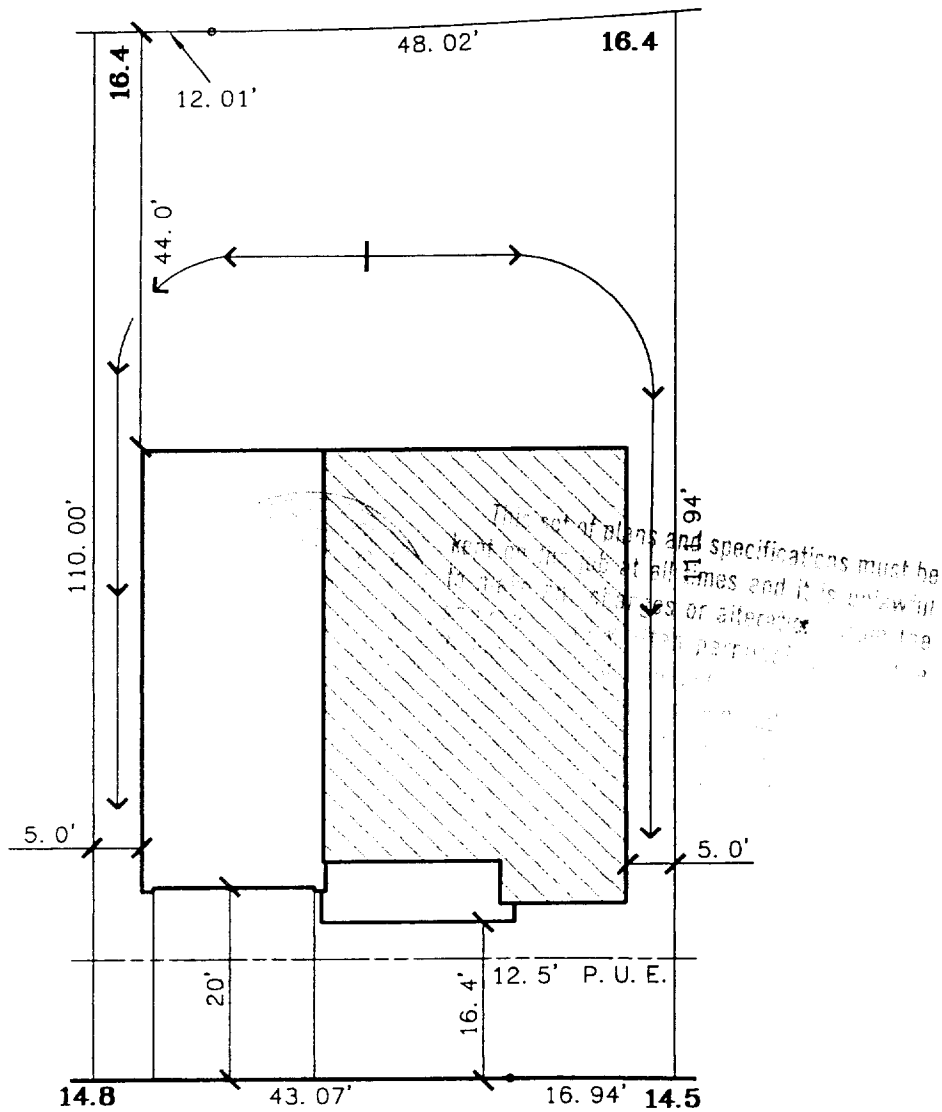
DUE TO THE INCLEMENT WEATHER WE HAVE BEEN EXPERIENCING THE PAST
TWO MONTHS, WE HAVE NOT BEEN ABLE TO COMPLETE THE LANDSCAPING
AND/OR FENCING ON THE FOLLOWING LOTS. WE REQUEST A CONDITIONAL
FINAL INSPECTION AND AGREE TO COMPLETE LANDSCAPING/FENCING WITHIN
60 DAYS OF SAID CONDITIONAL FINAL. WE AGREE TO REQUEST A FOLLOW-UP
INSPECTION AT THE TIME THE LANDSCAPING/FENCING IS COMPLETE. THIS
REQUEST IS NECESSARY IN ORDER TO FACILITATE SCHEDULED BUYER MOVE
IN DATES.

LOT NR.	ADDRESS	PERMIT NR.
20	2453 WATERS EDGE WAY	9909037

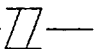
SINCERELY


JIM MOLTZEN BEN MOLNAR
SUPERINTENDENTS, MYERS HOMES

.....



WATERS EDGE WAY

SCALE: 1" = 20' 

DATE: 8-4-99
 A.P.N.:
 ADDRESS: 2453 WATERS EDGE WAY

LOT AREA: 6,629 SF
 LOT COVERAGE: 34%

<p>The Spink Corporation 2590 VENTURE OAKS WAY SACRAMENTO, CA. 95833 PH:(916)925-5550 FAX:(916)921-9274</p>	<p>RIVERWALK UNIT NO. 1 LOT 20 PLAN 2655C</p>	<p>RIVERWALK CITY OF SACRAMENTO, CA. CLIENT: MYERS HOMES JOB NO.: 1456-001</p>
---	---	--