

CITY OF SACRAMENTO
1231 I Street, Sacramento, CA 95814

Permit No: 0107391
Insp Area: 4

Site Address: 11 PINNACLES CR SAC
Parcel No: 225-1470-049 NORTHPT PK 6 LOT 49

Sub-Type: NSFR
Housing (Y/N): N

CONTRACTOR
WESTERN PACIFIC HOUSING
1210 CENTRAL BLVD
BRENTWOOD CA. 94513

OWNER

ARCHITECT

Nature of Work: MP 2219 2 STORY 9 ROOM SFR

CONSTRUCTION LENDING AGENCY: I hereby affirm under penalty of perjury that there is a construction lending agency for the performance of the work for which this permit is issued (Sec. 3097, Civ. C.).

Lender's Name _____ Lender's Address _____

LICENSED CONTRACTORS DECLARATION: I hereby affirm under penalty of perjury that I am licensed under provisions of Chapter 9 (commencing with section 7000) of Division 3 of the Business and Professions Code and my license is in full force and effect.

License Class D License Number 675709 Date 6/15/11 Contractor Signature N. Collins

OWNER-BUILDER DECLARATION: I hereby affirm under penalty of perjury that I am exempt from the contractors License Law for the following reason (Sec. 7031.5, Business and Professions Code, any city or county which requires a permit to construct, alter, improve, demolish, or repair any structure, prior to its issuance, also requires the applicant for such permit to file a signed statement that he or she is licensed pursuant to the provisions of the Contractors License Law (Chapter 9 (commencing with Section 7000) of Division 8 of the Business and Professions Code) or that he or she is exempt therefrom and the basis for the alleged exemption. Any violation of Section 7031.5 by any applicant for a permit subjects the applicant to a civil penalty of not more than five hundred dollars (\$500.00).

I, as a owner of the property, or my employees with wages as their sole compensation, will do the work, and the structure is not intended or offered for sale (Sec. 7044, Business and Professional Code: The Contractors License Law does not apply to an owner of property who builds or improves thereon, and who does such work himself or herself or through his/her own employees, provided that such improvements are not intended or offered for sale. If, however, the building or improvement is sold within one year of completion, the owner-builder will have the burden of proving that he/she did not build or improve for the purpose of sale.)

I, as owner of the property, am exclusively contracting with licensed contractors to construct the project (Sec. 7044, Business and Professions Code: The Contractors License Law does not apply to an owner of property who builds or improves thereon, and who contracts for such projects with a contractor(s) licensed pursuant to the Contractors License Law)

I am exempt under Sec _____ B & PC for this reason _____
Date _____ Owner Signature _____

IN ISSUING THIS BUILDING PERMIT, the applicant represents, and the city relies on the representation of the applicant, that the applicant verified all measurements and locations shown on the application or accompanying drawings and that the improvement to be constructed does not violate any law or private agreement relating to permissible or prohibited locations for such improvements. This building permit does not authorize any illegal location of any improvement or the violation of any private agreement relating to location of improvements.

I certify that I have read this application and state that all information is correct. I agree to comply with all city and county ordinances and state laws relating to building construction and hereby authorize representative(s) of this city to enter upon the abovementioned property for inspection purposes.

Date 6/15/11 Applicant/Agent Signature N. Collins

WORKER'S COMPENSATION DECLARATION: I hereby affirm under penalty of perjury one of the following declarations:

I have and will maintain a certificate of consent to self-insure for workers' compensation as provided for by Section 3700 of the Labor Code, for the performance of work for which the permit is issued

I have and will maintain workers' compensation insurance, as required by Section 3700 of the Labor Code, for the performance of the work for which this permit is issued. My workers' compensation insurance carrier and policy number are:

Carrier EAGLE INS. CO. Policy Number 4S-0000273 Exp Date 03/19/2001

(This section need not be completed if the permit is for \$100 or less) I certify that in the performance of the work for which this permit is issued, I shall not employ any person in any manner so as to become subject to the workers' compensation laws of California and agree that if I should become subject to the workers' compensation provisions of Section 3700 of the Labor Code, I shall forthwith comply with those provisions.

Date 6/15/11 Applicant Signature N. Collins

WARNING: FAILURE TO SECURE WORKER'S COMPENSATION COVERAGE IS UNLAWFUL AND SHALL SUBJECT AN EMPLOYER TO CRIMINAL PENALTIES AND CIVIL FINES UP TO ONE HUNDRED THOUSAND DOLLARS (\$100,000) IN ADDITION TO THE COST OF COMPENSATION, DAMAGES AS PROVIDED FOR IN SECTION 3706 OF THE LABOR CODE, INTEREST AND ATTORNEY'S FEE.

THIS PERMIT SHALL EXPIRE BY LIMITATION IF WORK IS NOT COMMENCED WITHIN 180 DAYS.



CAPITOL ENGINEERING LABORATORIES, INC.

631 Commerce Drive, Suite #200 • Roseville, California 95678 • (916) 786-2488

JOB REPORT

PAGE: 1

PROJECT NAME: Siemens FILE NO: 531-7

INSPECTOR: [Signature] DATE: 7-31-07

PERSONS CONTACTED: [Signature] PERMIT #:

REFERENCE DOCUMENTS: [Signature] WEATHER: Sunny

SERVICE PROVIDED: CONCRETE (INSP/SAMPLE ONLY/PU) MASONRY WELDING (SHOP/FIELD) SOILS

OTHER [Signature] Epoxy Anchor

Lot 46 proof loaded one 5/8" Epoxy Anchor to (15 lbs) without measurement

Lot 47 proof loaded one 5/8" Epoxy Anchor to (15 lbs) without measurement

Lot 49 proof loaded two 5/8" Epoxy Anchors to (15 lbs) without measurement

COMPLIANCE OF WORK: Acceptable

ATTACHMENTS:

EQUIPMENT/SUPPLIES USED: Hydraulics

NEXT VISIT:

REMARKS:

REVIEWED BY: [Signature] DATE: 7-31-07

CERTIFICATION OF INSULATION

WESTERN PACIFIC
11 Pinnacles
SIENA

LOT # **49**

- P.O. BOX 864, WEST SACRAMENTO, CA 95891 LIC. #202028
- 1309 MELODY ROAD, MARYSVILLE, CA 95901 LIC. #202026
- P.O. BOX 9851, FRESNO, CA 93793-9851 LIC. #202028
- P.O. BOX 1631, RENO, NV 89505 LIC. #10675
- 3325 A PONDEROSA WAY, LAS VEGAS, NV 89118 LIC. #10675

DATE INSULATION COMPLETED

(SQUARE FEET)	(SQUARE FEET)	(SQUARE FEET)
MATERIAL FIBERGLASS	MATERIAL FIBERGLASS	MATERIAL FIBERGLASS
FORM BATTS	FORM BATTS & BLOW	FORM BATTS
MANUFACTURER'S PRODUCT I.D.	MANUFACTURER'S PRODUCT I.D.	MANUFACTURER'S PRODUCT I.D.
OCF	OCF	OCF
	BAGS	
R-VALUE	APPLIED	R-VALUE
13	3 5/8"	30
		30
		9"
		12"

MATERIAL FIBERGLASS	FORM BATTS	R VALUE	MANUFACTURER OCF
----------------------------	-------------------	---------	-------------------------

MATERIAL Foam	MANUFACTURER W R GRACE
----------------------	-------------------------------

SIGNATURE - INSULATION CONTRACTOR <i>[Signature]</i>	TITLE MANAGER	DATE 8-21-01
SIGNATURE - GENERAL CONTRACTOR	TITLE	DATE

REMARKS



BASALITE®
 PACIFIC STUCCO SYSTEMS

4290 Roseville Road
 North Highlands, CA 95660-5710
 (916) 486-4094
 Fax (916) 486-4187

Installation Card
 Fiber Reinforced Stucco

Job Name and Address : WESTERN PACIFIC
SIENA

ICBO# 5269

8.30.01
 Date of job completion
107.49

Plastering Contractor

Name: VISION PLASTERING

Address: 8974 GREEN BARK

Telephone No. () 987-3324

Approved contractor as issued by Basalite/Pacific Stucco.

This is to certify the exterior coating system at the above address, has been installed in accordance with the evaluation report specified above and the manufacturers instructions.

[Signature]

Signature of authorized representative of plastering contractor

9.28.01
 Date

This installation card must be presented to the building inspector after completion of work and before final inspection.

Project Address: 11 Pinnacles Circle
Lot Number: 49

Assessor Parcel # 225-1470-049
Subdivision Northpointe Park Unit # 6

OWNER INFORMATION:

Legal Property Owner: Western Pacific Housing Phone# (925) 634-6023
Owner Address: 1210 Central Boulevard, City Brentwood, State Ca. Zip 94513

CONTRACTOR INFORMATION:

Contractor: Western Pacific Lic# 675709/B Phone # (925) 634-6023 Fax 634-6166

PROJECT INFORMATION:

Land Use Zone RIA Occupancy Group R3 Construction Type VN Fed Code 1A
No. of Stories: 2 No. of Rooms: _____ Street Width: _____
1st Floor Area _____ 2nd Floor Area _____ Basement _____ Roof Material _____

AREA IN SQUARE FOOT OF:

Dwelling/Living 2219
Garage/Storage 626
Decks/Balconies _____
Carports _____

SCOPE OF WORK: _____

- Information Above Complete
- Violation Files Checked
- Standard Setbacks
- County Sewer
- AR Flood Waiver Required
- Flood Elevation Certificate Required
- Water Development Infill Area
- Planning Approval
- Design Review Approval
- Special Fee Districts Apply:

THE FOLLOWING MUST BE PROVIDED IN ORDER TO SUBMIT FOR PERMIT

- 2 COMPLETE PLOT PLANS, LEGIBLE & DRAWN TO SCALE
- 11 X 17 COPY OF FLOOR PLAN WITH FOLLOWING INFORMATION
 - a) Assessor's Parcel Number
 - b) New Floor Area
 - c) Owners Name
 - d) Project Address

Date: _____

Received by: 161911

Permit # _____

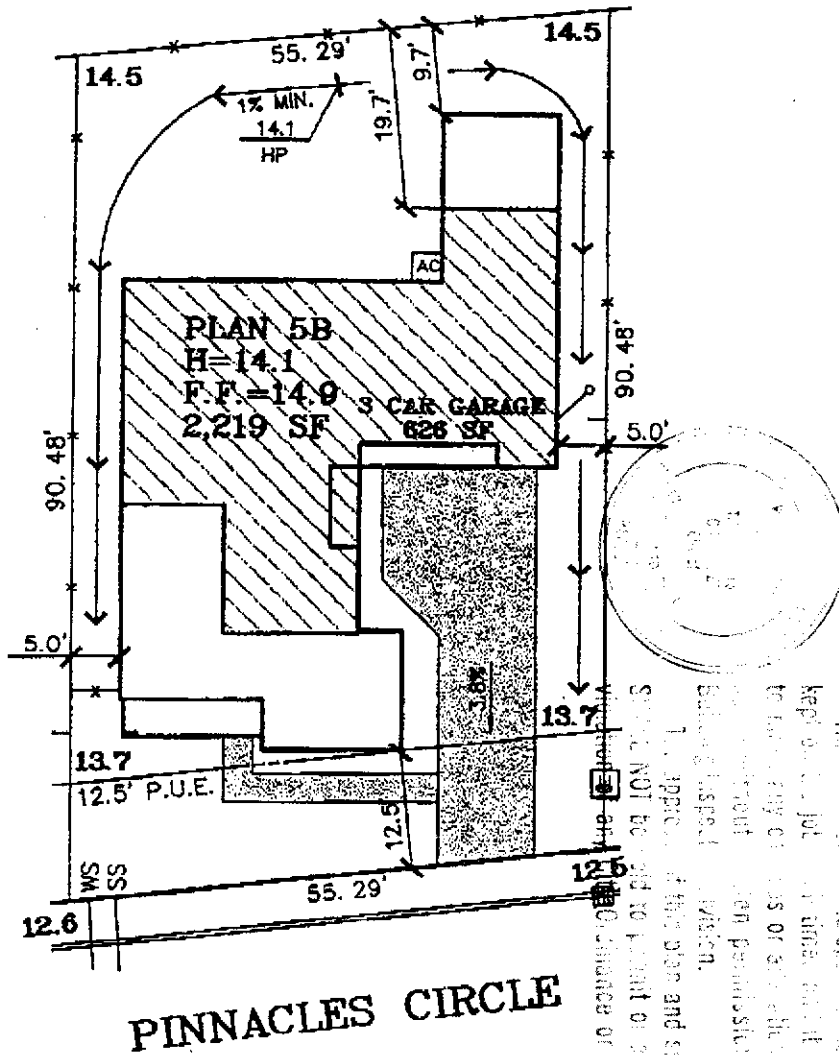
LEGEND

→ SWALE
 □ MAILBOX

* WOOD FENCE
 / SIDEYARD GATE

SS SEWER SERVICE
 WS WATER SERVICE

□ UTILITY SERVICE
 F.F. FINISH FLOOR



This plan and specifications are not to be used for any other project without the written consent of the architect. The architect assumes no responsibility for the construction of the project.



LOT 49
PLAN 5B
A.P.N.:
ADDRESS: 11 PINNACLES CIRCLE
LOT AREA: 4,976 SF

PLAN: S
 ELEVATION: B SIGNED (BUYER) _____ DATE _____
 ORIENTATION: R
 COLOR: 136

DUE TO THE UNIQUE CONDITIONS OF THIS LOT, THE BUYER HAS WALKED AND APPROVED THE SITE. FINAL GRADING CONDITIONS MAY VARY. THE INFORMATION ON THIS PLOT PLAN IS PROVIDED FOR YOUR CONVENIENCE AS A GUIDE TO THE GENERAL LOCATION OF THE SUBJECT PROPERTY. THE ACCURACY OF THIS PLOT PLAN IS NOT GUARANTEED NOR IS IT A PART OF ANY POLICY, REPORT OR GUARANTEE TO WHICH IT MAY BE ATTACHED. ACTUAL DIMENSIONS MAY VARY OR CHANGE WITHOUT PRIOR NOTICE DUE TO ACTUAL SITE CONDITIONS.

The Splink Corporation
 2580 VENTURE OAKS WAY
 SACRAMENTO, CA 95833
 Tel: (916) 926-5560 FAX: (916) 921-9274

Western Pacific Housing
 1210 Central Boulevard
 Brentwood, CA 94513
 office: (925) 634-8023
 fax: (925) 634-8083

SIENA
 NORTHPOINTE PARK UNIT 6
 City of Sacramento, California

Scale: 1"=20' March 27, 2001