

CITY OF SACRAMENTO

1231 I Street, Sacramento, CA 95814

Permit No: 0110901

Insp Area: 2
Thos Bros: 317B1

Site Address: 1066 10TH AV SAC
Parcel No: 012-0352-008

Sub-Type: ASFR
Housing (Y/N): N

CONTRACTOR

OWNER
GLENN WONG
1066 10TH AV
SACRAMENTO, CA 95818

ARCHITECT

Nature of Work: 441 SF LVNG ADDN TO (E) SFR, MAJOR INT RMDL, (N) SHAKE RF
OVER EXISTING, (N) 240 SF DETCHD ACCESSORY STRUCTURE(NOT TO
BE USED FOR LIVING OR SLEEPING PURPOSES)

CONSTRUCTION LENDING AGENCY: I hereby affirm under penalty of perjury that there is a construction lending agency for the performance
of the work for which this permit is issued (Sec. 3097, Civ. C).

Lender's Name: [Signature] Lender's Address: _____

LICENSED CONTRACTORS DECLARATION: I hereby affirm under penalty of perjury that I am licensed under provisions of Chapter 9
(commencing with section 7000) of Division 3 of the Business and Professions Code and my license is in full force and effect.

License Class: _____ License Number: _____ Date: _____ Contractor Signature: _____

OWNER-BUILDER DECLARATION: I hereby affirm under penalty of perjury that I am exempt from the contractors License Law for the
following reason (Sec. 7031.5, Business and Professions Code; any city or county which requires a permit to construct, alter, improve, demolish, or repair
any structure, prior to its issuance, also requires the applicant for such permit to file a signed statement that he or she is licensed pursuant to the provisions
of the Contractors License Law (Chapter 9 (commencing with Section 7000) of Division 8 of the Business and Professions Code) or that he or she is
exempt therefrom and the basis for the alleged exemption. Any violation of Section 7031.5 by any applicant for a permit subjects the applicant to a civil
penalty of not more than five hundred dollars (\$500.00);

I, as a owner of the property, or my employees with wages as their sole compensation, will do the work, and the structure is not intended or offered
for sale (Sec. 7044, Business and Professional Code: The Contractors License Law does not apply to an owner of property who builds or improves
thereon, and who does such work himself or herself or through his/her own employees, provided that such improvements are not intended or offered for
sale. If, however, the building or improvement is sold within one year of completion, the owner-builder will have the burden of proving that he/she did
not build or improve for the purpose of sale.)

I, as owner of the property, am exclusively contracting with licensed contractors to construct the project (Sec. 7044, Business and Professions
Code: The Contractors License Law does not apply to an owner of property who builds or improves thereon, and who contracts for such projects with a
contractor(s) licensed pursuant to the Contractors License Law).

I am exempt under Sec. _____ B & PC for this reason: _____

Date: 10/10/01 Owner Signature: [Signature]

IN ISSUING THIS BUILDING PERMIT, the applicant represents, and the city relies on the representation of the applicant, that the applicant verified
all measurements and locations shown on the application or accompanying drawings and that the improvement to be constructed does not violate any law
or private agreement relating to permissible or prohibited locations for such improvements. This building permit does not authorize any illegal location of
any improvement or the violation of any private agreement relating to location of improvements.

I certify that I have read this application and state that all information is correct. I agree to comply with all city and county ordinances and state laws
relating to building construction and hereby authorize representative(s) of this city to enter upon the abovementioned property for inspection purposes.

Date: 10/10/01 Applicant/Agent Signature: [Signature]

WORKER'S COMPENSATION DECLARATION: I hereby affirm under penalty of perjury one of the following declarations:

I have and will maintain a certificate of consent to self-insure for workers' compensation as provided for by Section 3700 of the Labor Code, for the
performance of work for which the permit is issued.

I have and will maintain workers' compensation insurance, as required by Section 3700 of the Labor Code, for the performance of the work for
which this permit is issued. My workers' compensation insurance carrier and policy number are:

Carrier: [Signature] Policy Number: _____ Exp Date: _____

(This section need not be completed if the permit is for \$100 or less) I certify that in the performance of the work for which this permit is issued, I
shall not employ any person in any manner so as to become subject to the workers' compensation laws of California and agree that if I should become
subject to the workers' compensation provisions of Section 3700 of the Labor Code, I shall forthwith comply with those provisions.

Date: 10/10/01 Applicant Signature: [Signature]

WARNING: FAILURE TO SECURE WORKER'S COMPENSATION COVERAGE IS UNLAWFUL AND SHALL SUBJECT AN EMPLOYER TO
CRIMINAL PENALTIES AND CIVIL FINES UP TO ONE HUNDRED THOUSAND DOLLARS (\$100,000) IN ADDITION TO THE COST OF
COMPENSATION, DAMAGES AS PROVIDED FOR IN SECTION 3706 OF THE LABOR CODE, INTEREST AND ATTORNEY'S FEE.

THIS PERMIT SHALL EXPIRE BY LIMITATION IF WORK IS NOT COMMENCED WITHIN 180 DAYS.

PLANNING AND ZONING REVIEW

..... to be filled out by Planning staff

ADDRESS: 1066 10TH AV

APN: 012-0352-008

ZONING: R-1

DESIGN REVIEW AREA: No

PREVIOUS FILES RELATED TO SITE: NONE

EXISTING LAND USE: S.F. RESIDENTIAL

PROPOSED USE: SAMLS - WITH FRONT AND REAR ADDITIONS TO MAIN STRUCTURE. NEW DETACHED ACCESSORY STRUCTURE IN REAR YARD.

COMMENTS: FRONT ADDITION SHALL NOT ENCRDACH ONTO REQ. 25-FT. FRONT SETBACK AREA. NO MORE THAN 33% OF REQ. REAR YARD SETBACK SHALL BE COVERED BY ACCESSORY STRUCTURES.

(N) STUDIO IS NOT TO BE USED AS LIVING SPACES.

TOTAL LOT COVERAGE OF STRUCTURES ON SITE SHALL NOT EXCEED 40%. DATE: 8/24/01 BY: DH

DOES IT APPEAR THAT THE PROJECT WILL REQUIRE A PLANNING APPLICATION?

YES

NO

(If yes, circle applications needed below)

.....Staff.....ZA.....Planning Commission.....Design Review.....Preservation Review.....

CONCLUSION: NO PLANNING ENTITLEMENT IS REQ'D IF WORK IS EXECUTED ACCORDING TO ABOVE COMMENTS.

DATE: 8/24/01 BY: DH

OWNER-BUILDER VERIFICATION

ATTENTION PROPERTY OWNERS

An owner-builder building permit has been applied for in your name and bearing your signature.

Please complete and return this information in the envelope provided at your earliest opportunity to avoid unnecessary delay in processing and issuing your building permit. No building permit will be issued until this verification is received.

1. I personally plan to provide the major labor and materials for construction of the proposed Improvement (yes or no) YES

2. I (have/have not) HAVE signed an application for A building permit for the proposed work.

3. I have contracted with the following person (firm) to provide the proposed construction:

Name _____ Address _____

City _____ Telephone _____

Contractors License No. _____

4. I plan to provide portions of the work, but I have hired the following person to coordinate, Supervise, and provide the major work.

Name _____ Address _____

City _____ Telephone _____

Contractors License No. _____

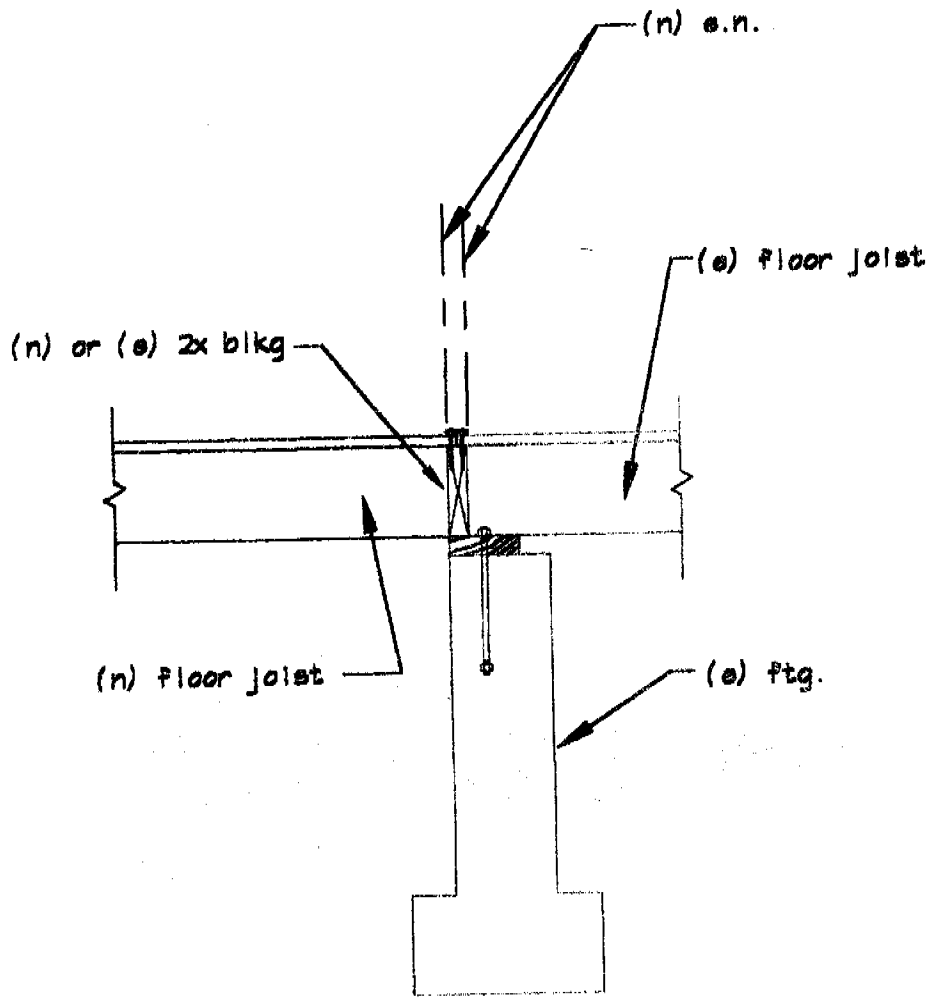
5. I will provide some of the work but I have contracted (hired) the following to provide the Work indicated:

Name	Address	Phone	Type of work

Signed [Signature]

Job Address 1066 10TH AVE

Permit No: 0110901



DETAIL C

3/4" = 1'-0" Revised 12-14-01

ALTERATIONS TO
1066 10th Street
HOUSE
 SACRAMENTO, CA

