

**CITY OF SACRAMENTO**  
1231 I Street, Sacramento, CA 95814

**Permit No: 0107465**  
**Insp Area: 4**

**Site Address: 2275 SWAINSON WY SAC**  
Parcel No: 274-0560-056 SHOREBIRD UNIT 2 LOT 41

Sub-Type: NSFR  
Housing (Y/N): N

CONTRACTOR  
CITATION NORTHERN  
597 CENTER AVE STE 150  
MARTINEZ CAL 94553

OWNER

ARCHITECT

**Nature of Work: MP 2322 2 STORY 9 ROOM SFR**

**CONSTRUCTION LENDING AGENCY:** I hereby affirm under penalty of perjury that there is a construction lending agency for the performance of the work for which this permit is issued (Sec. 3097, Civ. C.)

Lender's Name \_\_\_\_\_ Lender's Address \_\_\_\_\_

**LICENSED CONTRACTORS DECLARATION:** I hereby affirm under penalty of perjury that I am licensed under provisions of Chapter 9 (commencing with section 7000) of Division 3 of the Business and Professions Code and my license is in full force and effect.

License Class B License Number 547764 Date 6/15/01 Contractor Signature [Signature]

**OWNER-BUILDER DECLARATION:** I hereby affirm under penalty of perjury that I am exempt from the contractor License Law for the following reason (Sec. 7031.5, Business and Professions Code; any city or county which requires a permit to construct, alter, improve, demolish, or repair any structure, prior to its issuance, also requires the applicant for such permit to file a signed statement that he or she is licensed pursuant to the provisions of the Contractors License Law (Chapter 9 (commencing with Section 7000) of Division 8 of the Business and Professions Code) or that he or she is exempt therefrom and the basis for the alleged exemption. Any violation of Section 7031.5 by any applicant for a permit subjects the applicant to a civil penalty of not more than five hundred dollars (\$500.00).

I, as a owner of the property, or my employees with wages as their sole compensation, will do the work, and the structure is not intended or offered for sale (Sec. 7044, Business and Professional Code). The Contractors License Law does not apply to an owner of property who builds or improves thereon, and who does such work himself or herself or through his/her own employees, provided that such improvements are not intended or offered for sale. If, however, the building or improvement is sold within one year of completion, the owner-builder will have the burden of proving that he/she did not build or improve for the purpose of sale.)

I, as owner of the property, am exclusively contracting with licensed contractors to construct the project (Sec. 7044, Business and Professions Code). The Contractors License Law does not apply to an owner of property who builds or improves thereon, and who contracts for such projects with a contractor(s) licensed pursuant to the Contractors License Law.

I am exempt under Sec \_\_\_\_\_ B & PC for this reason: \_\_\_\_\_  
Date \_\_\_\_\_ Owner Signature \_\_\_\_\_

**IN ISSUING THIS BUILDING PERMIT,** the applicant represents, and the city relies on the representation of the applicant, that the applicant verified all measurements and locations shown on the application or accompanying drawings and that the improvement to be constructed does not violate any law or private agreement relating to permissible or prohibited locations for such improvements. This building permit does not authorize any illegal location of any improvement or the violation of any private agreement relating to location of improvements.

I certify that I have read this application and state that all information is correct. I agree to comply with all city and county ordinances and state laws relating to building construction and hereby authorize representative(s) of this city to enter upon the abovementioned property for inspection purposes.

Date 6/15/01 Applicant Agent Signature [Signature]

**WORKER'S COMPENSATION DECLARATION:** I hereby affirm under penalty of perjury one of the following declarations:  
I have and will maintain a certificate of consent to self-insure for workers' compensation as provided for by Section 3700 of the Labor Code, for the performance of work for which the permit is issued

I have and will maintain workers' compensation insurance, as required by Section 3700 of the Labor Code, for the performance of the work for which this permit is issued. My workers' compensation insurance carrier and policy number are:

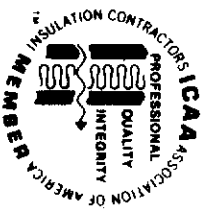
Carrier FREMONT IND CO. Policy Number WN99-70750-03 Exp Date 06/30/2001

(This section need not be completed if the permit is for \$100 or less) I certify that in the performance of the work for which this permit is issued, I shall not employ any person in any manner so as to become subject to the workers' compensation laws of California and agree that if I should become subject to the workers' compensation provisions of Section 3700 of the Labor Code, I shall forthwith comply with those provisions.

Date 6/15/01 Applicant Signature [Signature]

**WARNING: FAILURE TO SECURE WORKER'S COMPENSATION COVERAGE IS UNLAWFUL AND SHALL SUBJECT AN EMPLOYER TO CRIMINAL PENALTIES AND CIVIL FINES UP TO ONE HUNDRED THOUSAND DOLLARS (\$100,000) IN ADDITION TO THE COST OF COMPENSATION, DAMAGES AS PROVIDED FOR IN SECTION 3706 OF THE LABOR CODE, INTEREST AND ATTORNEY'S FEE.**

**THIS PERMIT SHALL EXPIRE BY LIMITATION IF WORK IS NOT COMMENCED WITHIN 180 DAYS.**



# INSULATION CONTRACTORS ASSOCIATION OF AMERICA

INSULATION  
CERTIFICATE  
**74439**

1321 DUKE STREET, SUITE 303 • ALEXANDRIA, VA 22314 • (703) 739-0356

THIS IS TO CERTIFY THAT INSULATION HAS BEEN INSTALLED IN CONFORMANCE WITH CURRENT ENERGY REGULATIONS, CALIFORNIA ADMINISTRATIVE CODE TITLE 24, STATE OF CALIFORNIA, IN THE BUILDING LOCATED AT

Unbonded LOT # 4 TRACT # \_\_\_\_\_

STREET 2275 Swainson CITY San Jose

### EXTERIOR WALLS:

MANUFACTURER CT THICKNESS/TYPE 2 1/2" R- VALUE 13

### CEILINGS:

BATTS: MANUFACTURER CT THICKNESS/TYPE 1 1/2" R- VALUE 30

BLOWN IN: MANUFACTURER unbonded MINIMUM THICKNESS 14 3/4" R- VALUE 38

MANUFACTURER \_\_\_\_\_ THICKNESS \_\_\_\_\_ R- VALUE \_\_\_\_\_

SQUARE FOOTAGE COVERED 1108 NUMBER OF BAGS USED \_\_\_\_\_

FLOORS: MANUFACTURER \_\_\_\_\_ THICKNESS/TYPE \_\_\_\_\_ R- VALUE \_\_\_\_\_

SLAB ON GRADE: MANUFACTURER \_\_\_\_\_ THICKNESS/TYPE \_\_\_\_\_ R- VALUE \_\_\_\_\_

MANUFACTURER \_\_\_\_\_ THICKNESS/TYPE \_\_\_\_\_ R- VALUE \_\_\_\_\_

WIDTH OF INSULATION \_\_\_\_\_ INCHES

FOUNDATION WALLS: MANUFACTURER \_\_\_\_\_ THICKNESS/TYPE \_\_\_\_\_ R- VALUE \_\_\_\_\_

GENERAL CONTRACTOR \_\_\_\_\_ DATE \_\_\_\_\_

CALIFORNIA CONTRACTORS LICENSE # \_\_\_\_\_

INSULATION CONTRACTOR **ARCADE INSULATION** TITLE \_\_\_\_\_

CALIFORNIA CONTRACTORS LICENSE #263784 12/20/01 DATE \_\_\_\_\_

[Signature]  
SIGNATURE

[Signature]  
TITLE

**RESIDENTIAL BUILDING PERMIT APPLICATION**

New Construction     Addition     Remodels     Other

Project Address: 2275 SWANSON WAY Assessor Parcel # 274-0560-058

**OWNER INFORMATION:**

Legal Property Owner: Citation Northern Phone # (925) 372-0300  
 Owner Address: 597 Center Avenue, #150 City Martinez State CA Zip 94553

**CONTRACTOR INFORMATION:**

Contractor: Citation Northern Lic. # 547764 Phone # 925-372-0300 Fax # 925-228-1833

**PROJECT INFORMATION:**

Land Use Zone _____	Occupancy Group _____	Construction Type _____	Fed Code _____
No. of stories: <u>2</u>	No. of rooms: <u>9</u>	Street width: <u>46'</u> R/W	
1 <sup>st</sup> Floor Area <u>1,241</u>	2 <sup>nd</sup> Floor Area <u>1,081</u>	Basement _____	Roof Material <u>TILE</u>
<b>AREA IN SQUARE FOOT OF:</b>		<b>EXISTING</b>	<b>NEW</b>
Dwelling/Living	_____	_____	<u>2,322</u>
Garage/Storage	_____	_____	<u>635</u>
Decks/Balconies	_____	_____	_____
Carports	_____	_____	<u>2957</u>
SCOPE OF WORK: <u>Single Family</u>			Plan 23 MASTER

**FOR OFFICE USE ONLY**

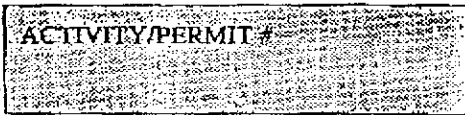
- |   |   |   |
|---|---|---|
| <input type="checkbox"/> Information above complete | <input type="checkbox"/> AR Flood Waiver required             | <input type="checkbox"/> Planning Approval                  |
| <input type="checkbox"/> Violation files checked    | <input type="checkbox"/> Flood Elevation Certificate Required | <input type="checkbox"/> Design Review Approval             |
| <input type="checkbox"/> Standard setbacks          | <input type="checkbox"/> Water Development Infill Area        | <input type="checkbox"/> Special Fee Districts Apply: _____ |
| <input type="checkbox"/> County Sewer               |   |   |

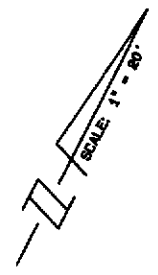
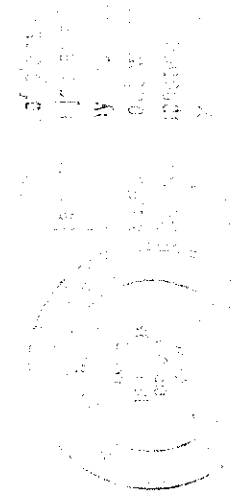
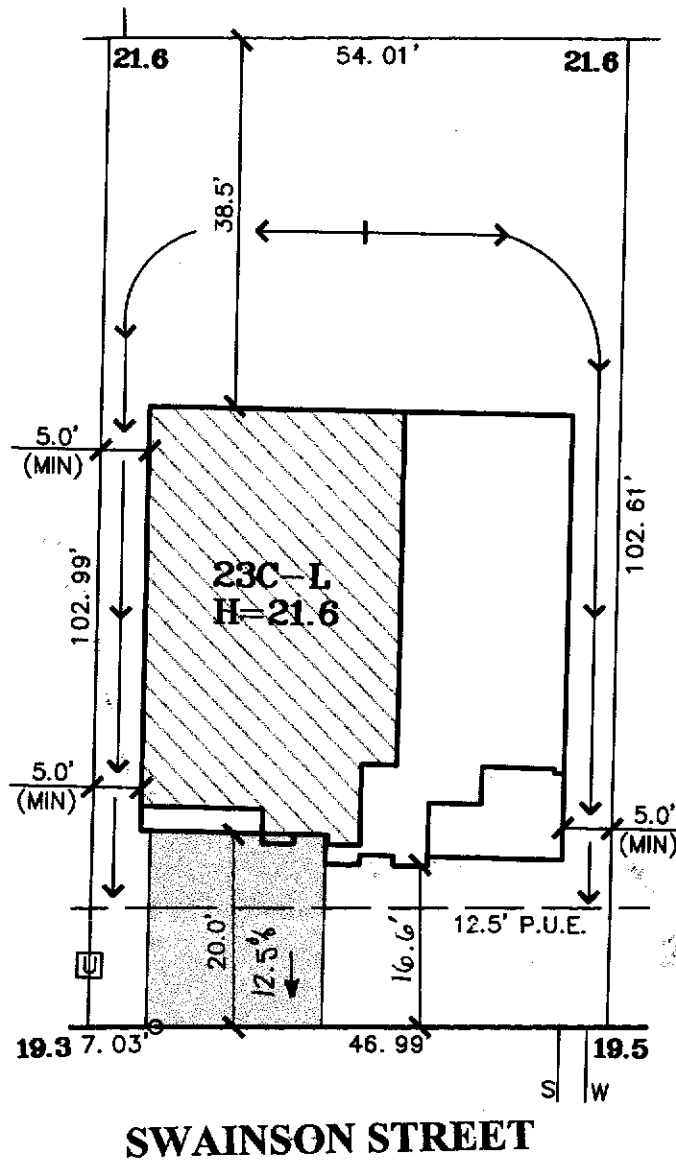
**NEW STRUCTURES & ADDITIONS**

◆ THE FOLLOWING MUST BE PROVIDED IN ORDER TO SUBMIT FOR PLAN REVIEW

- |   |   |
|---|---|
| <input type="checkbox"/> 2 COMPLETE PLANS, LEGIBLE & DRAWN TO SCALE   | ◆ Plans to include: site plan, floor plan, elevations, roof/ceiling plan, foundation and structural framing details, and structural calculations for non-conforming structures. |
| <input type="checkbox"/> 3 SETS IF PROJECT IS IN A DESIGN REVIEW AREA |   |
| <input type="checkbox"/> Title 24 Energy Compliance documentation     | <input type="checkbox"/> 11" x 17" copy of floor plan for County Assessor   |
| <input type="checkbox"/> Grading and Erosion Control Questionnaire    | <input type="checkbox"/> Plan Review Fees   |

Date: \_\_\_\_\_ Received by: (staff) \_\_\_\_\_





DATE: 5-17-01  
 A.P.N.:  
 ADDRESS: SWAINSON STREET

LOT AREA: 5,553 SF  
 LOT COVERAGE: 36%

**Stantec**  
 Stantec Consulting Inc.  
 2590 Venture Oaks Way  
 Sacramento, CA 95833-3288  
 Tel. 916.925.5550  
 Fax. 916.921.9274  
 www.stantec.com

**SHOREBIRD  
 UNIT NO. 2**  
 LOT 41  
 PLAN 23C

**SHOREBIRD**  
 CITY OF SACRAMENTO, CA  
 CLIENT: CITATION NORTHERN  
 JOB NO.: 1579-001