

CITY OF SACRAMENTO
1231 I Street, Sacramento, CA 95814

Permit No: 9910351
Insp Area: 3

Site Address: 8470 BELVEDERE AV SAC
Parcel No: 061-0140-057

Sub-Type: ACOM
Housing (Y/N): N

CONTRACTOR
GIBSON CONSTR.

OWNER
GARMAN STEVEN/KATHY
SANTA ROSA CA
95402

ARCHITECT

Nature of Work: 2 DEMISING WALLS

CONSTRUCTION LENDING AGENCY : I hereby affirm under penalty of perjury that there is a construction lending agency for the performance of the work for which this permit is issued (Sec. 3097, Civ. C).

Lender's Name _____ Lender's Address _____

LICENSED CONTRACTORS DECLARATION: I hereby affirm under penalty of perjury that I am licensed under provisions of Chapter 9 (commencing with section 7000) of Division 3 of the Business and Professions Code and my license is in full force and effect.

License Class _____ License Number _____ Date _____ Contractor Signature _____

OWNER-BUILDER DECLARATION: I hereby affirm under penalty of perjury that I am exempt from the contractors License Law for the following reason (Sec. 7031.5, Business and Professions Code; any city or county which requires a permit to construct, alter, improve, demolish, or repair any structure, prior to its issuance, also requires the applicant for such permit to file a signed statement that he or she is licensed pursuant to the provisions of the Contractors License Law (Chapter 9 (commencing with Section 7000) of Division 8 of the Business and Professions Code) or that he or she is exempt therefrom and the basis for the alleged exemption. Any violation of Section 7031.5 by any applicant for a permit subjects the applicant to a civil penalty of not more than five hundred dollars (\$500.00).

~~✓~~ I, as a owner of the property, or my employees with wages as their sole compensation, will do the work, and the structure is not intended or offered for sale (Sec. 7044, Business and Professional Code). The Contractors License Law does not apply to an owner of property who builds or improves thereon, and who does such work himself or herself or through his/her own employees, provided that such improvements are not intended or offered for sale. If, however, the building or improvement is sold within one year of completion, the owner-builder will have the burden of proving that he/she did not build or improve for the purpose of sale.)

→ I, as owner of the property, am exclusively contracting with licensed contractors to construct the project (Sec. 7044, Business and Professions Code). The Contractors License Law does not apply to an owner of property who builds or improves thereon, and who contracts for such projects with a contractor(s) licensed pursuant to the Contractors License Law).

I am exempt under Sec. _____ B & PC for this reason: _____

X Date 9-15-99 Owner Signature _____

IN ISSUING THIS BUILDING PERMIT, the applicant represents, and the city relies on the representation of the applicant, that the applicant verified all measurements and locations shown on the application or accompanying drawings and that the improvement to be constructed does not violate any law or private agreement relating to permissible or prohibited locations for such improvements. This building permit does not authorize any illegal location of any improvement or the violation of any private agreement relating to location of improvements.

I certify that I have read this application and state that all information is correct. I agree to comply with all city and county ordinances and state laws relating to building construction and hereby authorize representative(s) of this city to enter upon the abovementioned property for inspection purposes.

Y Date 9-15-99 Applicant/Agent Signature _____

WORKER'S COMPENSATION DECLARATION: I hereby affirm under penalty of perjury one of the following declarations:

I have and will maintain a certificate of consent to self-insure for workers' compensation as provided for by Section 3700 of the Labor Code, for the performance of work for which the permit is issued.

I have and will maintain workers' compensation insurance, as required by Section 3700 of the Labor Code, for the performance of the work for which this permit is issued. My workers' compensation insurance carrier and policy number are:

Carrier _____ Policy Number _____ Exp Date _____

→ I (This section need not be completed if the permit is for \$100 or less) I certify that in the performance of the work for which this permit is issued, I shall not employ any person in any manner so as to become subject to the workers' compensation laws of California and agree that if I should become subject to the workers' compensation provisions of Section 3700 of the Labor Code, I shall forthwith comply with those provisions.

Y Date 9-15-99 Applicant Signature _____

WARNING - FAILURE TO SECURE WORKER'S COMPENSATION COVERAGE IS UNLAWFUL AND SHALL SUBJECT AN EMPLOYER TO CRIMINAL PENALTIES AND CIVIL FINES UP TO ONE HUNDRED THOUSAND DOLLARS (\$100,000) IN ADDITION TO THE COST OF COMPENSATION, DAMAGES AS PROVIDED FOR IN SECTION 3706 OF THE LABOR CODE, INTEREST AND ATTORNEY'S FEE.

THIS PERMIT SHALL EXPIRE BY LIMITATION IF WORK IS NOT COMMENCED WITHIN 180 DAYS.

OWNER-BUILDER VERIFICATION

ATTENTION PROPERTY OWNERS

An owner-builder building permit has been applied for in your name and bearing your signature.

Please complete and return this information in the envelope provided at your earliest opportunity to avoid unnecessary delay in processing and issuing your building permit. No building permit will be issued until this verification is received.

1. I personally plan to provide the major labor and materials for construction of the proposed Improvement (yes or no) _____
2. I (have) have not) _____ signed an application for A building permit for the proposed work.

3. I have contracted with the following person (firm) to provide the proposed construction:

Name Gibson Const Address 6535 Mel Court
City Citrus Heights^{Co} Telephone 969-2551
Contractors License No. _____

4. I plan to provide portions of the work, but I have hired the following person to coordinate, Supervise, and provide the major work.

Name NA Address _____
City _____ Telephone _____
Contractors License No. _____

5. I will provide some of the work but I have contracted (hired) the following to provide the Work indicated:

Name	Address	Phone	Type of work
<u>NA</u>			

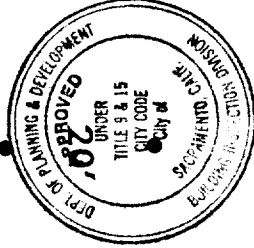
Signed [Signature]

Job Address 8470 BELVEDERE AV2

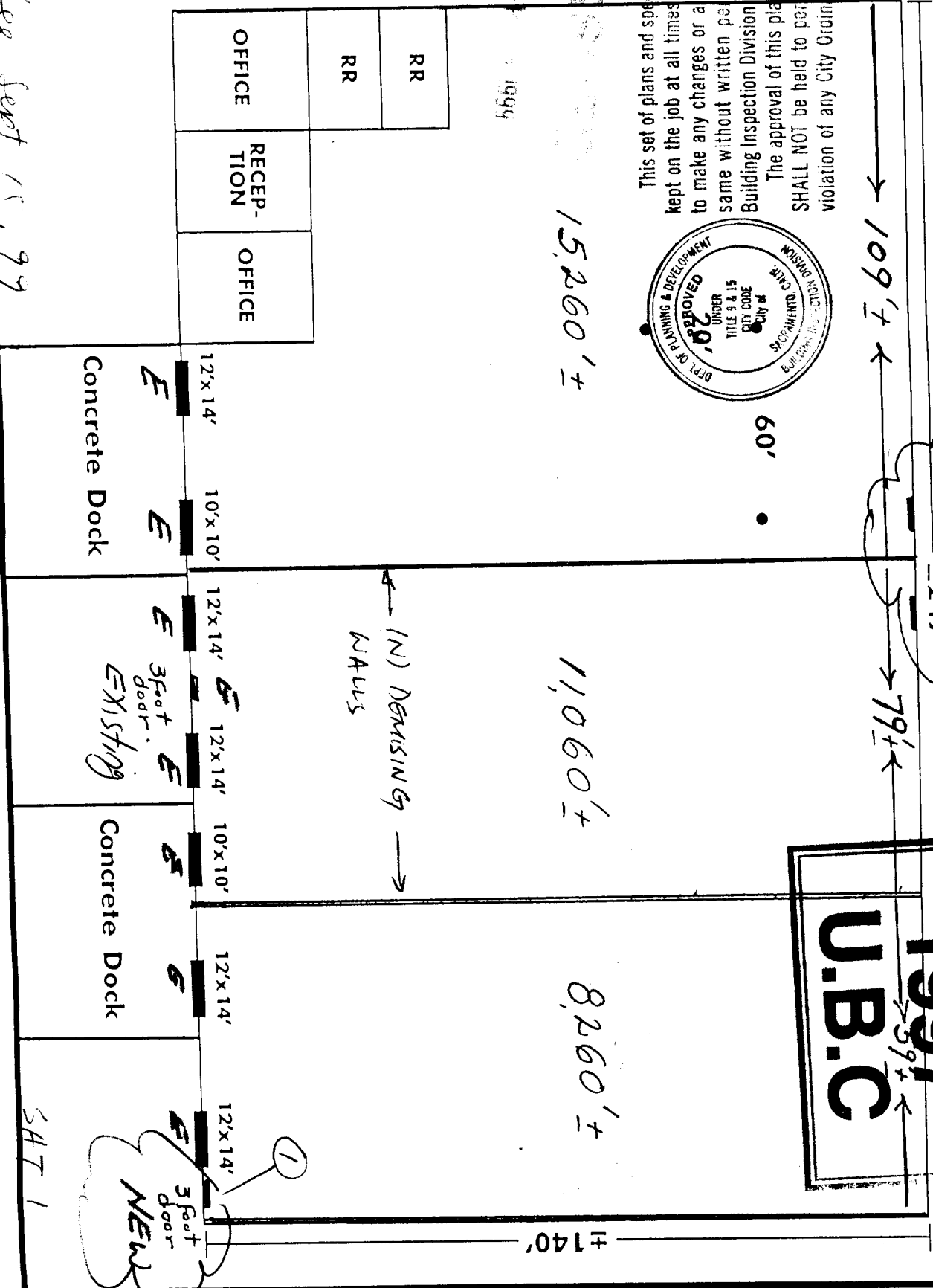
Permit No: 9910351

8470 BEVEDERE AVENUE SACRAMENTO, CA

This set of plans and specifications must be kept on the job at all times and it is unlawful to make any changes or alterations from the same without written permission from the Building Inspection Division
 The approval of this plan and specification SHALL NOT be held to permit or approve the violation of any City Ordinance or State Law.

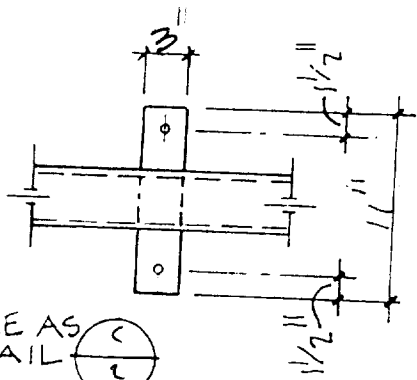


PLAN



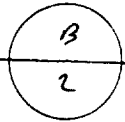
① SEE (N) TS FRAMING AROUND (N) WALL OPENING ON SH-T 2.

C.Y. Lee Sept 15, 99



SAME AS
DETAIL

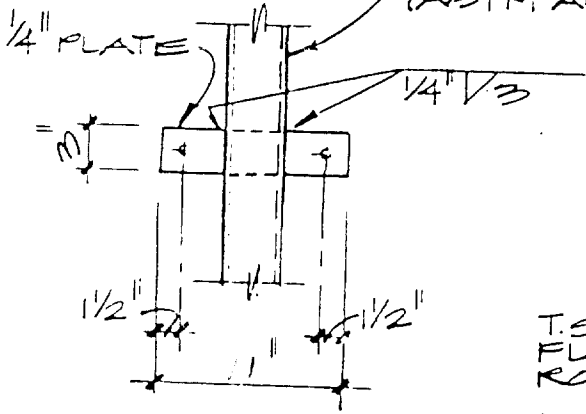
VIEW



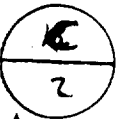
(2) 1/2" ϕ x 4" EMBED
HILTI CARBOR STEEL
KWIK BOLT II PER ER
4627 @ 24" O.C.

3/16"

T.S. 5x5 x 3/16" $F_y = 46$ KSI
(ASTM A500, GR. B)

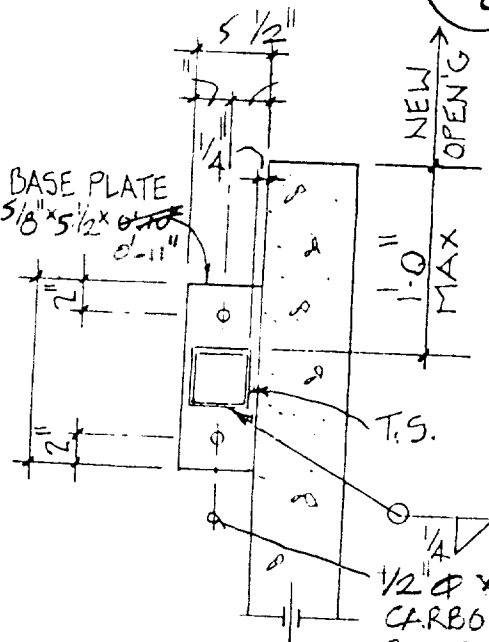


VIEW



(2) 1/2" ϕ x 4" EMBED
HILTI CARBOR STEEL
KWIK BOLT II PER ICBO
ER 4627 @ 24" O.C.

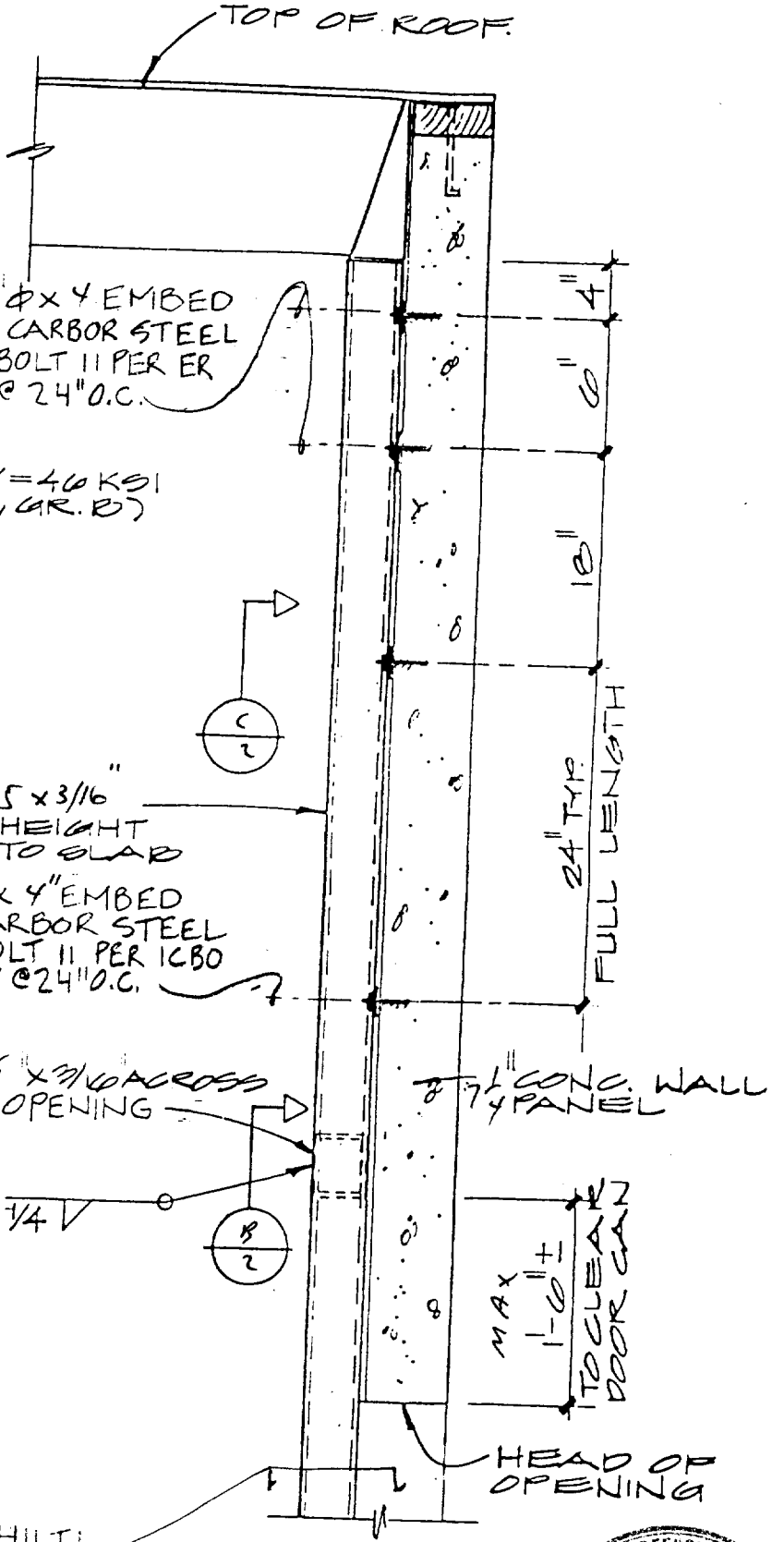
T.S. 5 x 5 x 3/16" $F_y = 46$ KSI
FULL HEIGHT
ROOF TO SLAB



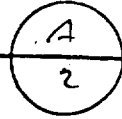
DETAIL

PLAN VIEW @ EDGE
OF OPENING

@ BASE PLATE

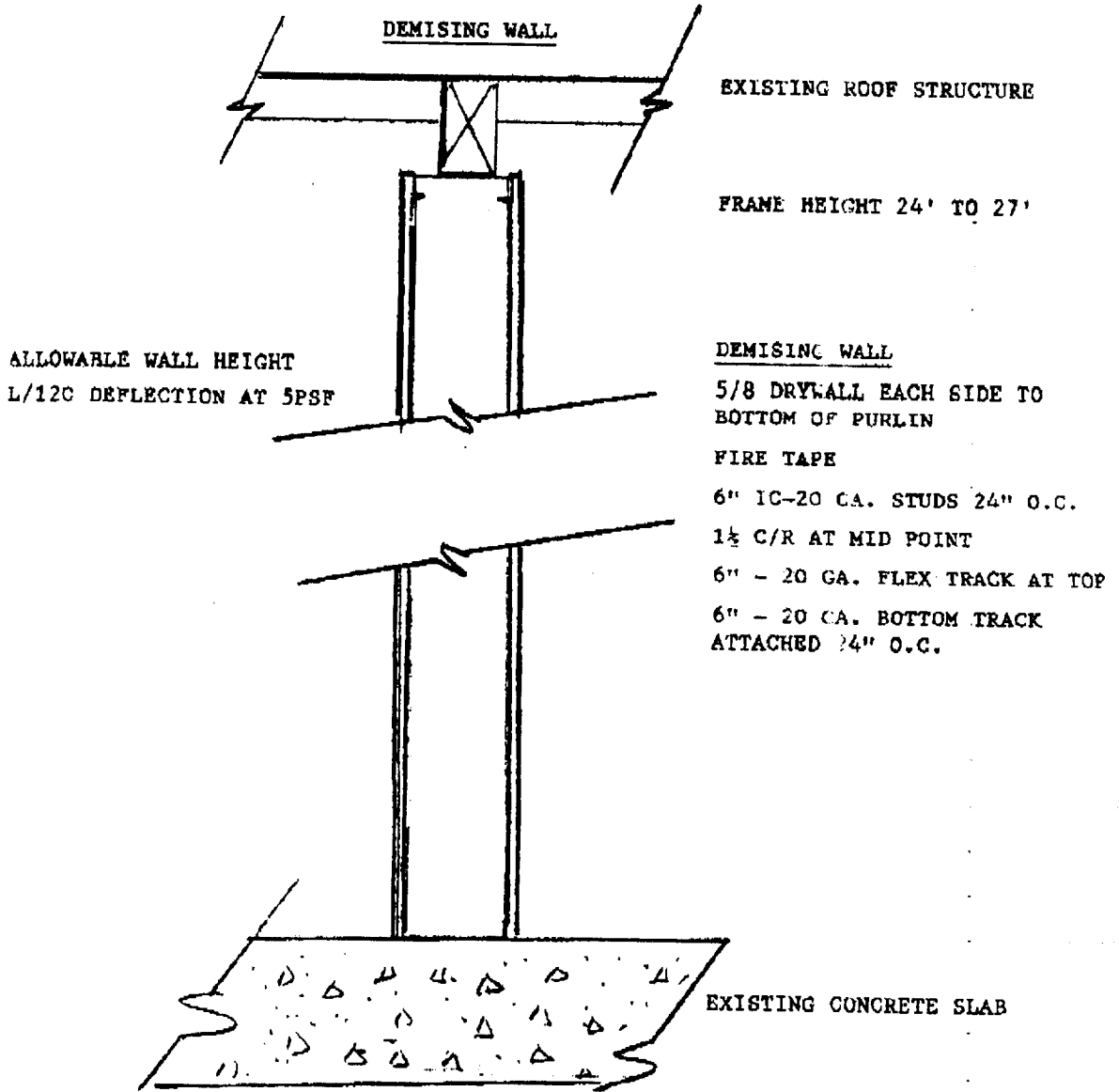


SECTION



SHT 2

PROJECT: 8470 BELVEDERE / UNIT "C"



ALLOWABLE WALL HEIGHT
L/120 DEFLECTION AT 5PSF

EXISTING ROOF STRUCTURE

FRAME HEIGHT 24' TO 27'

DEMISING WALL

5/8 DRYWALL EACH SIDE TO
BOTTOM OF PURLIN

FIRE TAPE

6" IC-20 GA. STUDS 24" O.C.

1 1/2" C/R AT MID POINT

6" - 20 GA. FLEX TRACK AT TOP

6" - 20 GA. BOTTOM TRACK
ATTACHED 24" O.C.

EXISTING CONCRETE SLAB

SEPTEMBER 10, 1999

NOT TO SCALE

DRAWING BY: GEORGE H. GIBSON

547 3