

**THIS IS A 2 PART FORM  
WRITE ON A FIRM SURFACE**

CONSTRUCTION LENDING AGENCY

I hereby affirm under penalty of perjury that there is a construction lending agency for the jurisdiction of this state for which this permit is being issued. (SAC, RMP, CIVIL)

Contractor Name \_\_\_\_\_  
Contractor Address \_\_\_\_\_

LICENSED CONTRACTORS DECLARATION

I hereby affirm under penalty of perjury that I am licensed under provisions of Chapter 9, commencing with Section 70001 of Division 5 of the Business and Professions Code and my license is in full force and effect.

License Class C-45 Lic. Number 745555  
Date 12/6/00 Contractor Alan Jrd  
(Signature)

OWNER - BUILDER DECLARATION

I hereby affirm under penalty of perjury that I am exempt from the Contractors License Law for the following reason: (See Part 5, Business and Professions Code: Any city or county which requires a permit to construct, alter, improve, demolish, or repair any structure, prior to its issuance, also requires the applicant for such permit to file a declaration of the contractor's license. The contractor, in such case, is not required to file a contractor's license. Any contractor of Statewide jurisdiction who is an applicant for a permit to construct, alter, improve, demolish, or repair any structure, must file a contractor's license. Any contractor of Statewide jurisdiction who is an applicant for a permit to construct, alter, improve, demolish, or repair any structure, must file a contractor's license. Any contractor of Statewide jurisdiction who is an applicant for a permit to construct, alter, improve, demolish, or repair any structure, must file a contractor's license. Any contractor of Statewide jurisdiction who is an applicant for a permit to construct, alter, improve, demolish, or repair any structure, must file a contractor's license.

I hereby affirm under penalty of perjury that I am exempt from the Contractors License Law for the following reason: (See Part 5, Business and Professions Code: Any city or county which requires a permit to construct, alter, improve, demolish, or repair any structure, prior to its issuance, also requires the applicant for such permit to file a declaration of the contractor's license. The contractor, in such case, is not required to file a contractor's license. Any contractor of Statewide jurisdiction who is an applicant for a permit to construct, alter, improve, demolish, or repair any structure, must file a contractor's license. Any contractor of Statewide jurisdiction who is an applicant for a permit to construct, alter, improve, demolish, or repair any structure, must file a contractor's license. Any contractor of Statewide jurisdiction who is an applicant for a permit to construct, alter, improve, demolish, or repair any structure, must file a contractor's license. Any contractor of Statewide jurisdiction who is an applicant for a permit to construct, alter, improve, demolish, or repair any structure, must file a contractor's license.

USE BLACK INK BALL POINT PEN — PRESS FIRMLY  
**SIGN PERMIT APPLICATION**

SITE ADDRESS: 1127 SUITE \_\_\_\_\_ INSPE. AREA 1  
425 Alhambra

ASSESSOR PARCEL NO: 007-0182-001 PERMIT NO. 0100308

LICENSED CONTRACTOR NAME OF APPLICANT: Visible Graphics ADDRESS: 15216 Burbank Blvd ZIP CODE: 91411 PHONE NO.: Alan Ford 916 826-7522  
Van Nuys, CA

BUSINESS OWNER: Jamba Juice ADDRESS: 1125 Alhambra ZIP CODE: 91411 PHONE NO.: Alan Ford 916 826-7522  
Sacramento, CA

- SIGN INFORMATION
- ATTACHED  INTERIOR / EXTERIOR  SINGLE FACED  BILLBOARD / SUBDIVISION
  - ILLUMINATED  NON-ILLUMINATED
  - INDIVIDUAL LETTERS  PAINTED ON BUILDING  LOGO
  - METAL  POLE  DOUBLE FACED
  - PLASTIC  MONUMENT  VINYL/GATOR FOAM
  - WOODEN  PROJECTING  RE FACE

SIGN COPY: Sign A-1  
Jamba Juice #  
5-21452

CITY OF SACRAMENTO PERMIT SERVICES  
BUILDING INSPECTION DIVISION 264-7619  
WORKER'S COMPENSATION DECLARATION

I hereby affirm under penalty of perjury one of the following declarations:

- I own and will maintain a certificate of consent to subcontract for worker's compensation as provided for in Section 4390 of the Labor Code for the performance of work covered by the permit.
- I have, and will maintain, workers' compensation insurance as required by Section 4700 of the Labor Code for the performance of work covered by the permit.

CITY: Golden Eagle Ins  
POLICY NUMBER: NWC 631982-01  
SIGNATURE: Alan Jrd  
DATE: 12/6/00

THIS PERMIT SHALL EXPIRE BY LIMITATION IF WORK AUTHORIZED IS NOT COMMENCED WITHIN 180 DAYS

(A) HEIGHT: <u>12'1"</u>	(B) LENGTH: <u>11'5"</u>
(A X B) SIGN AREA: <u>254</u>	FOOTING SIZE: <u>N/A</u>
POLE SIZE: <u>N/A</u>	STREET FRONTAGE (FT): <u>N/A</u>
OCCUPANCY FRONTAGE (FT): _____	
OFFICE USE ONLY	
DESIGN REVIEW REQUIRED: <input checked="" type="checkbox"/> YES <input type="checkbox"/> NO	APPROVED BY: <u>CS</u>
SPECIAL PERMITS REQUIRED: <input type="checkbox"/> YES <input type="checkbox"/> NO	DATE: <u>1-8-01</u>
VARNEST REQUIRED: <input type="checkbox"/> YES <input type="checkbox"/> NO	DATE: <u>1-8-01</u>
FOR APPLICANT: <input type="checkbox"/> YES <input type="checkbox"/> NO	DATE: <u>1-8-01</u>
FOR APPLICANT: <input type="checkbox"/> YES <input type="checkbox"/> NO	DATE: <u>1-8-01</u>

APPROVED BY: <u>Alan Jrd</u>	DATE: <u>1-8-01</u>
CITY INSPECTOR: <u>DO 185-01</u>	DATE: <u>1-23-01</u>
POST FEES: <u>25.00</u>	DATE: <u>12/6/00</u>
SIGN VERIFICATION FEE: <u>100.00</u>	DATE: <u>12/6/00</u>
TOTAL FEES: <u>125.00</u>	DATE: <u>12/6/00</u>

THIS IS A 2 PART FORM  
WRITE ON A FIRM SURFACE

CONSTRUCTION LENDING AGENCY

I hereby affirm that I am a contractor or person that works at a construction lending agency for the purpose of the work for this agency and permit number 0087 (C.A.C.)

Name \_\_\_\_\_  
Address \_\_\_\_\_

LICENSED CONTRACTORS DECLARATION

I hereby affirm under penalty of perjury that I am licensed under provisions of Chapter 1 commencing with Section 20009 of Division 3 of the Business and Professions Code and my license is in full force and effect.

License Class C-45 License Number 745555  
Date 12/6/00 Contractor Alan Ford  
(Signature)

OWNER - BUILDER DECLARATION

I hereby affirm under penalty of perjury that I am exempt from the Contractors License Law for the following reason (See 7031's Business and Professions Code: Any city or any other entity, including a public or contracted, that approves, deminish, or repair any public, prior to its issuance, the requires the applicant for such permit to file a statement of the contractor's qualifications and the representations of the contractor. I have filed a statement of the contractor's qualifications and the representations of the contractor with the City of Sacramento, California, and the basis for the exemption is as follows: \_\_\_\_\_

As a result of this exemption, the applicant for a permit is not required to file a statement of the contractor's qualifications and the representations of the contractor with the City of Sacramento, California.

I have read and understand the provisions of the Contractors License Law and the provisions of this declaration. I agree as their sole agent to accept the responsibility for the above information and to accept the consequences of any violation of the Contractors License Law and the provisions of this declaration.

Date: \_\_\_\_\_ Signature: \_\_\_\_\_

USE BLACK INK BALL POINT PEN — PRESS FIRMLY  
SIGN PERMIT APPLICATION

SITE ADDRESS 1127 Alhambra

SUITE

INSP AREA

ASSESSOR PARCEL NO. 007-082-09-001 PERMIT NO. 0100308

NAME OF APPLICANT	ADDRESS	ZIP CODE	PHONE NO.
<u>Visible Graphics</u>	<u>15216 Burbank Blvd</u>	<u>91411</u>	<u>Alan Ford</u>
LICENSED CONTRACTOR	<u>Van Nuys, CA</u>		<u>916 826-7522</u>
BUSINESS OWNER	<u>Jamba Juice</u>	<u>1125 Alhambra</u>	<u>Sacramento</u>

SIGN INFORMATION

- ATTACHED  INTERIOR / EXTERIOR  SINGLE FACED  BILBOARD / SUBDIVISION
- ILLUMINATED  NON-ILLUMINATED
- INDIVIDUAL LETTERS  PAINTED ON BUILDING  LOGO
- METAL  POLE  MONUMENT  VINYL/GATOR FOAM
- PLASTIC  WOODEN  RE-FACE

SIGN COPY \_\_\_\_\_

Sign A-2

Jamba Juice

CITY OF SACRAMENTO PERMIT SERVICES  
BUILDING INSPECTION DIVISION 264-7619

WORKERS COMPENSATION DECLARATION

I hereby affirm under penalty of perjury that the following declaration:

I have and will maintain workers compensation insurance as required by the State of California for all employees of my business, including those who are not permanent full-time employees, and I will maintain records of such insurance for the purpose of providing proof of such insurance to the State of California and to the Department of Industrial Relations for the purpose of work for which the permit is issued.

I have and will maintain workers compensation insurance as required by the State of California for all employees of my business, including those who are not permanent full-time employees, and I will maintain records of such insurance for the purpose of providing proof of such insurance to the State of California and to the Department of Industrial Relations for the purpose of work for which the permit is issued.

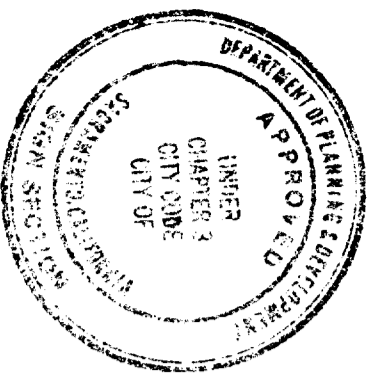
Contract Golden Eagle Ins  
Policy Number NWC 639482-01

Date 12/6/00 Signature Alan Ford

DATE RECEIVED	DATE APPROVED
<u>12/6/00</u>	<u>12/25/00</u>
<u>Alan Ford</u>	<u>Alan Ford</u>
CONTRACTOR SIGNATURE	INSPECTOR SIGNATURE
<u>Alan Ford</u>	<u>Alan Ford</u>
DATE	DATE
<u>12/6/00</u>	<u>12/25/00</u>

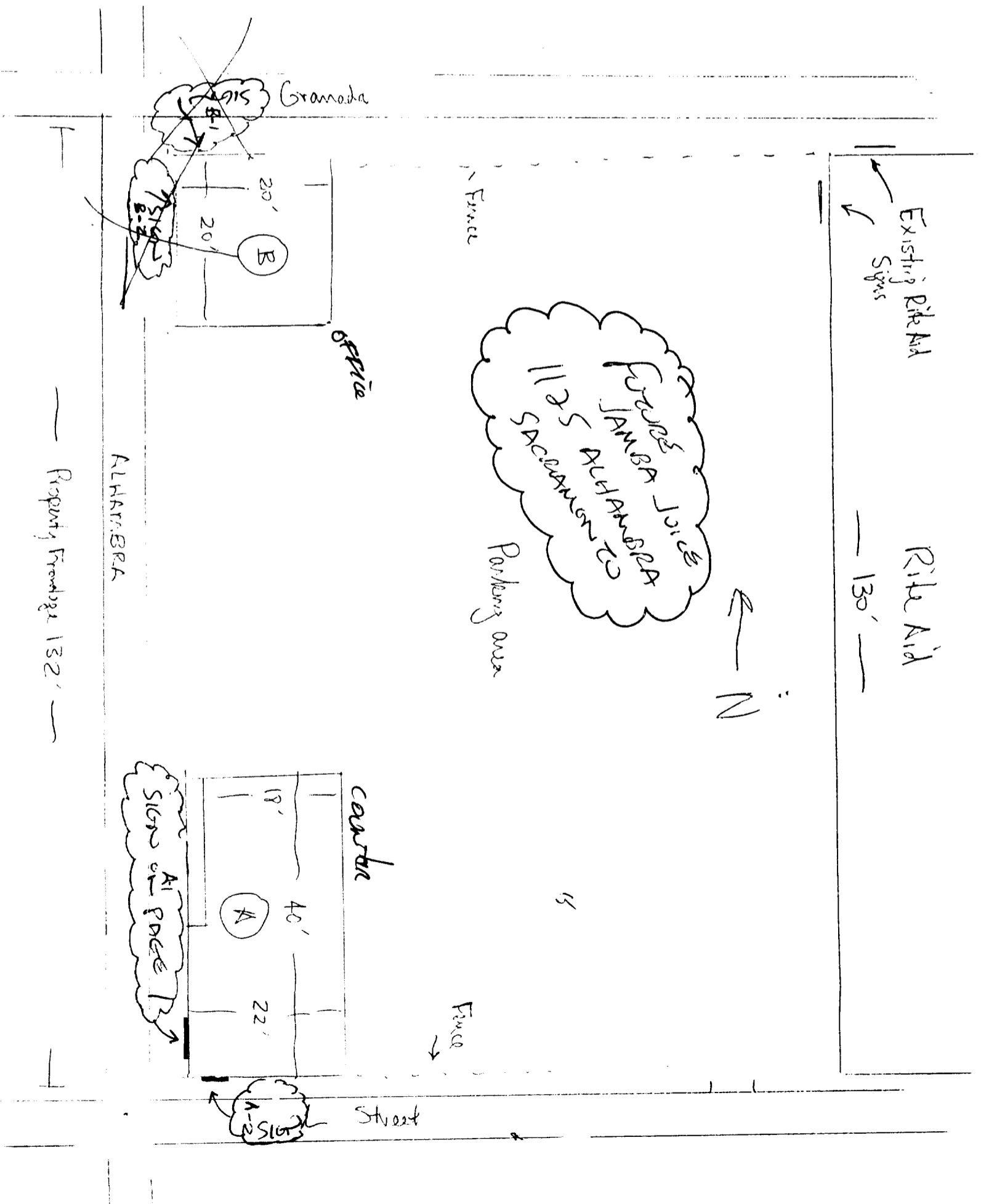
TOTAL FEES \$ 1801.25

THIS PERMIT SHALL EXPIRE BY LIMITATION IF WORK AUTHORIZED IS NOT COMMENCED WITHIN 180 DAYS.



This set of plans and specifications must be kept on the job at all times and it is unlawful to make any changes or alterations from the same without written permission from the City of Sacramento Sign Section. The approval of this plan and specification shall not be held to permit or approve the violation of any City Ordinance or State Law.

All electrical work must be in accordance with the National Electrical Code (NEC) and all equipment must be used as design intended. ALL SIGN INSTALLATIONS ARE SUBJECT TO FIELD INSPECTIONS.



FILE COPY



COMMUNICATING TO THE WORLD  
YOUR MESSAGE TO THE WORLD

15216 Burbank Blvd., Ste. 102  
Van Nuys, CA 91411-2708

818 787-0477  
Fax: 818 787-0415

Sign Type Face and Halo Lit Channel Letters

Item \_\_\_\_\_ Option \_\_\_\_\_

Quantity 1 Set

Scale NTS

Project Jamba Juice/ Sacramento, CA

Date 12-20-00

Design No. VGJJ122020

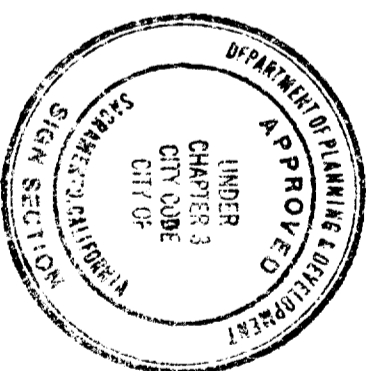
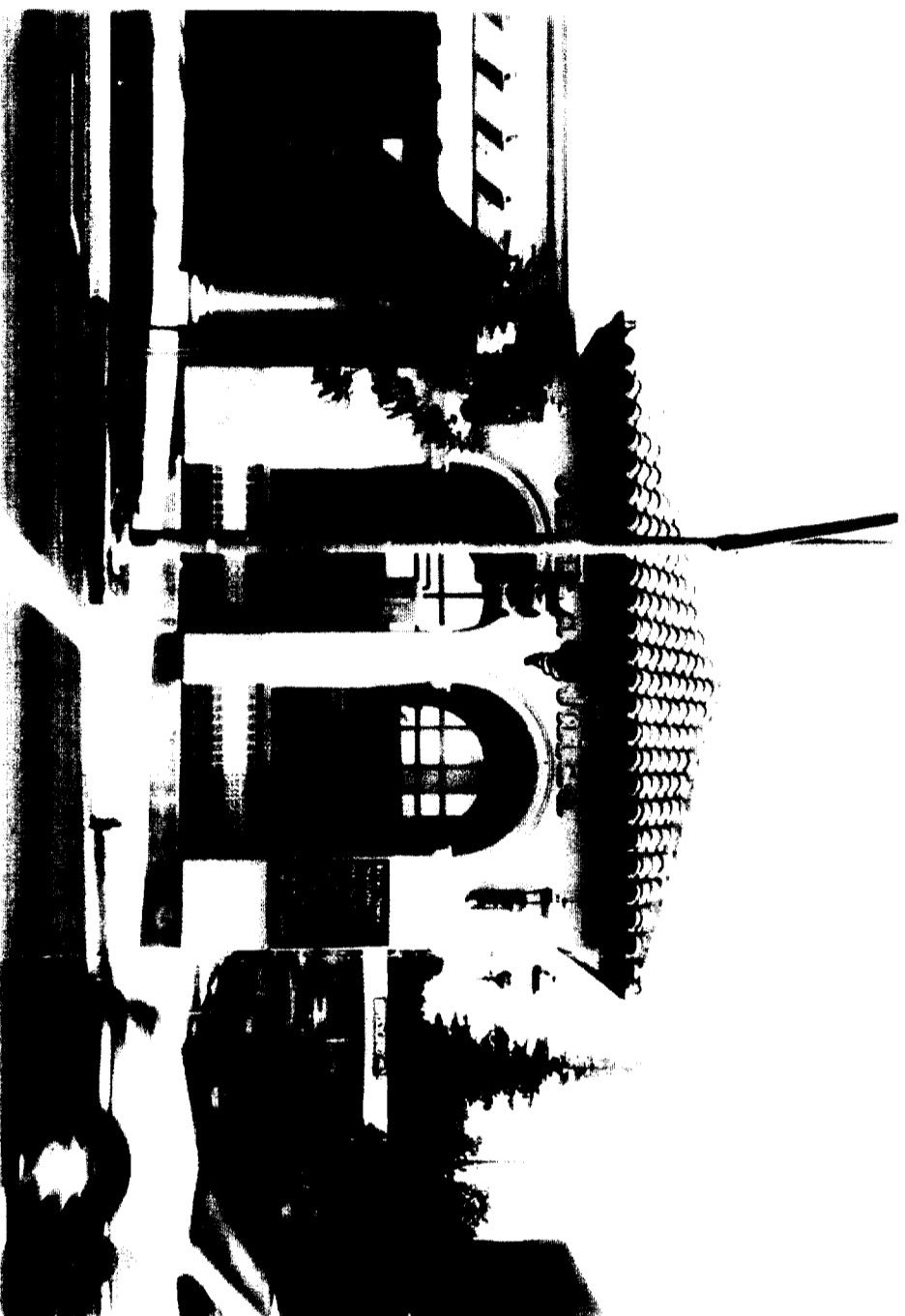
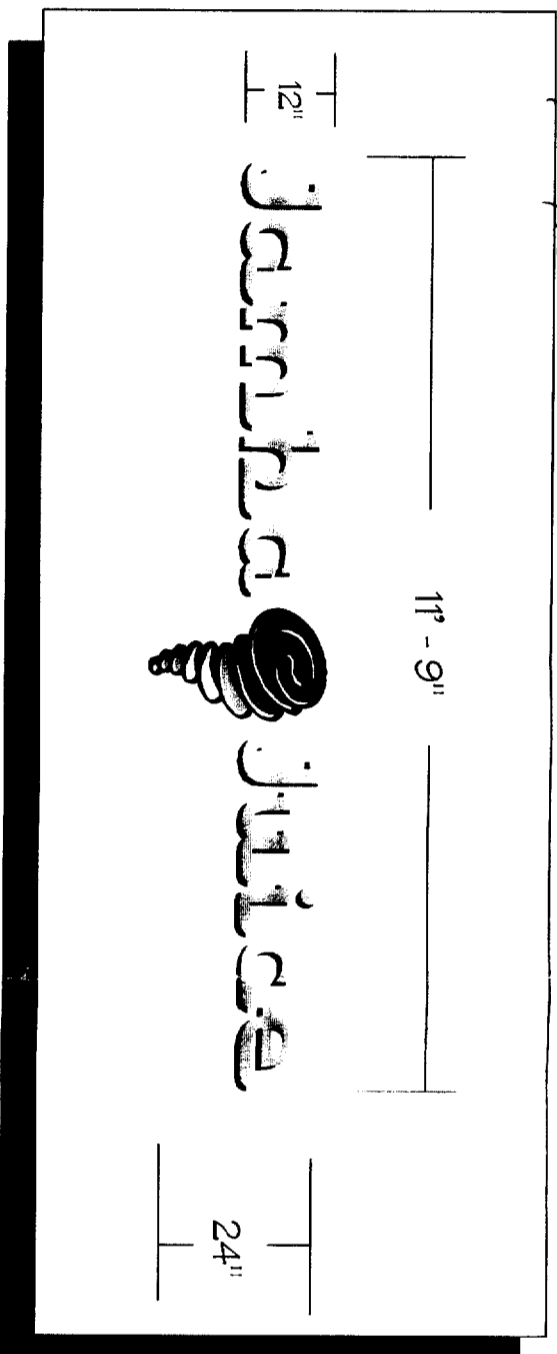
Page 1 of 2

Approved Date \_\_\_\_\_

This drawing is an original piece of art work and is owned by Visible Graphics. It was designed for your personal use as part of a project being designed for you by Visible Graphics. This artwork is not to be duplicated in any way without the permission of Visible Graphics.



Sign Type A-I



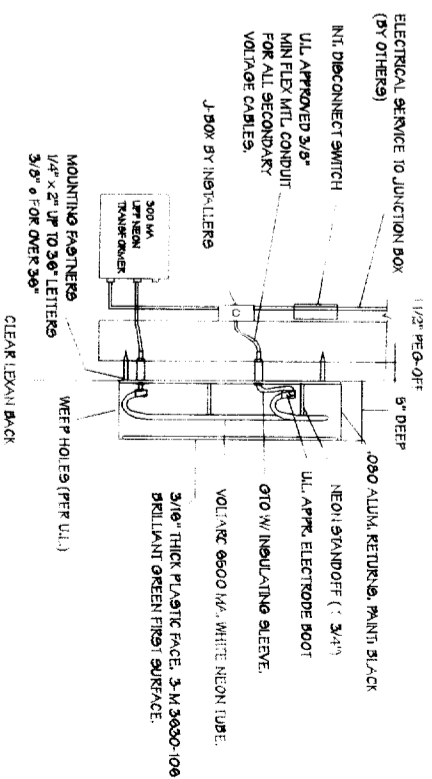
This set of plans and specifications must be kept on the job at all times and it is unlawful to make any changes or alterations from the same without written permission from the City of Sacramento Sign Section.  
The approval of this sign and specification SHALL NOT be held to permit or approve the violation of any City Ordinance or State Law.

All electrical work must be U.L. labeled or be of equivalent standards, N.E.C. Sec. 90-5/and comply with chapter 14, Div. 2 of Sacramento City Code.

EQUIPMENT MUST BE USED AS DESIGN INTENDED  
ALL SIGN INSTALLATIONS ARE SUBJECT TO FIELD INSPECTIONS

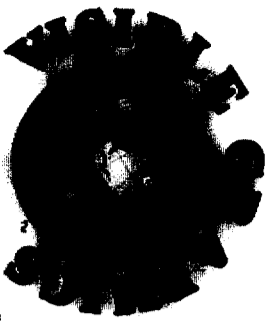
1-8-01 [Signature]

### FACE- AND HALO-LIT CHANNEL LETTERS



U.L. APPROVED TYP. HALO-LIT LETTER SECT.

Sign Civil Permit # 0011995



COMMUNICATING TO THE WORLD  
YOUR MESSAGE TO THE WORLD

15216 Burbank Blvd., Ste. 102  
Van Nuys, CA 91411-2708

818 787-0477  
Fax: 813 787-0415

Sign Type Face and Halo Lit Channel Letters

Item \_\_\_\_\_ Option \_\_\_\_\_

Quantity 1 Set

Scale NTS

Project: Jamba Juice/ Sacramento, CA

Date 12 - 20 - 00

Design No VGJU22020

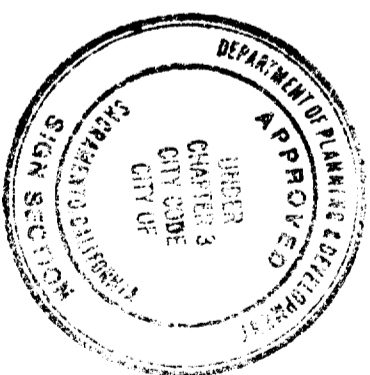
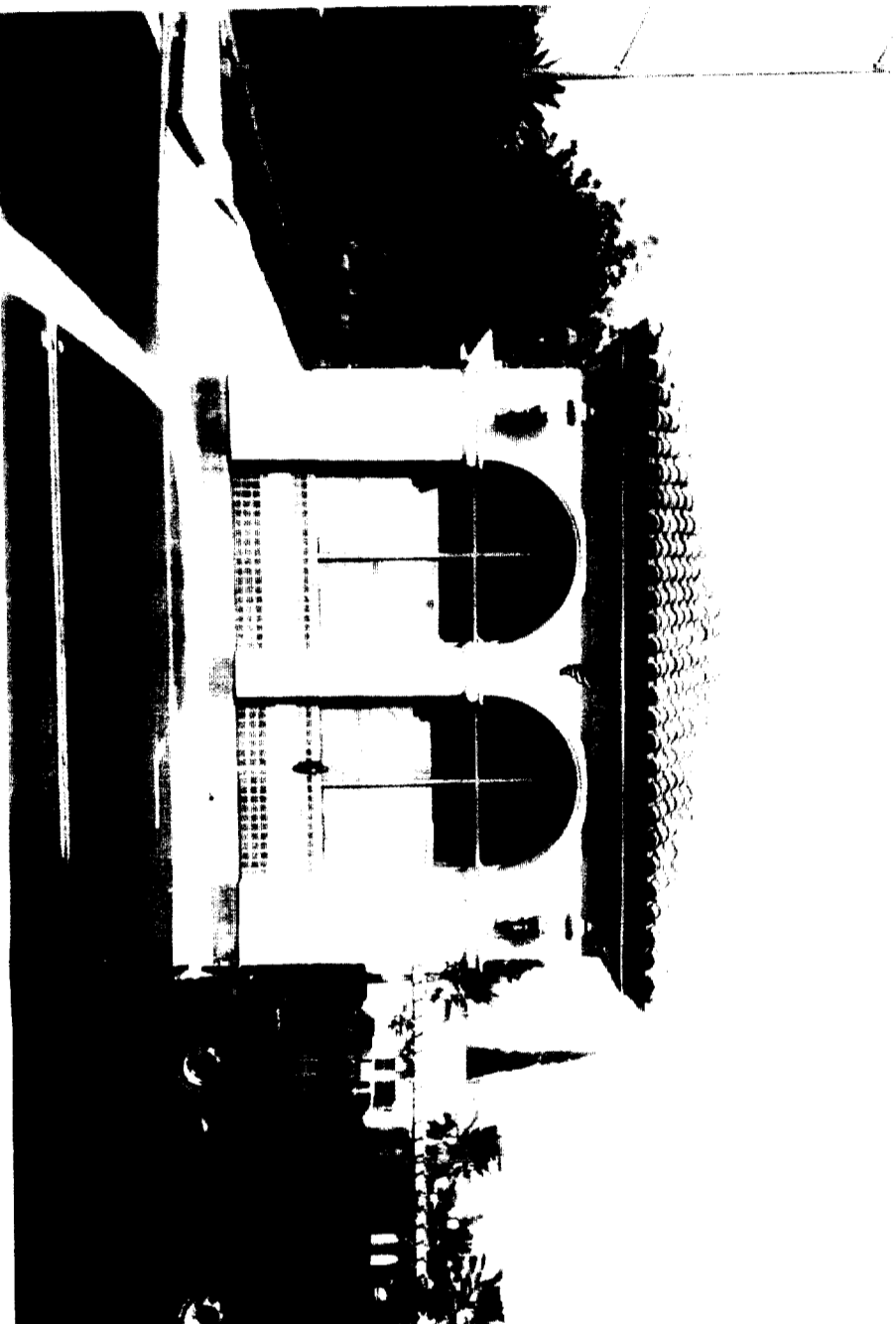
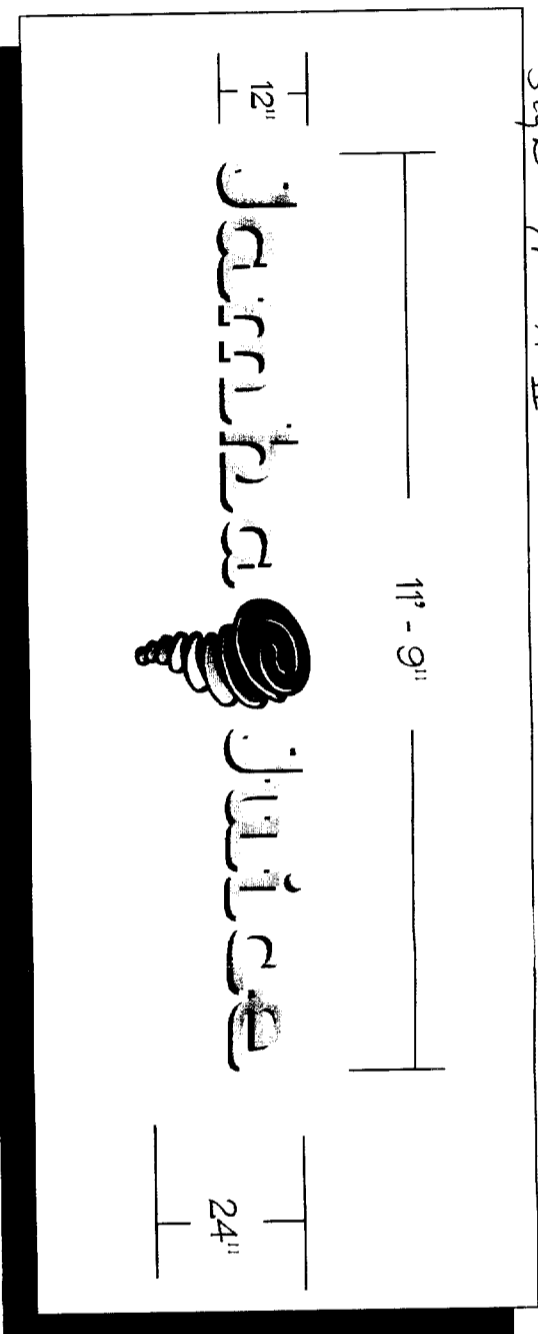
Page 2 of 2

Approved Date \_\_\_\_\_

This drawing is an original piece of art work and is owned by Visible Graphics. It was designed for your personal use as part of a project being designed for you by Visible Graphics. This artwork is not to be duplicated in any way without the permission of Visible Graphics.



Sign Type A-II

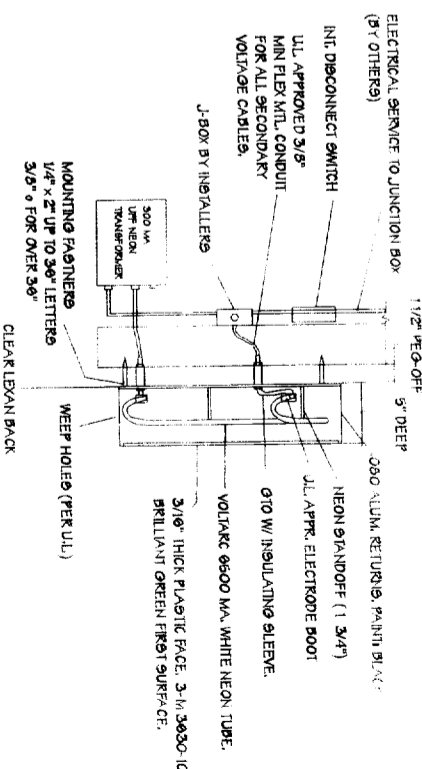


This set of plans and specifications must be kept on the job at all times and it is unlawful to make any changes or alterations from the same without written permission from the City Department Sign Section.  
The approval of this plan and specification SHALL NOT be held to permit or approve the violation of any City Ordinance or State Law.

All electrical work must be U.L. labeled or be of equivalent standards, N.E.C. Sec. 90-6/ and comply with chapter 14, Div. 2 of Sacramento City Code.  
**EQUIPMENT MUST BE USED AS DESIGN INTENDED**  
**ALL SIGN INSTALLATIONS ARE SUBJECT TO FIELD INSPECTIONS**

1-8-01 [Signature]

### FACE- AND HALO-LIT CHANNEL LETTERS



U.L. APPROVED TYP. HALO-LIT LETTER SECT.

Signs Circuit Permit # 0211975