

CITY OF SACRAMENTO
1231 I Street, Sacramento, CA 95814

Permit No: 9908105
Insp Area: 4

Site Address: 1449 MAYFIELD ST SAC
Parcel No: 225-1120-021
N

Sub-Type: NSFR
Housing (Y/N):
NORTHPOINTE PARK UNIT 14 LOT 21

CONTRACTOR
FINNAR RENAISSANCE INC.
2240 DOUGLAS BL.
ROSBVILLE CA 95661

OWNER

ARCHITECT

Nature of Work: MP 2136 2 STORY 10 ROOM SFR

CONSTRUCTION LENDING AGENCY : I hereby affirm under penalty of perjury that there is a construction lending agency for the performance of the work for which this permit is issued (Sec. 3097, Civ. C).

Lender's Name _____ Lender's Address _____

LICENSED CONTRACTORS DECLARATION: I hereby affirm under penalty of perjury that I am licensed under provisions of Chapter 9 (commencing with section 7000) of Division 3 of the Business and Professions Code and my license is in full force and effect.

License Class B License Number 732748 Date 2/28/01 Contractor Signature [Signature]

OWNER-BUILDER DECLARATION: I hereby affirm under penalty of perjury that I am exempt from the contractors License Law for the following reason (Sec. 7031.5, Business and Professions Code, any city or county which requires a permit to construct, alter, improve, demolish, or repair any structure, prior to its issuance, also requires the applicant for such permit to file a signed statement that he or she is licensed pursuant to the provisions of the Contractors License Law (Chapter 9 (commencing with Section 7000) of Division 8 of the Business and Professions Code) or that he or she is exempt therefrom and the basis for the alleged exemption. Any violation of Section 7031.5 by any applicant for a permit subjects the applicant to a civil penalty of not more than five hundred dollars (\$500.00).

I, _____, as a owner of the property, or my employees with wages as their sole compensation, will do the work, and the structure is not intended or offered for sale (Sec. 7044, Business and Professional Code: The Contractors License Law does not apply to an owner of property who builds or improves thereon, and who does such work himself or herself or through his/her own employees, provided that such improvements are not intended or offered for sale. If, however, the building or improvement is sold within one year of completion, the owner-builder will have the burden of proving that he/she did not build or improve for the purpose of sale.)

I, _____, as owner of the property, am exclusively contracting with licensed contractors to construct the project (Sec. 7044, Business and Professions Code. The Contractors License Law does not apply to an owner of property who builds or improves thereon, and who contracts for such projects with a contractor(s) licensed pursuant to the Contractors License Law.)

I am exempt under Sec. _____ B & PC for this reason: _____
Date _____ Owner Signature _____

IN ISSUING THIS BUILDING PERMIT, the applicant represents, and the city relies on the representation of the applicant, that the applicant verified all measurements and locations shown on the application or accompanying drawings and that the improvement to be constructed does not violate any law or private agreement relating to permissible or prohibited locations for such improvements. This building permit does not authorize any illegal location of any improvement or the violation of any private agreement relating to location of improvements.

I certify that I have read this application and state that all information is correct. I agree to comply with all city and county ordinances and state laws relating to building construction and hereby authorize representative(s) of this city to enter upon the abovementioned property for inspection purposes.

Date 11-15-99 Applicant/Agent Signature [Signature]

WORKER'S COMPENSATION DECLARATION: I hereby affirm under penalty of perjury one of the following declarations:

I have and will maintain a certificate of consent to self-insure for workers' compensation as provided for by Section 3700 of the Labor Code, for the performance of work for which the permit is issued.

I have and will maintain workers' compensation insurance, as required by Section 3700 of the Labor Code, for the performance of the work for which this permit is issued. My workers' compensation insurance carrier and policy number are:

Carrier CONTINENTAL CAS, INC. Policy Number WC166792277 Exp Date 06/01/2000

(This section need not be completed if the permit is for \$100 or less) I certify that in the performance of the work for which this permit is issued, I shall not employ any person in any manner so as to become subject to the workers' compensation laws of California and agree that if I should become subject to the workers' compensation provisions of Section 3700 of the Labor Code, I shall forthwith comply with those provisions.

Date 11-15-99 Applicant Signature [Signature]

WARNING - FAILURE TO SECURE WORKER'S COMPENSATION COVERAGE IS UNLAWFUL AND SHALL SUBJECT AN EMPLOYER TO CRIMINAL PENALTIES AND CIVIL FINES UP TO ONE HUNDRED THOUSAND DOLLARS (\$100,000) IN ADDITION TO THE COST OF COMPENSATION, DAMAGES AS PROVIDED FOR IN SECTION 3706 OF THE LABOR CODE, INTEREST AND ATTORNEY'S FEE.

THIS PERMIT SHALL EXPIRE BY LIMITATION IF WORK IS NOT COMMENCED WITHIN 180 DAYS.

PRODUCTS INTERNATIONAL, INC.

DIAMOND WALL INSULATING STUCCO SYSTEM

ICBO Report #4004

Date of Job Completion 8-25-00

Job Address:

W. W. Street 4000 S
E. Lawrence

Plastering Contractor:

Name: STUCCO WORKS, INC.

Address: 5900 WAREHOUSE WAY, SACRAMENTO, CA

Telephone No: (916) 383-6699

Contractor Number of Diamond Wall System: 2175

This is to certify that the exterior coating system on the building exterior at the above address has been installed in accordance with the evaluation report specified above and the manufacturer's instructions.

[Signature]
Signature of authorized representative of
Plastering Contractor

This evaluation card must be presented to the building inspector after
the work is completed and approved.

CERTIFICATION OF INSULATION

PART I GENERAL

<p>ADDRESS OR TRACT</p> <p>WINNOCREST LOT # 21</p> <p>GLENMEIZE</p>	<p style="text-align: center;">SACRAMENTO INSULATION CONTRACTORS</p> <p><input checked="" type="checkbox"/> P.O. BOX 854, WEST SACRAMENTO, CA 95691 LIC. #202026</p> <p><input type="checkbox"/> 1309 MELODY ROAD, MARYSVILLE, CA 95901 LIC. #202026</p> <p><input type="checkbox"/> P.O. BOX 9651, FRESNO, CA 93793-9651 LIC. #202026</p> <p><input type="checkbox"/> P.O. BOX 1631, RENO, NV 89505 LIC. #10675</p> <p><input type="checkbox"/> 3326 A PONDEROSA WAY, LAS VEGAS, NV 89118 LIC. #10675</p> <p>DATE INSULATION COMPLETED 5-5-00</p>
---	---

PART II AREAS INSULATED

WALLS		CEILINGS			FLOORS	
SQUARE FEET		SQUARE FEET			(SQUARE FEET)	
TYPE OF INSULATION		TYPE OF INSULATION			TYPE OF INSULATION	
MATERIAL FIBERGLASS		MATERIAL FIBERGLASS			MATERIAL FIBERGLASS	
FORM BATTS		FORM BATTS & BLOW			FORM BATTS	
MANUFACTURER'S PRODUCT I D		MANUFACTURER'S PRODUCT I D			MANUFACTURER'S PRODUCT I D	
MANUFACTURER		MANUFACTURER			MANUFACTURER	
OCF		OCF			OCF	
R-VALUE INSTALLED	APPLIED THICKNESS	R-VALUE INSTALLED	APPLIED THICKNESS	MIN. INSTALLED WEIGHT PER SQUARE FOOT	R-VALUE INSTALLED	APPLIED THICKNESS
13 19	3 5/8" 5 1/2"	38 38	12 1/4" 14 3/4"			
KNEE WALLS IF R-VALUE IS OTHER THAN WALLS ABOVE						
MATERIAL FIBERGLASS		FORM BATTS			R VALUE OCF	
AIR INFILTRATION SEALANT						
MATERIAL FORM				MANUFACTURER W R GRACE		

THIS IS TO CERTIFY THAT INSULATION AND/OR SEALANT HAS BEEN INSTALLED IN CONFORMANCE WITH APPLICABLE CODES, MATERIAL STANDARDS AND REGULATIONS.

PART III REMARKS

SIGNATURE - INSULATION CONTRACTOR <i>Bill Hoedinger</i>	TITLE MANAGER	DATE 4-21-00
SIGNATURE - GENERAL CONTRACTOR	TITLE	DATE
REMARKS		

RESIDENTIAL BUILDING PERMIT APPLICATION

New Construction
 Addition
 Remodels
 Other

Project Address: 1449 MAYFIELD STREET Assessor Parcel # 225-112-021

OWNER INFORMATION: LOT # 21

Legal Property Owner: <u>LENNAR RENAISSANCE</u>	Phone # <u>(916) 773-7471</u>
Owner Address: <u>2240 DOUGLAS BLVD.</u>	City <u>ROSEVILLE</u> State <u>CA</u> Zip <u>95661</u>

CONTRACTOR INFORMATION:

Contractor: <u>LENNAR RENAISSANCE</u>	Lic. # <u>732348</u>	Phone # <u>(916) 773-7471</u>	Fax# <u>(916) 773-4086</u>
---------------------------------------	----------------------	-------------------------------	----------------------------

PROJECT INFORMATION:

Land Use Zone <u>RIA</u>	Occupancy Group <u>R3</u>	Construction Type <u>VH</u>	Fed Code <u>1A</u>
No. of stories: <u>2</u>	No. of rooms: <u>5</u>	Street width: _____	
1 st Floor Area <u>1116</u>	2 nd Floor Area <u>1020</u>	Basement _____	Roof Material <u>TILE</u>

AREA IN SQUARE FOOT OF:	EXISTING	NEW
Dwelling/Living	_____	<u>2136</u>
Garage/Storage	_____	<u>469</u>
Decks/Balconies	_____	<u>126</u>
Carports	_____	_____

SCOPE OF WORK: NEW CONSTRUCTION SFD MP 203

FOR OFFICE USE ONLY:

<input type="checkbox"/> Information above complete	<input type="checkbox"/> AR Flood Waiver required	<input type="checkbox"/> Planning Approval
<input type="checkbox"/> Violation files checked	<input type="checkbox"/> Flood Elevation Certificate Required	<input type="checkbox"/> Design Review Approval
<input type="checkbox"/> Standard setbacks	<input type="checkbox"/> Water Development Infill Area	<input type="checkbox"/> Special Fee Districts Apply : _____
<input type="checkbox"/> County Sewer		

NEW STRUCTURES & ADDITIONS

❖ THE FOLLOWING MUST BE PROVIDED IN ORDER TO SUBMIT FOR PLAN REVIEW

- | | |
|---|---|
| <ul style="list-style-type: none"> <input type="checkbox"/> 2 COMPLETE PLANS, LEGIBLE & DRAWN TO SCALE <input type="checkbox"/> 3 SETS IF PROJECT IS IN A DESIGN REVIEW AREA <input type="checkbox"/> Title 24 Energy Compliance documentation <input type="checkbox"/> Grading and Erosion Control Questionnaire | <ul style="list-style-type: none"> ❖ Plans to include: site plan, floor plan, elevations, roof/ceiling plan, foundation and structural framing details, and structural calculations for non-conforming structures. <input type="checkbox"/> 11" x 17" copy of floor plan for County Assessor <input type="checkbox"/> Plan Review Fees |
|---|---|

Date _____ Received by: (staff) _____

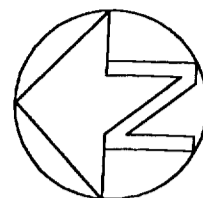
ACTIVITY/PERMIT #

This Plot Plan is for the purpose of showing the house to be constructed on the lot and may not represent the final as-built configuration of the property or improvements thereon. Setbacks, other than minimum ordinance, are approximate only and must not be assumed to be precise.

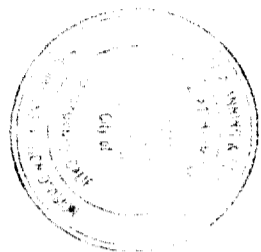
ISSUED

JUL 23 1999

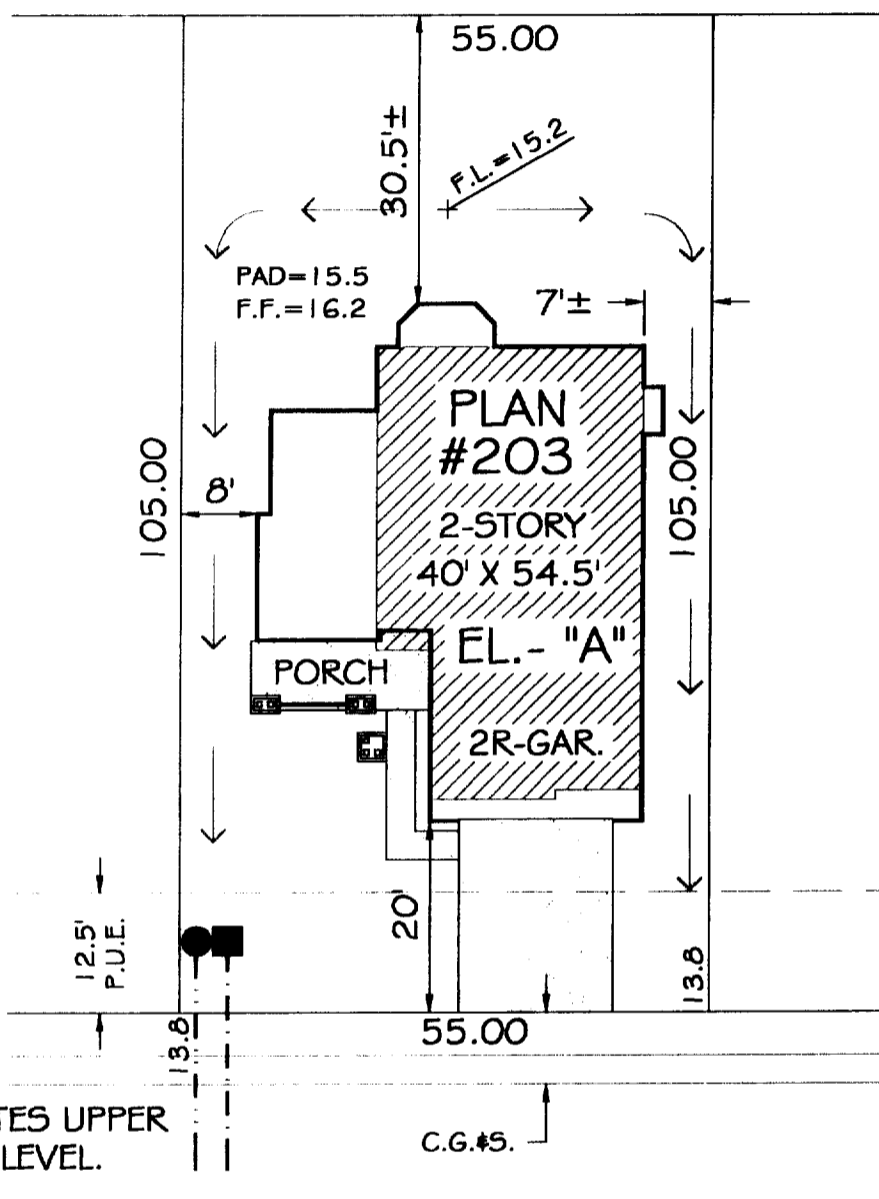
CITY OF SACRAMENTO
DEVELOPMENT SERVICES DIVISION



SCALE: 1" = 20'



These set of plans and specifications must be kept on the job at all times and it is unlawful to make any changes or alterations from the original without written permission from the Building Inspection Division.
 The approval of this plan and specification SHALL NOT be held to permit or approve the violation of any City Ordinance or State Law.



INDICATES UPPER STORY LEVEL.

1449 MAYFIELD STREET

LOT COVERAGE

Lot Area: 5775 s.f.
 Building: 1585 s.f.
 Building/Lot Area: 27 %

RETAINING WALL

Height: _____
 Length: _____
 Distance From P.L.: _____

SYMBOLS

- Drainage Inlet:
- Fire Hydrant:
- Street Light:
- Sewer:
- Sign:
- Water:
- Transformer Pad:



Winncrest Homes

A Lennar Company

Glenmere

a Northpointe Park Village Community

Home Site #21

@

NORTHPOINTE PARK VILLAGE No. 14
 CITY OF SACRAMENTO, CALIFORNIA
 A.P.N.: 225-112-021-000

NOTES

1. MEASUREMENTS ALONG CURVED LINES ARE ARC LENGTHS, U.O.N.

BCB	6/22/99	GRS	
DRAWN BY	DATE	CHK'D BY	DATE

1" = 20'
 DRWG SCALE