

CITY OF SACRAMENTO
1231 I Street, Sacramento, CA 95814

Permit No: 9905301
Insp Area: 4

Site Address: 17 COOL FOUNTAIN CT SAC
Parcel No: 274-0490-047 NATOMAS WEST LOT 51

Sub-Type: NSFR
Housing (Y/N): N

CONTRACTOR
KAUFMAN & BROAD
151 NORTH SUNRISE AV #1012
ROSEVILLE CA 95661

OWNER

ARCHITECT

Nature of Work: NEW HOME, MP1929, 9 ROOMS

CONSTRUCTION LENDING AGENCY : I hereby affirm under penalty of perjury that there is a construction lending agency for the performance of the work for which this permit is issued (Sec. 3097, Civ. C).

Lender's Name _____ Lender's Address _____

LICENSED CONTRACTORS DECLARATION: I hereby affirm under penalty of perjury that I am licensed under provisions of Chapter 9 commencing with section 7000) of Division 3 of the Business and Professions Code and my license is in full force and effect.

License Class 9 License Number 29344 Date 2/10/2000 Contractor Signature N. G. Collins

OWNER-BUILDER DECLARATION: I hereby affirm under penalty of perjury that I am exempt from the contractors License Law for the following reason (Sec. 7031.5, Business and Professions Code; any city or county which requires a permit to construct, alter, improve, demolish, or repair any structure, prior to its issuance, also requires the applicant for such permit to file a signed statement that he or she is licensed pursuant to the provisions of the Contractors License Law (Chapter 9 (commencing with Section 7000) of Division 8 of the Business and Professions Code) or that he or she is exempt therefrom and the basis for the alleged exemption. Any violation of Section 7031.5 by any applicant for a permit subjects the applicant to a civil penalty of not more than five hundred dollars (\$500.00):

____ I, as a owner of the property, or my employees with wages as their sole compensation, will do the work, and the structure is not intended or offered for sale (Sec. 7044, Business and Professional Code: The Contractors License Law does not apply to an owner of property who builds or improves thereon, and who does such work himself or herself or through his/her own employees, provided that such improvements are not intended or offered for sale. If, however, the building or improvement is sold within one year of completion, the owner-builder will have the burden of proving that he/she did not build or improve for the purpose of sale.)

____ I, as owner of the property, am exclusively contracting with licensed contractors to construct the project (Sec. 7044, Business and Professions Code: The Contractors License Law does not apply to an owner of property who builds or improves thereon, and who contracts for such projects with a contractor(s) licensed pursuant to the Contractors License Law).

____ I am exempt under Sec. _____ B & PC for this reason: _____

Date _____ Owner Signature _____

IN ISSUING THIS BUILDING PERMIT, the applicant represents, and the city relies on the representation of the applicant, that the applicant verified all measurements and locations shown on the application or accompanying drawings and that the improvement to be constructed does not violate any law or private agreement relating to permissible or prohibited locations for such improvements. This building permit does not authorize any illegal location of any improvement or the violation of any private agreement relating to location of improvements.

I certify that I have read this application and state that all information is correct. I agree to comply with all city and county ordinances and state laws relating to building construction and hereby authorize representative(s) of this city to enter upon the abovementioned property for inspection purposes.

Date _____ Applicant/Agent Signature N. G. Collins

WORKER'S COMPENSATION DECLARATION: I hereby affirm under penalty of perjury one of the following declarations:

____ I have and will maintain a certificate of consent to self-insure for workers' compensation as provided for by Section 3700 of the Labor Code, for the performance of work for which the permit is issued.

____ I have and will maintain workers' compensation insurance, as required by Section 3700 of the Labor Code, for the performance of the work for which this permit is issued. My workers' compensation insurance carrier and policy number are:

Carrier _____ Policy Number WC 188899694 Exp Date 5/1/2000

____ (This section need not be completed if the permit is for \$100 or less) I certify that in the performance of the work for which this permit is issued, I shall not employ any person in any manner so as to become subject to the workers' compensation laws of California and agree that if I should become subject to the workers' compensation provisions of Section 3700 of the Labor Code, I shall forthwith comply with those provisions.

Date _____ Applicant Signature N. G. Collins

WARNING: FAILURE TO SECURE WORKER'S COMPENSATION COVERAGE IS UNLAWFUL AND SHALL SUBJECT AN EMPLOYER TO CRIMINAL PENALTIES AND CIVIL FINES UP TO ONE HUNDRED THOUSAND DOLLARS (\$100,000) IN ADDITION TO THE COST OF COMPENSATION, DAMAGES AS PROVIDED FOR IN SECTION 3706 OF THE LABOR CODE, INTEREST AND ATTORNEY'S FEE.

THIS PERMIT SHALL EXPIRE BY LIMITATION IF WORK IS NOT COMMENCED WITHIN 180 DAYS.

WES PAC

INSULATION, INC.

INSULATION
CERTIFICATE

THIS IS TO CERTIFY THAT INSULATION HAS BEEN INSTALLED IN CONFORMANCE WITH CURRENT ENERGY REGULATIONS, CALIFORNIA ADMINISTRATIVE CODE TITLE 24 STATE OF CALIFORNIA, IN THE BUILDING LOCATED AT _____

_____ LOT # _____ TRACT # _____

STREET _____ CITY _____

EXTERIOR WALLS:

MANUFACTURER _____ THICKNESS/TYPE _____ R- _____ VALUE _____

CEILINGS:

MANUFACTURER _____ THICKNESS/TYPE _____ R- _____ VALUE _____

BATTI:

MANUFACTURER _____ THICKNESS/TYPE _____ R- _____ VALUE _____

BLOWN IN:

MANUFACTURER _____ THICKNESS/TYPE _____ R- _____ VALUE _____

SQUARE FOOTAGE COVERED _____ NUMBER OF BAGS USED _____

FLOORS:

MANUFACTURER _____ THICKNESS/TYPE _____ R- _____ VALUE _____

SLAB ON GRADE:

MANUFACTURER _____ THICKNESS/TYPE _____ R- _____ VALUE _____

WIDTH OF INSULATION _____ INCHES

FOUNDATION WALLS:

MANUFACTURER _____ THICKNESS/TYPE _____ R- _____ VALUE _____

GENERAL CONTRACTOR _____
CALIFORNIA CONTRACTORS LICENSE # _____

DATE _____

SIGNATURE _____

TITLE _____

INSULATION CONTRACTOR WES PAC INSULATION, INC.

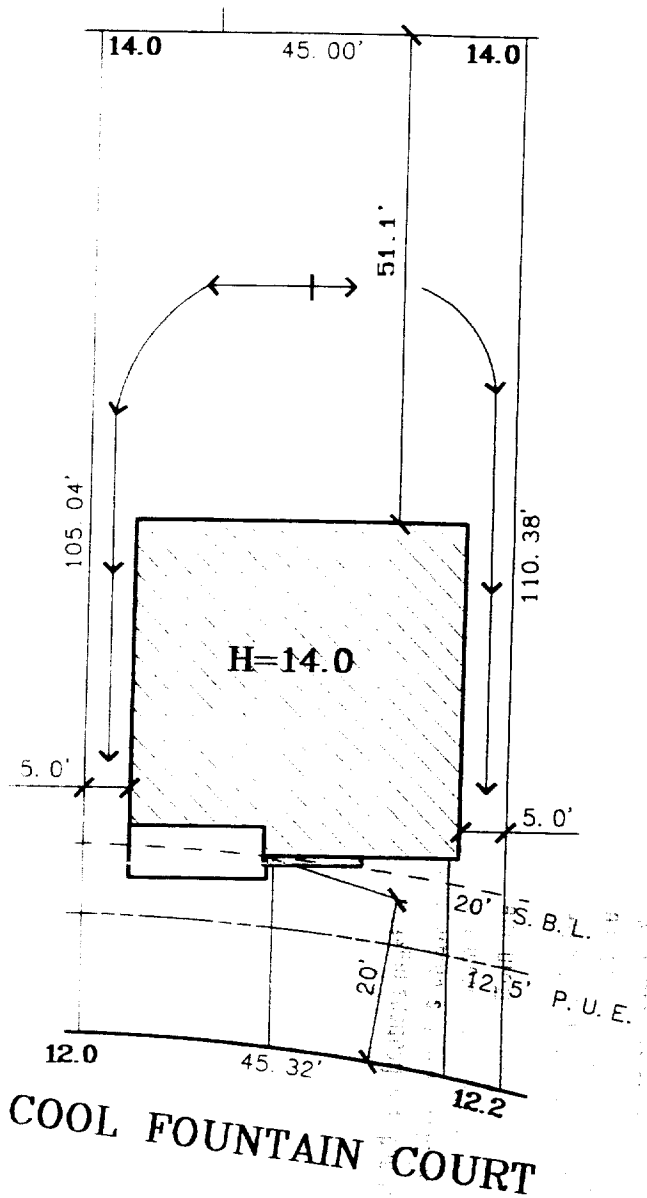
CALIFORNIA CONTRACTORS LICENSE # _____

#487478

DATE _____

SIGNATURE _____

TITLE _____



DATE: 5-10-99
 A.P.N.:
 ADDRESS: 17 COOL FOUNTAIN COURT

LOT AREA: 4,812 SF
 LOT COVERAGE: 26%

The Spink Corporation
 2590 VENTURE OAKS WAY
 SACRAMENTO, CA. 95833
 PH (916)925-5550 FAX (916)921-9274

NATOMAS WEST
 VILLAGE 1
 LOT 51
 PLAN 4B

CALIFORNIA GARDENS
 CITY OF SACRAMENTO, CA
 CLIENT: KAUFMAN & BROAD