

CITY OF SACRAMENTO
1231 I Street, Sacramento, CA 95814

Permit No: 0010565
Insp Area: 2

Site Address: 29 BEAUCANON CT SAC
Parcel No: 117-1360-038 JACINTO VILLAGE LOT 38

Sub-Type: NSFR
Housing (Y/N): N

CONTRACTOR
BEAZER HOMES
3009 DOUGLAS BL #150
ROSEVILLE CA 95661

OWNER

ARCHITECT

Nature of Work: NSFR MP2516 11 RMS 2 STORY

CONSTRUCTION LENDING AGENCY : I hereby affirm under penalty of perjury that there is a construction lending agency for the performance of the work for which this permit is issued (Sec. 3097, Civ. C).

Lender's Name _____ Lender's Address _____

LICENSED CONTRACTORS DECLARATION: I hereby affirm under penalty of perjury that I am licensed under provisions of Chapter 9 (commencing with section 7000) of Division 3 of the Business and Professions Code and my license is in full force and effect.

License Class B License Number 724191 Date 9/18/00 Contractor Signature Sheuyf Van Maeren

OWNER-BUILDER DECLARATION: I hereby affirm under penalty of perjury that I am exempt from the contractors License Law for the following reason (Sec. 7031.5, Business and Professions Code; any city or county which requires a permit to construct, alter, improve, demolish, or repair any structure, prior to its issuance, also requires the applicant for such permit to file a signed statement that he or she is licensed pursuant to the provisions of the Contractors License Law (Chapter 9 (commencing with Section 7000) of Division 8 of the Business and Professions Code) or that he or she is exempt therefrom and the basis for the alleged exemption. Any violation of Section 7031.5 by any applicant for a permit subjects the applicant to a civil penalty of not more than five hundred dollars (\$500.00).

____ I, as a owner of the property, or my employees with wages as their sole compensation, will do the work, and the structure is not intended or offered for sale (Sec. 7044, Business and Professional Code: The Contractors License Law does not apply to an owner of property who builds or improves thereon, and who does such work himself or herself or through his/her own employees, provided that such improvements are not intended or offered for sale. If, however, the building or improvement is sold within one year of completion, the owner-builder will have the burden of proving that he/she did not build or improve for the purpose of sale.)

____ I, as owner of the property, am exclusively contracting with licensed contractors to construct the project (Sec. 7044, Business and Professions Code: The Contractors License Law does not apply to an owner of property who builds or improves thereon, and who contracts for such projects with a contractor(s) licensed pursuant to the Contractors License Law).

____ I am exempt under Sec. _____ B & PC for this reason: _____

Date _____ Owner Signature _____

IN ISSUING THIS BUILDING PERMIT, the applicant represents, and the city relies on the representation of the applicant, that the applicant verified all measurements and locations shown on the application or accompanying drawings and that the improvement to be constructed does not violate any law or private agreement relating to permissible or prohibited locations for such improvements. This building permit does not authorize any illegal location of any improvement or the violation of any private agreement relating to location of improvements.

I certify that I have read this application and state that all information is correct. I agree to comply with all city and county ordinances and state laws relating to building construction and hereby authorize representative(s) of this city to enter upon the abovementioned property for inspection purposes.

Date 9/18/00 Applicant/Agent Signature Sheuyf Van Maeren

WORKER'S COMPENSATION DECLARATION: I hereby affirm under penalty of perjury one of the following declarations:

____ I have and will maintain a certificate of consent to self-insure for workers' compensation as provided for by Section 3700 of the Labor Code, for the performance of work for which the permit is issued.

7 I have and will maintain workers' compensation insurance, as required by Section 3700 of the Labor Code, for the performance of the work for which this permit is issued. My workers' compensation insurance carrier and policy number are:

Carrier LIBERTY MUTUAL INS CO. Policy Number WA2-651-004147-080 Exp Date 4/1/2001

____ (This section need not be completed if the permit is for \$100 or less) I certify that in the performance of the work for which this permit is issued, I shall not employ any person in any manner so as to become subject to the workers' compensation laws of California and agree that if I should become subject to the workers' compensation provisions of Section 3700 of the Labor Code, I shall forthwith comply with those provisions.

Date 9/18/00 Applicant Signature Sheuyf Van Maeren

WARNING: FAILURE TO SECURE WORKER'S COMPENSATION COVERAGE IS UNLAWFUL AND SHALL SUBJECT AN EMPLOYER TO CRIMINAL PENALTIES AND CIVIL FINES UP TO ONE HUNDRED THOUSAND DOLLARS (\$100,000) IN ADDITION TO THE COST OF COMPENSATION, DAMAGES AS PROVIDED FOR IN SECTION 3706 OF THE LABOR CODE, INTEREST AND ATTORNEY'S FEE.

THIS PERMIT SHALL EXPIRE BY LIMITATION IF WORK IS NOT COMMENCED WITHIN 180 DAYS.

RESIDENTIAL BUILDING PERMIT APPLICATION

- New Construction
 Addition
 Remodels
 Other

Project Address: 29 Beaucaumont Court Assessor Parcel # 117-136-038
act 38

OWNER INFORMATION:

Legal Property Owner: Beazer Homes Phone # 773-3888
 Owner Address: 3009 Douglas Blvd. 150 City Roseville State CA Zip 95661

CONTRACTOR INFORMATION:

Contractor: Beazer Homes Lic. # B724191 Phone # 773-3888 Fax# 773-0425

PROJECT INFORMATION:

Land Use Zone _____ Occupancy Group _____ Construction Type _____ Fed Code _____
 No. of stories: 2 No. of rooms: _____ Street width: _____
 1st Floor Area 1278 2nd Floor Area 1235 Basement _____ Roof Material _____

AREA IN SQUARE FOOT OF:	EXISTING	NEW
Dwelling/Living	_____	<u>2516</u>
Garage/Storage	_____	<u>808</u>
Decks/Balconies	_____	<u>0</u>
Carports	_____	<u>0</u>

SCOPE OF WORK: New SFD

FOR OFFICE USE ONLY

- | | | |
|---|---|--|
| <input type="checkbox"/> Information above complete | <input type="checkbox"/> AR Flood Waiver required | <input type="checkbox"/> Planning Approval |
| <input type="checkbox"/> Violation files checked | <input type="checkbox"/> Flood Elevation Certificate Required | <input type="checkbox"/> Design Review Approval |
| <input type="checkbox"/> Standard setbacks | <input type="checkbox"/> Water Development Infill Area | <input type="checkbox"/> Special Fee Districts Apply : _____ |
| <input type="checkbox"/> County Sewer | | |

NEW STRUCTURES & ADDITIONS

◆ THE FOLLOWING MUST BE PROVIDED IN ORDER TO SUBMIT FOR PLAN REVIEW

- | | |
|---|---|
| <input type="checkbox"/> 2 COMPLETE PLANS, LEGIBLE & DRAWN TO SCALE | ◆ Plans to include: site plan, floor plan, elevations, roof/ceiling plan, foundation and structural framing details, and structural calculations for non-conforming structures. |
| <input type="checkbox"/> 3 SETS IF PROJECT IS IN A DESIGN REVIEW AREA | |
| <input type="checkbox"/> Title 24 Energy Compliance documentation | <input type="checkbox"/> 11" x 17" copy of floor plan for County Assessor |
| <input type="checkbox"/> Grading and Erosion Control Questionnaire | <input type="checkbox"/> Plan Review Fees |

Date: _____

Received by: (staff) _____

ACTIVITY/PERMIT # _____

KWIKKOTE
STUCCO SYSTEM
INSTALLATION CARD

3607

Beazer Homes

Belvedere Lot 38

38 Beaucanon Court Sacramento

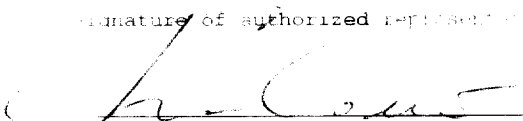
Stucco System Trade Name: KWIK KOTE
Name Stucco Manufacturer: KWIK KOTE CORP
ICBO Evaluation Service, Inc. Report No. 3607
Date of Job Completion _____

Stucco Contractor Kenyon Plastering, Inc.
Name John W. Kenyon, III
Address P.O. Box 2077
North Highlands, CA 95660
Telephone # (916) 349-8191

Approved Contractor Number as issued by the Stucco Manufacturer: 1

This is to certify that the stucco system on the building exterior at the above address had been installed in accordance with the evaluation report specified above and the manufacturer's instructions.

Signature of authorized representative of stucco contractor:



Date: 2-25-01

Builder Copy

CERTIFICATION OF INSULATION

ADDRESS OF TRACT

SACRAMENTO INSULATION CONTRACTORS

BENZER
29 Beaumont
BELLE FLUET

LOT #

0058

- P.O. BOX 854, WEST SACRAMENTO, CA 95691 LIC. #202026
- 1309 MELODY ROAD, MARYSVILLE, CA 95901 LIC. #202026
- P.O. BOX 9651, FRESNO, CA 93793-9651 LIC. #202026
- P.O. BOX 1631, RENO, NV 89505 LIC. #10675
- 3326 A PONDEROSA WAY, LAS VEGAS, NV 89118 LIC. #10675

DATE INSULATION COMPLETED

PART GENERAL

PART II AREAS INSULATED

WALLS		CEILING			FLOORS	
(SQUARE FEET)		(SQUARE FEET)			(SQUARE FEET)	
TYPE OF INSULATION		TYPE OF INSULATION			TYPE OF INSULATION	
MATERIAL FIBERGLASS		MATERIAL FIBERGLASS			MATERIAL FIBERGLASS	
FORM BATTS		FORM BATTS & BLOW			FORM BATTS	
MANUFACTURER'S PRODUCT I D		MANUFACTURER'S PRODUCT I D			MANUFACTURER'S PRODUCT I D	
MANUFACTURER		MANUFACTURER			MANUFACTURER	
OCF		OCF			OCF	
BAGS						
R-VALUE INSTALLED	APPLIED THICKNESS	R-VALUE INSTALLED	APPLIED THICKNESS	MIN. INSTALLED WEIGHT PER SQUARE FOOT	R-VALUE INSTALLED	APPLIED THICKNESS
13	3 5/8"	30 30	9" 12"			

KNEE WALLS IF R-VALUE IS OTHER THAN WALLS ABOVE

MATERIAL FIBERGLASS	FORM BATTS	R VALUE	MANUFACTURER OCF
----------------------------	-------------------	---------	-------------------------

AIR INFILTRATION SEALANT

MATERIAL FOAM	MANUFACTURER W R GRACE
----------------------	-------------------------------

THE INSULATION AND SEALANT HAS BEEN INSTALLED IN CONFORMANCE WITH APPLICABLE CODES, MATERIAL SPECIFICATIONS AND REGULATIONS.

SIGNATURE - INSULATION CONTRACTOR <i>[Signature]</i>	TITLE MANAGER	DATE 7-19-01
SIGNATURE - GENERAL CONTRACTOR	TITLE	DATE

REMARKS

CERTIFICATION OF INSULATION

PART I GENERAL
PART II AREAS INSULATED

ADDRESS OR TRACT

SACRAMENTO INSULATION CONTRACTORS

BEAZER

LOT # 0038

- P. O. BOX 854, WEST SACRAMENTO, CA 95691 LIC. #202026
- 1309 MELODY ROAD, MARYSVILLE, CA 95901 LIC. #202026
- P. O. BOX 9651, FRESNO, CA 93793-9651 LIC. #202026
- P. O. BOX 1631, RENO, NV 89505 LIC. #10675
- 3326 A PONDEROSA WAY, LAS VEGAS, NV 89118 LIC. #10675

BELLE FLUET

DATE INSULATION COMPLETED

WALLS		CEILINGS			FLOORS	
(SQUARE FEET)		(SQUARE FEET)			(SQUARE FEET)	
TYPE OF INSULATION		TYPE OF INSULATION			TYPE OF INSULATION	
MATERIAL FIBERGLASS		MATERIAL FIBERGLASS			MATERIAL FIBERGLASS	
FORM BATTS		FORM BATTS & BLOW			FORM BATTS	
MANUFACTURER'S PRODUCT ID		MANUFACTURER'S PRODUCT ID			MANUFACTURER'S PRODUCT ID	
MANUFACTURER		MANUFACTURER			MANUFACTURER	
OCF		OCF			OCF	
R - VALUE INSTALLED	APPLIED THICKNESS	R - VALUE INSTALLED	APPLIED THICKNESS	MIN. INSTALLED WEIGHT PER SQUARE FOOT	R - VALUE INSTALLED	APPLIED THICKNESS
13	3 5/8"	30 30	9" 12"			
KNEE WALLS IF R-VALUE IS OTHER THAN WALLS ABOVE						
MATERIAL FIBERGLASS		FORM BATTS		R VALUE		MANUFACTURER OCF
AIR INFILTRATION SEALANT						
MATERIAL FOAM				MANUFACTURER W R GRACE		

THIS IS TO CERTIFY THAT INSULATION AND/OR SEALANT HAS BEEN INSTALLED IN CONFORMANCE WITH APPLICABLE CODES, MATERIAL STANDARDS AND REGULATIONS.

SIGNATURE - INSULATION CONTRACTOR <i>Bill Gray</i>	TITLE MANAGER	DATE 2-19-01
SIGNATURE - GENERAL CONTRACTOR	TITLE	DATE

REMARKS

Norman
Scheel
Structural
Engineer

Sacramento
5022 Sunrisc Blvd.
Fair Oaks, CA 95628
(916) 536-9585
(916) 536-0260 (fax)

NORMAN SCHEEL
Structural Engineer
Email: norm@nsse.com

ROBERT COON
Project Manager
Email: rob@nsse.com

PAULO IBANEZ
Project Manager
Email: paulo@nsse.com

TIM SLOAN
Project Manager
Email: tim@nsse.com

STEVE COOKSEY
CAD Supervisor
Email: steve@nsse.com

STACY MARLIN
Office Manager
Email: stacy@nsse.com

Davis
213 E Street Suite B
Davis, CA 95616
(530)753-5300
(530)753-5380(fax)

TRACY HARRIS P.E.
Project Engineer
Email: tracy@nsse.com

DARRELL PEREIRA
Design Engineer
Email: darrell@nsse.com

December 21, 2000

Beazer Homes
3009 Douglas Blvd. Suite 150
Roseville, CA 95661

**Re: Bellefleur – Plan 2516 (Job #20234)
Revision to Detail @ Garage**

To Whom It May Concern:

This letter is to clarify that the backing with the LPT4 at 12" o.c. is acceptable based on the field sketch provided by Beazer Homes.

If you have any questions please call Rob Coon.

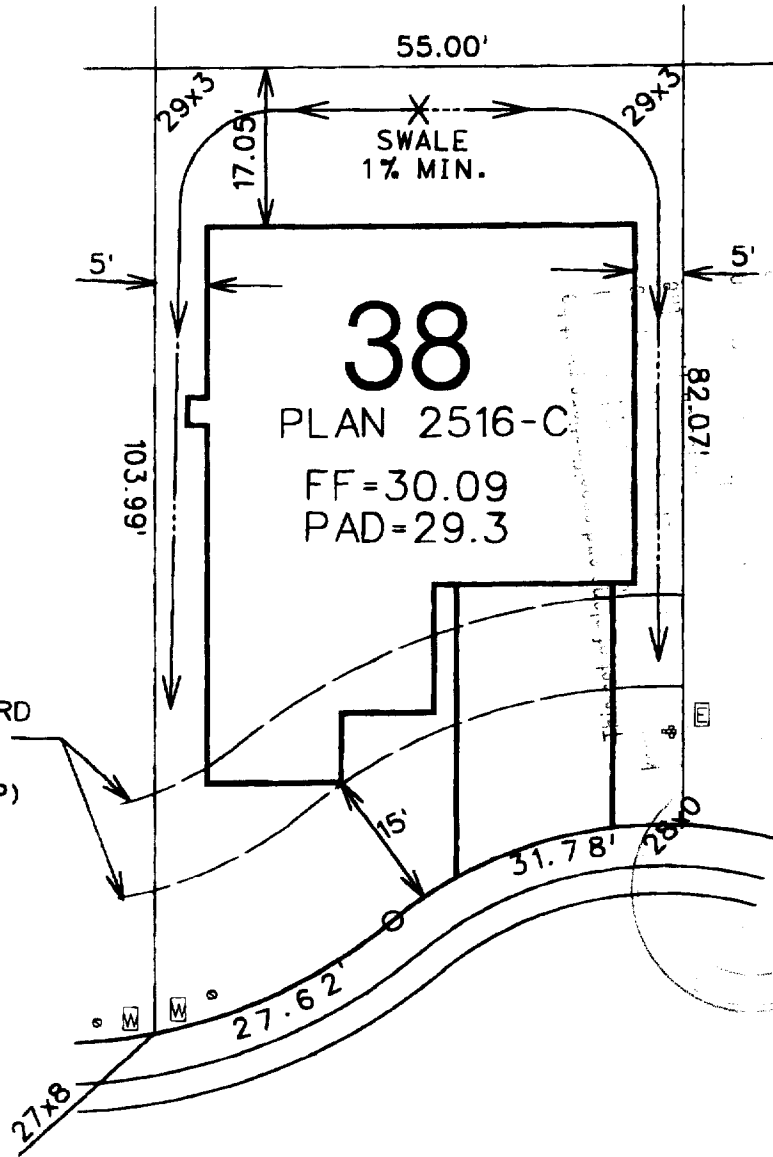

NORMAN SCHEEL
STRUCTURAL ENGINEER



THIS PLOT PLAN IS NOT FOR SALES PURPOSES. THIS PLOT PLAN IS FOR THE PURPOSES OF INDICATING COMPLIANCE WITH ZONING SET BACKS, GENERAL DRAINAGE DIRECTION, AND APPROXIMATE UTILITY CONNECTION. ALL OTHER DATA SHOWN HEREON IS CONCEPTUAL. THIS PLOT PLAN DOES NOT REFLECT AS-BUILT CONDITION. RETAINING WALLS ARE OPTIONAL AND MAY OR MAY NOT BE CONSTRUCTED.

- W — WATER METER BOX
- E — ELECTRICAL BOX
- U — UTILITY RISERS
- S — SEWER CLEANOUT

ROUTING/APPROVAL		INITIALS
President	✓	
Project Development		
Construction	✓	



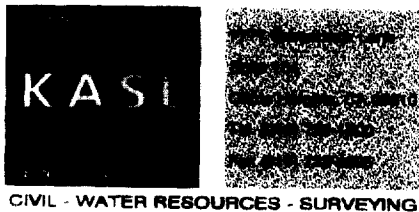
FRONT YARD VARIABLE SETBACK 15'-26'(TYP)



SCALE: 1"=20'

BEAUCANON CT.

5030 SQUARE FEET



PLOT PLAN FOR LOT 38 JACINTO VILLAGE SOUTH A.P.N.117-1360-038 ADDRESS: COUNTY: SACRAMENTO	SCALE: 1"=20'
	DATE: 08-28-00
	REVISED:
	DRAWN BY: PRA
	CHK'D. BY: LK
	W.O. 0435-01