

CITY OF SACRAMENTO
1231 I Street, Sacramento, CA 95814

Permit No: 9905302
Insp Area: 4

Site Address: 3521 WEST RIVER DR SAC
Parcel No: 274-0490-024 NATOMAS WEST LOT 24

Sub-Type: NSFR
Housing (Y/N): N

CONTRACTOR
KAUFMAN & BROAD
151 NORTH SUNRISE AV #1012
ROSEVILLE CA 95661

OWNER

ARCHITECT

Nature of Work: NEW HOME, MP1929, 9 ROOMS

CONSTRUCTION LENDING AGENCY : I hereby affirm under penalty of perjury that there is a construction lending agency for the performance of the work for which this permit is issued (Sec. 3097, Civ. C).

Lender's Name _____ Lender's Address _____

LICENSED CONTRACTORS DECLARATION: I hereby affirm under penalty of perjury that I am licensed under provisions of Chapter 9 (commencing with section 7000) of Division 3 of the Business and Professions Code and my license is in full force and effect.

License Class h License Number 44900 Date 2/12/99 Contractor Signature [Signature]

OWNER-BUILDER DECLARATION: I hereby affirm under penalty of perjury that I am exempt from the contractors License Law for the following reason (Sec. 7031.5, Business and Professions Code; any city or county which requires a permit to construct, alter, improve, demolish, or repair any structure, prior to its issuance, also requires the applicant for such permit to file a signed statement that he or she is licensed pursuant to the provisions of the Contractors License Law (Chapter 9 (commencing with Section 7000) of Division 8 of the Business and Professions Code) or that he or she is exempt therefrom and the basis for the alleged exemption. Any violation of Section 7031.5 by any applicant for a permit subjects the applicant to a civil penalty of not more than five hundred dollars (\$500.00):

____ I, as a owner of the property, or my employees with wages as their sole compensation, will do the work, and the structure is not intended or offered for sale (Sec. 7044, Business and Professional Code: The Contractors License Law does not apply to an owner of property who builds or improves thereon, and who does such work himself or herself or through his/her own employees, provided that such improvements are not intended or offered for sale. If, however, the building or improvement is sold within one year of completion, the owner-builder will have the burden of proving that he/she did not build or improve for the purpose of sale.)

____ I, as owner of the property, am exclusively contracting with licensed contractors to construct the project (Sec. 7044, Business and Professions Code: The Contractors License Law does not apply to an owner of property who builds or improves thereon, and who contracts for such projects with a contractor(s) licensed pursuant to the Contractors License Law).

____ I am exempt under Sec. _____ B & PC for this reason: _____

Date _____ Owner Signature _____

IN ISSUING THIS BUILDING PERMIT, the applicant represents, and the city relies on the representation of the applicant, that the applicant verified all measurements and locations shown on the application or accompanying drawings and that the improvement to be constructed does not violate any law or private agreement relating to permissible or prohibited locations for such improvements. This building permit does not authorize any illegal location of any improvement or the violation of any private agreement relating to location of improvements.

I certify that I have read this application and state that all information is correct. I agree to comply with all city and county ordinances and state laws relating to building construction and hereby authorize representative(s) of this city to enter upon the abovementioned property for inspection purposes.

Date 2/12/99 Applicant/Agent Signature [Signature]

WORKER'S COMPENSATION DECLARATION: I hereby affirm under penalty of perjury one of the following declarations:
____ I have and will maintain a certificate of consent to self-insure for workers' compensation as provided for by Section 3700 of the Labor Code, for the performance of work for which the permit is issued.

____ I have and will maintain workers' compensation insurance, as required by Section 3700 of the Labor Code, for the performance of the work for which this permit is issued. My workers' compensation insurance carrier and policy number are:

Carrier _____ Policy Number WC 188899094 Exp Date 3/1/2000

____ (This section need not be completed if the permit is for \$100 or less) I certify that in the performance of the work for which this permit is issued, I shall not employ any person in any manner so as to become subject to the workers' compensation laws of California and agree that if I should become subject to the workers' compensation provisions of Section 3700 of the Labor Code, I shall forthwith comply with those provisions.

Date 2/12/99 Applicant Signature [Signature]

WARNING: FAILURE TO SECURE WORKER'S COMPENSATION COVERAGE IS UNLAWFUL AND SHALL SUBJECT AN EMPLOYER TO CRIMINAL PENALTIES AND CIVIL FINES UP TO ONE HUNDRED THOUSAND DOLLARS (\$100,000) IN ADDITION TO THE COST OF COMPENSATION, DAMAGES AS PROVIDED FOR IN SECTION 3706 OF THE LABOR CODE, INTEREST AND ATTORNEY'S FEE.

THIS PERMIT SHALL EXPIRE BY LIMITATION IF WORK IS NOT COMMENCED WITHIN 180 DAYS.

Natomas Unified School District
 1515 Sports Drive, #1 • Sacramento, CA 95834-1905
 Phone 916/641-3300 • Fax 916/928-1629

CERTIFICATE OF COMPLIANCE

SCHOOL DISTRICT DEVELOPMENT FEES

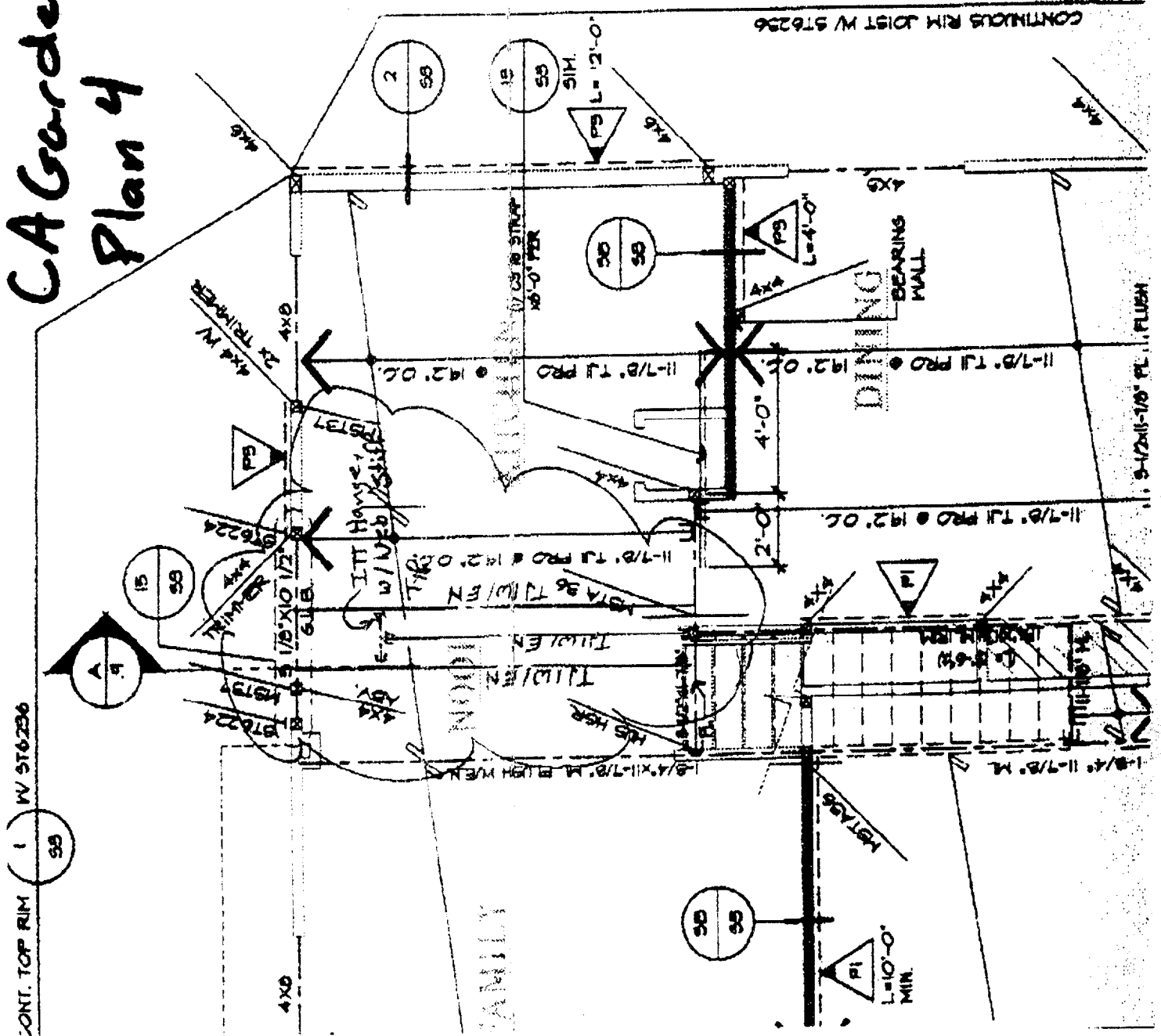
PART I: TO BE COMPLETED BY APPLICANT	
Property Owner's Name	Kaufman + Broad
Owner's Address	611 Orange Dr. Vacaville CA 95687
Project Address	3521 West River Dr. Lot 24
Parcel Number	PAR 4 N K N 000
Subdivision Name	Natomas West V. Hugel
Number of Units	1
Print Applicant's Name	D Collins
Title of Applicant	Owner
Date	5/23/99
Applicant's Signature	<i>[Signature]</i>
Telephone Number	791-1200
PART II: TO BE COMPLETED BY BUILDING DEPARTMENT	
Plan Identification Number	
Building Type (Check One)	
<input checked="" type="checkbox"/> Residential	<input type="checkbox"/> Apartment/Condominium
<input type="checkbox"/> Commercial/Industrial	
Square Feet of Chargeable Building Area	1925
Signature	<i>[Signature]</i>
Title	BT
Date	5-24-99
PART III: TO BE COMPLETED BY NATOMAS UNIFIED SCHOOL DISTRICT	
District Certification Number	99-348
Fees Collected:	
Residential:	1925 Sq. Ft. X \$ 1.93 = \$ 3715.25
Apartment/Condominium:	Sq. Ft. X \$ = \$
Commercial/Industrial:	Sq. Ft. X \$ = \$
NOTICE TO APPLICANT: Pursuant to government code section 66020 (d), this will serve to notify you that the 90-day approval period in which you may protest the fees, or other payment identified above, will begin to run on the date in which the building or installation permit for this project is issued, or on which they are paid to the District, or to another public entity authorized to collect them on behalf of the District, whichever is earlier.	
Applicant Signature: _____	Date: _____

This certification covers only the amount of square footage indicated above. Any additions or corrections to the square footage for this project will require an amendment to the Certificate of Compliance.

As the authorize Natomas Unified School District official, I hereby certify that the requirements of Government Code Section 95995 have been complied with by the above signed applicant.

SIGNATURE: *[Signature]* DATE: 6-1-99
 TITLE: Facilities Planner

CA Gardens Plan 4



1' to 6' span 4x2
 6' to 8' span 4x10
 Supporting ROOF & FLOOR

2x4 Nail

up to 4' span 4x6
 4' to 6' span 4x10
 6' to 8' span 4x12

4. BEAM HANGER, Hangers for beams where not specified, contractor shall unless approved otherwise by C.A.

(2)2x BeamHeader, H
 4x BeamHeader, H
 6x BeamHeader, N
 9-1/8x 6LB BeamHeader, N
 5-1/8x 6LB BeamHeader, N
 6-3/4x 6LB BeamHeader, N

5. SHEATHING, Panels for floor sheath; Floor sheathing over 2x dimension over 1" joints or expansion shall be thickness and span rating shall be:

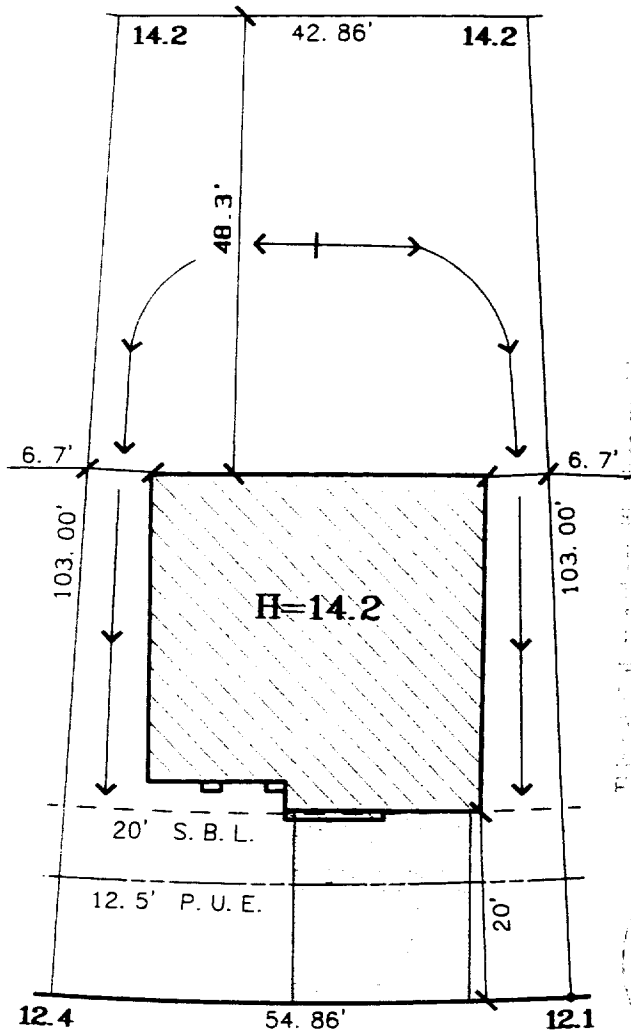
- for joists spaced 16" o.c., 14/32" with APA span rating
- 5/8" with APA span rating
- 3/8" with APA span rating
- 5/4" with APA span rating
- for joists spaced 19.2" o.c., 5/8" with APA span rating
- 5/4" with APA span rating

6. SHEAR, For joists spaced 24" o.c., 5/4" with APA span rating

7. STUDS, Collector Joists, All top-flush joists receive sheathing edge nailing (5 length).

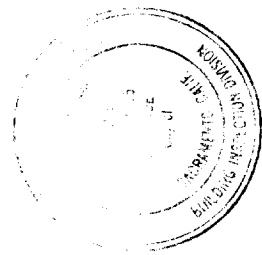
8. FLOOR HOLDERS, U.N.O. all hold-downs shall be applied across the 2nd framing member above and below.

9. INTERIOR WALLS & BEARING, When supporting 2 stories above, DP-Larch #2 or better at 16" o.c. up to 10' Tall; 2x4 studs at 16" grade or better. More than 10' Tall; 2x6 studs unless called out differently on

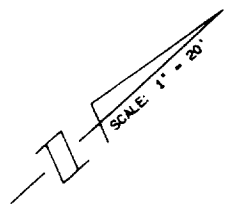


This plan is prepared for the purpose of showing the location of the proposed structure. It is intended to make any changes or alterations from the same without written permission from the Building Inspection Division.

The approval of this plan and specification SHALL NOT be held to permit or approve the violation of any City Ordinance or State Law.



WEST RIVER DRIVE



DATE: 5-10-99
 A.P.N.:
 ADDRESS: 3521 WEST RIVER DRIVE

LOT AREA: 5,053 SF
 LOT COVERAGE: 24%

The Splink Corporation
 2590 VENTURE OAKS WAY
 SACRAMENTO, CA 95833
 PH (916)925-5550 FAX (916)921-9274

NATOMAS WEST
 VILLAGE 1
 LOT 24
 PLAN 4C

CALIFORNIA GARDENS
 CITY OF SACRAMENTO, CA
 CLIENT: KAUFMAN & BROAD